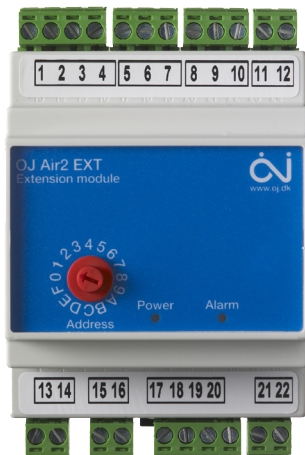


OJ Air2 AHU control system



OJ-Air2Ext

- Functional extension
- For building into heating/cooling section
- Two temperature measurements
- Two analogue inputs & outputs
- Two digital inputs & outputs
- QuickPlug™ installation

The OJ Air2 system has been specially designed to control air handling units and forms a complete control system where all components are fully integrated and optimised.

The OJ-Air2Ext is an extension module that is used in air handling units with high functionality, where extra components have been incorporated that need to be controlled and monitored.

With the OJ-Air2Ext, the OJ Air2 system can be scaled up to precisely what your customer needs.

For example, the module can be built into heating or cooling sections, and the customer pays for accessories as needed.

The functions are programmed

The OJ-Air2Master contains a large number of functions that have been thoroughly tested and are ready for use. If the application concerned requires use of the more advanced functions, then the number of inputs and outputs can be expanded with the OJ-Air2Ext.

Customer-specific units

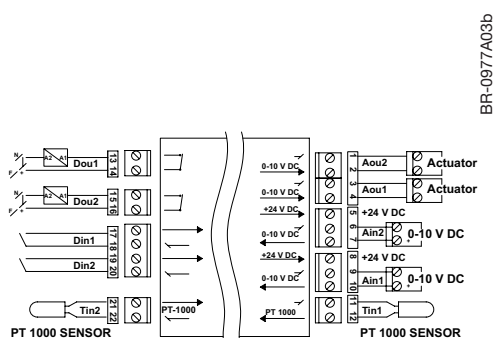
If the air handling unit has been delivered from the factory with all heating coils, cooling coils, dehumidification and humidification built-in, then the OJ-Air2Ext is installed in the unit, which results in the simplest cabling.

Up to 5 modules can be used simultaneously, and the modules are configured intuitively via the built-in Web server in the OJ-Air2Master.

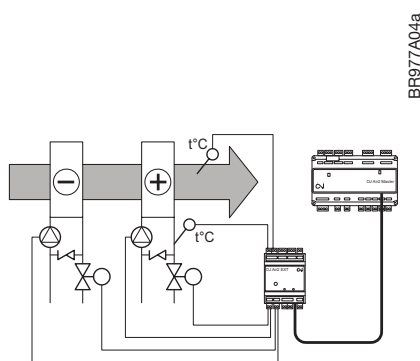
Compact units

If the OJ Air2 system is used in compact units, where heating, cooling, dehumidification and humidification are sold as loose accessory sections, the OJ-Air2Ext can be built into the individual sections. The OJ Air2 software can even by agreement be customer-adapted specifically to your sections, so that they are automatically configured upon being connected.

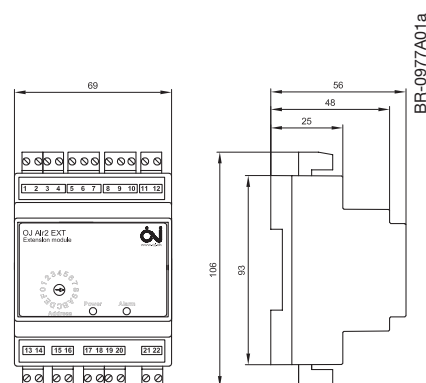




Connection



Application example



Dimensioned drawing

Simple installation

The OJ-Air2Ext is connected to the OJ-Air2Master with QuickPlug™ Modbus, eliminating time-consuming installation faults and troubleshooting. All control and monitoring signals in a section can be connected to the OJ-Air2Ext so the only connection to the section is the QuickPlug™ Modbus cable.

INSTALLATION

Installation of the module

The OJ-Air2Ext should be installed on an 35 mm DIN rail in an enclosure that corresponds to the classification of the installation location. Typical placement is together with the OJ-Air2Master or in a heating/cooling section. Power for the OJ-Air2Ext is supplied via the QuickPlug™ Modbus cable.

Cable connections

Cables are connected to screw terminals for wires of max. 1.5 mm². OJ Air2 system components are connected via QuickPlug™ Modbus connections using a standard telecom cable, e.g. INEC TD6006, fitted with RJ12 connectors.

PRODUCT PROGRAMME

TYPE	PRODUCT
OJ-Air2Ext	I/O extension module
OJ-Air2Master	AHU controller
OJ-Air2-HMI-35T	OJ Air2 touch control panel
OJ-DV-xxxx	Fan drive, 0.5 to 15 kW
DRHX-xxxx	Rotor controller with step motor
OJ-Air2FanIO	Double pressure transmitter with fan and damper interface
xTH-xxxx	QuickPlug™ transmitters
ETF-xx98	PT1000 temperature sensors

TECHNICAL DATA

Supply voltage	24 V DC ±15% via QuickPlug™
Power consumption	< 2.4 W
Electrical connection	max. 1.5 mm ² , screw terminals
QuickPlug™ Modbus	2 x RJ12 (6P6C)
Digital inputs	2 x internal pull-up
Digital outputs	2 x potential-free relays, 230 V AC 5 A
Analogue inputs	2 x 0-10 V DC
Analogue outputs	2 x 0-10 V DC
+24 V DC outputs	2 x max. 10 mA
Sensor inputs	2 x PT1000
Amb. operating temperature	0/+50°C
Dimensions	70 x 90 x 58 mm
Enclosure	IP20, ABS
Weight	160 g

CE marking

OJ-Air2Master complies with the requirements of the following directives:

EMC Directive	Low Voltage Directive
EN-61000-6-2	EN 60730-1
EN-61000-6-3	