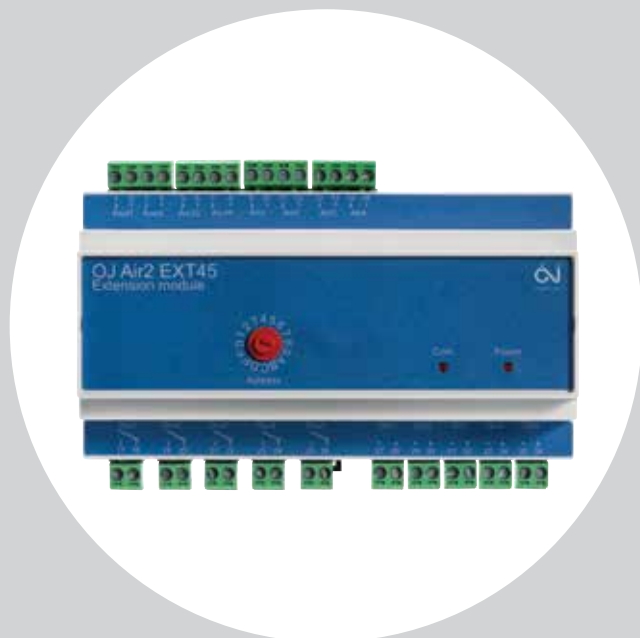


OJ Air2 AHU control system



OJ-Air2Ext45

- General functional extension
- For building into DX cooling section
- Control of four compressors
- Evaporating pressure
- Condenser pressure
- QuickPlug™ installation

The OJ Air2 system has been specially designed to control air handling units and forms a complete control system where all components are fully integrated and optimised.

The OJ-Air2Ext45 is an extension module that is used in air handling units with a high level of functionality, where for example a DX cooling section is included.

With the OJ-Air2Ext45, the OJ Air2 system can be scaled up to precisely what your customer needs.

For example, the module can be built into heating or cooling sections, and the customer pays for accessories as needed.

DX cooling is standard in the OJ Air2 system

Control of two DX cooling circuits with up to four compressors is built into the OJ-Air2Master. The OJ-Air2Ext45 is specially well-suited for this application with relay outputs for operation of compressors.

General functional extension

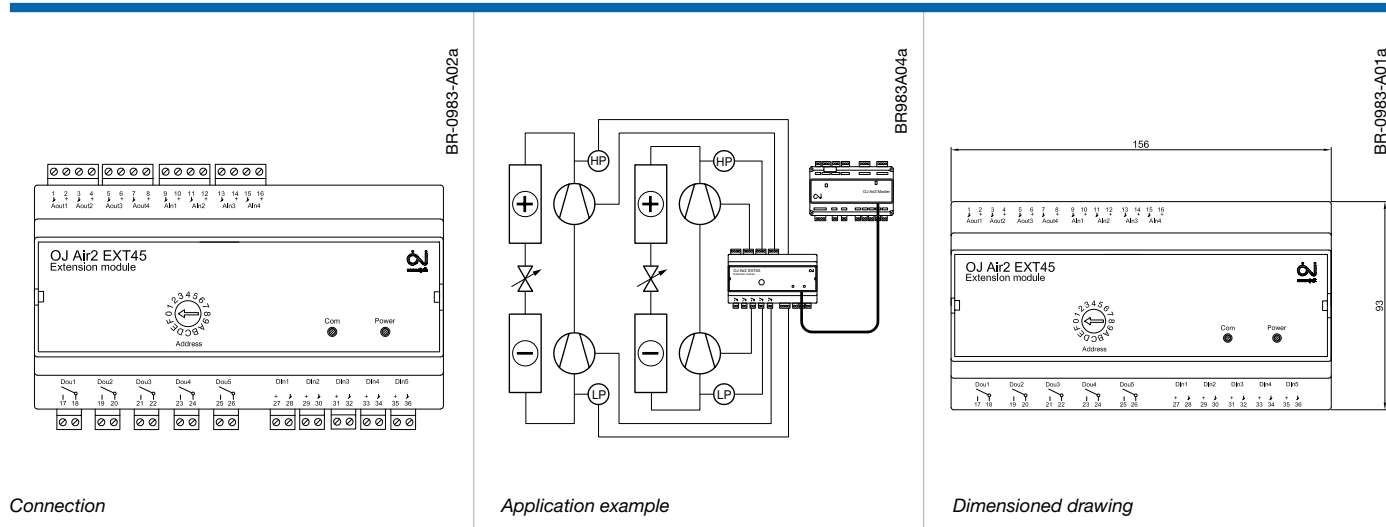
The OJ-Air2Master contains a large number of functions that have been thoroughly tested and are ready for use. If the application concerned requires use of the more advanced functions, then the number of inputs and outputs can generally be expanded with the OJ-Air2Ext45.

Rotary selector as an option

If the customer has for example a need to control the operation with a simple rotary selector, then such can be connected via the OJ-Air2Ext45, which has five digital inputs.

A selector with the positions Stop, Low speed, Medium speed, High speed and Auto has never been easier to offer as an option.





Connection

Application example

Dimensioned drawing

Simple installation

The OJ-Air2Ext45 is connected to the OJ-Air2Master with QuickPlug™ Modbus, eliminating time-consuming installation faults and troubleshooting. All control and monitoring signals in a section, for example a DX cooling section, can be connected to the OJ-Air2Ext45 so the only connection to the section is the QuickPlug™ Modbus cable.

INSTALLATION

Installation of the module

The OJ-Air2Ext45 should be installed on a 35 mm DIN rail in an enclosure that corresponds to the classification of the installation location. Typical placement is together with the OJ-Air2Master or in a DX cooling section. Power for the OJ-Air2Ext45 is supplied via the QuickPlug™ Modbus cable.

Cable connections

Cables are connected to screw terminals for wires of max. 1.5 mm². OJ Air2 system components are connected via QuickPlug™ Modbus connections using a standard telecom cable, e.g. INEC TD6006, fitted with RJ12 connectors.

PRODUCT PROGRAMME

TYPE	PRODUCT
OJ-Air2Ext45	I/O extension module
OJ-Air2Master	AHU controller
OJ-Air2-HMI-35T	OJ Air2 touch control panel
OJ-VD-xxxx	Fan drive, 0.5 til 15 kW
RHX2M-xxxx	Rotor controller with step motor
OJ-Air2Lon	LON extension module
OJ-Air2FanIO	Double pressure transmitter with fan and damper interface
xTH-xxxx	QuickPlug™ transmitters
ETF-xx98	PT1000 temperature sensors

TECHNICAL DATA

Supply voltage	24 V DC ±10% via QuickPlug™
Power consumption	< 4.5 W
Electrical connection	max. 1.5 mm ² , screw terminals
QuickPlug™ Modbus	2 x RJ12 (6P6C)
Digital inputs	5 x internal pull-up
Digital outputs	5 x potential-free relays, 230 V AC 5 A Cos φ > 0.4
Analogue inputs	4 x 0-10 V DC
Analogue outputs	4 x 0-10 V DC
Amb. operating temperature	0/+40°C
Dimensions	156 x 93 x 56 mm
Enclosure	IP20, ABS
Weight	210 g

CE marking

OJ-Air2Master complies with the requirements of the following directives:

EMC Directive	Low Voltage Directive
EN-61000-6-2	EN 60730-1
EN-61000-6-3	