

OJ Microline® Touch



MCD5-1999

- 2" colour touch display
- User-friendly interface
- Energy monitoring
- QR-code read outs
- Compatible with existing floor sensors

“All-in-one” clock thermostat for electric underfloor heating creates optimal comfort temperature and the lowest possible energy consumption.

- Easy touch menu navigation
- 12 different language choices
- Set and forget! Adaptive control for comfort temperature when required - prepared for the new EU ECO directive requirements.
- Snap-mount front cover for easy installation
- Compatible with existing floor sensors, making it the best choice for renovations
- Built-in holiday calendar and clock function for automatic comfort and setback
- Automatically adjusts to daylight saving time
- 5-year battery backup of clock and calendar
- QR-code read outs for easy handling and support
- Power measurement for optimal energy management

Thermostat control

Electronic thermostat for temperature control via a sensor placed either externally in the floor or built into the thermostat.

Built-in clock/calendar with battery backup

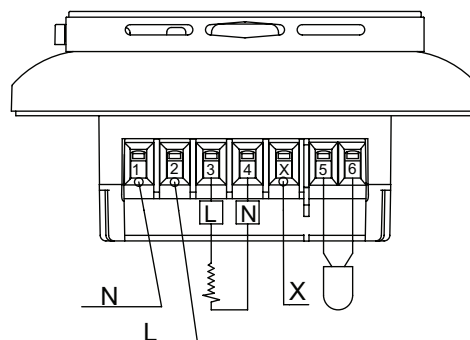
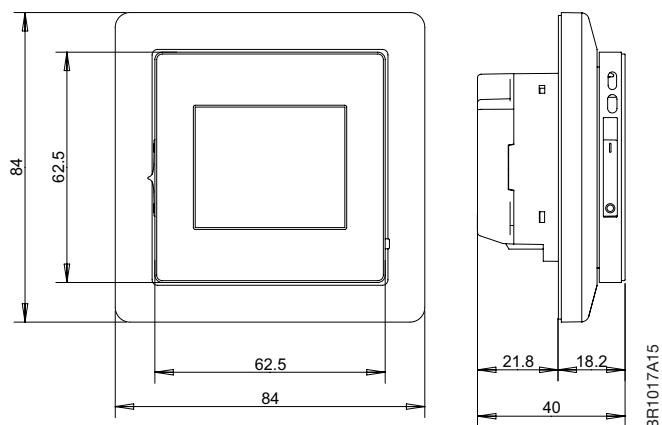
Includes 4- and 6-event program for automatic comfort and setback temperature. Up to 7 different program combinations can be created, where a program consists of working day and home days.

Colour display

Unique user interface with new menus and touch-based navigation for easy programming and read-outs.



Save up to 36% CO₂



BR1017A16

Monitoring of energy consumption

Total switch-on can be read-out for overall energy consumption monitoring.

Factory-set of events

The thermostat is delivered with factory-set programs:

DAY 1-5 (working days)

EVENT TIME	TEMPERATURE
1 06:00-08:00	Comfort 20 °C
2 08:00-16:00	Setback 15 °C
3 16:00-23:00	Comfort 20 °C
4 23:00-06:00	Setback 15 °C

DAY 6-7 (home days)

EVENT TIME	TEMPERATURE
1 06:00-23:00	Comfort 20 °C
4 23:00-06:00	Setback 15 °C

Individual programming of events

The factory-set periods and/or temperatures can be adjusted as necessary.

The following programs can also be selected

Choose between 4- or 6-event scheduler.

Up to seven different event program combinations can be used. Choose between method “work-/home-days” or “individual days” programming.

Comfort mode

The room temperature can be temporarily changed for a selected number of hours. The thermostat will then return to the scheduled event program.

Manual mode

The scheduled event program can be cancelled for constant temperature operation.

Holiday mode

Program a planned holiday period and the thermostat will start automatically. The thermostat will automatically set the temperature set point to 5 °C during the entire holiday period programmed.

Boost mode

Activate a boost period of one hour to rapidly increase the temperature. The thermostat will then return to normal operation.

Frost protect mode

Frost protection mode can be activated if no heat is needed. (Ensures no frost damages at low temperatures).

ECO mode

The lowest set point programmed in the schedule will by activating the ECO Mode be used permanently until the ECO Mode is deactivated.

TECHNICAL DATA

Supply voltage	100-240 V AC, 50/60 Hz
Standby power	< 0.5 W
Output relay SPST	16 A, resistive load or 1 A inductive load
Interrupter	2-pole, 16 A
Floor limit range	+5/+40 °C
Clock function	Up to seven different 4- or 6-event program combinations
Battery backup	Settings forever 5 years for Clock and Calendar
Ambient temperature	0/+40 °C during operation
On/Off differential	0.4 °C
Regulation principle	PWM / PI
Housing	IP21
Standard sensor type	NTC (12 K Ω) 3 m. Thermostat compatible with existing common sensors on the market
Dimensions (H/W/D)	84/84/40 mm (21.8 mm depth)
Display	220 x 176 pixel TFT - Color resistive touch
EU Registered Design	Yes

Approvals: CE, VDE, BEAB, NEMKO