

Thermostat for Heating Cable in Gutters



ETR

- Electronic on/off control up to 16A / 3,600W.
- 3 LEDs show actual operation.
- Adjustable start/stop differential.
- Delivered incl. outdoor sensor.
- For DIN-rail mounting.

Application:

The ETR is a thermostat for economical control of de-icing cables in gutters in smaller buildings e.g. family houses.

Icicles are formed within certain temperature ranges, and to neutralize this, heating cables are used where there is a tendency for ice to form. The critical temperature may be different from one building to another, or one position to another.

The ETR is easy adjustable, and LED indicators assist in setting up the correct temperatures.

Thermostat control:

Type ETR is an electronic on/off thermostat with control of temperature by means of an NTC sensor. The heating output is switched on and off with a differential of only 0.4°C. Red LED indicates when heating is on.

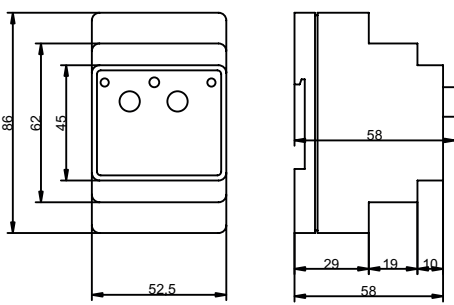
PRODUCT PROGRAMME

TYPE	PRODUCT
ETR/F-1447A	Thermostat with relay SPST 16A, incl. outdoor sensor
ETR/F-1447P	Thermostat with relay SPCO 10A, potential-free contact, incl. outdoor sensor
ACCESSORIES	
ETNK	Cover box for wall mounting
ETF-744/99	Outdoor sensor

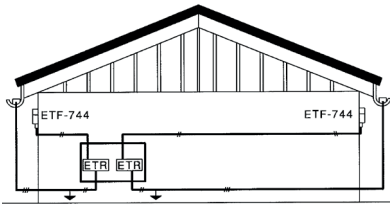


Intelligent Control
Maximum comfort with
low energy consumption

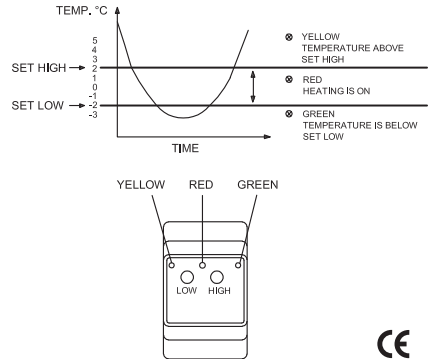
Save up to 36% CO₂



Dimensions (mm)



Mounting of outdoor sensor



Setting of min./max. temperature range

Adjustment of the system:

The system is installed as per the connection diagram. HIGH should be set to +2°C and LOW to -2°C.

When icing occurs, note which of the LEDs is energized:

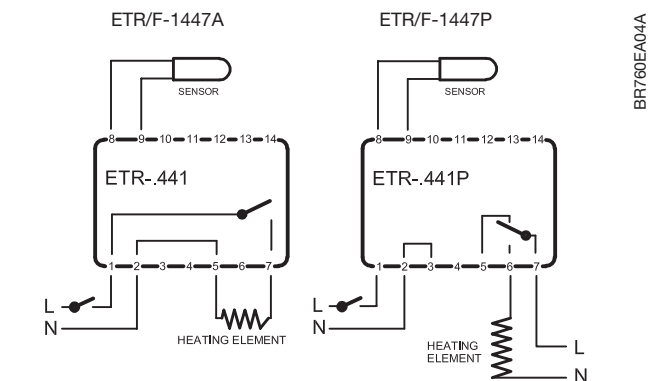
- If Yellow LED is energized, turn HIGH up until Red LED is energized.
- If Green is energized, turn LOW down until Red LED is energized.

After a few adjustments the correct setting will be achieved, and no icing will occur, irrespective of how cold the temperature will be. The system will function automatically with the minimum consumption of energy.

Note: If icing occurs while the Red LED is energized, the heating is either insufficient, or is interrupted.

TECHNICAL DATA

Supply voltage	230V ±10% 50/60 Hz
Output relay	ETR/F-1447A: SPST 16A, 3,600W ETR/F-1447P: SPCO potential-free 10A, max 2200W
On/off differential	0.4°C
Setting of min./max. temperature range	* HIGH (max. temp.): +10/0°C LOW (min. temp.): 0/-10°C LOW ETR/F-1447A: 0/-15°C
* Power consumption	3VA
Ambient temperature	-20/+50°C
Housing	IP20
Weight	190g
Dimensions (H/W/D)	86/52.5/58 mm
LEDS indicates:	Yellow - The sensor temperature is above the selected temperature range. Red - The relay is ON. Green - The sensor temperature is below the selected temperature range.



Connections

MOUNTING

Mounting of Thermostat

DIN-rail mounting in a switch board.
 A cover box for separate wall mounting is available.

Mounting of Outdoor Sensor

The sensor is mounted under the roof eaves.

