

INSTRUCTIONS

Type MCC2 / MCD2



57584A 10/12 - (KPA)

English

Type MCC2/MCD2 is an electronic on/off thermostat for control of temperature by means of an NTC sensor either placed externally or internally in the thermostat.

Type MCC2/MCD2 is for flush mounting in a wall socket.

Product programme

MCC2-1991-UA	Clock thermostat incl. floor sensor 3 m
MCC2-1999-UA	Clock thermostat with built-in room sensor
MCD2-1999-UA	Clock thermostat with built-in room sensor and incl. limitation sensor 3 m

Type MCC2-1991-UA

Mounting of floor sensor (fig. 3)

The floor sensor is used for temperature regulation in floor surfaces. For easy replacement the sensor can be mounted in a tube which is placed between two heating cables. The tube is ended towards the floor surface and sealed. If required, the sensor cable can be extended up to about 100 m. with a standard installation cable. Two leads in a multi lead cable, which is used as supply cable for the heating cable, must not be used. Voltage signals may occur which may disturb the thermostat function. If a screened cable is used, the screen must not be earthed but must be connected to terminal 6.

Type MCC2-1999-UA and MCD2-1999-UA

Mounting of thermostat with built-in sensor (fig. 4)

The room sensor is used for comfort temperature regulation in rooms. The thermostat is mounted on the wall with free air circulation about 1.6 m. above the floor. Draught, direct sunlight, or any other direct heating outlet must be avoided.

Type MCD2-1999-UA

Mounting of limitation sensor



Max. temperature limitation is used for protection of installation or construction against excessive temperature. The sensor is mounted at a place where excessive temperature may arise. Min. temperature is used for better heating comfort. The sensor is mounted as floor sensor.

Mounting of thermostat

1. Release the front cover **ONLY** by inserting a small screwdriver into the air grills on both sides of the thermostat (fig. 1). **DO NOT** open the thermostat by releasing the four fixing clips on the back.
2. Connect cables according to the diagram (fig. 2)
3. The thermostat is mounted in the wall socket. Please ensure that the adapter plate is properly clipped on the thermostat.
4. The cover and the frame are remounted.

Operation

The first time the thermostat is connected, time and day must be set:

- ☞  Setting of time
(the clock flashes during setting)
- ☞  Setting of day
(day flashes during setting)

Programming

See user manual.

Fault location

If the sensor is disconnected or short-circuited, the heating system is cut out. The sensor can be checked according to the resistance table (fig. 5)

Error codes

- E0: Internal error. The thermostat must be replaced.
- E1: Built-in sensor short-circuited or disconnected.
- E2: External sensor short-circuited or disconnected.

CE MARKING

According to the following standards,

- EMC: EN 61000-6-1: 2001
- EN 61000-6-3: 2001
- LVD: EN 60730-1
- EN 60730-2-9



CLASSIFICATION

The product is a Class II device (enhanced insulation) and the product must be connected to the following leads,

- Term. 1: Phase (L) 230 V $\pm 15\%$, 50/60 Hz
- Term. 2: Neutral (N)
- Term. 3-4: Load max. 16 A / 3600 W

Fig. 1

BR0929D07

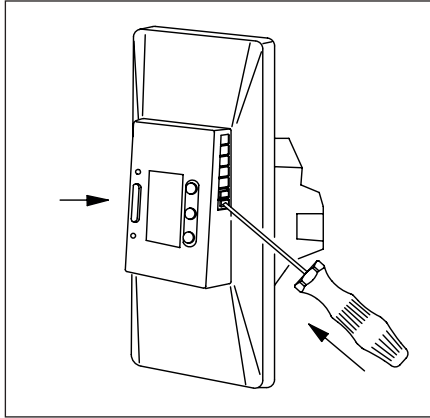


Fig. 2

BR0929D05b

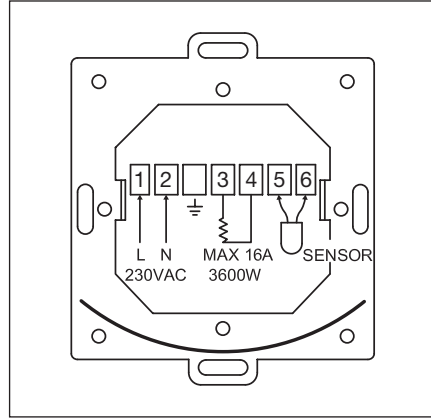


Fig. 3

BR0929D03

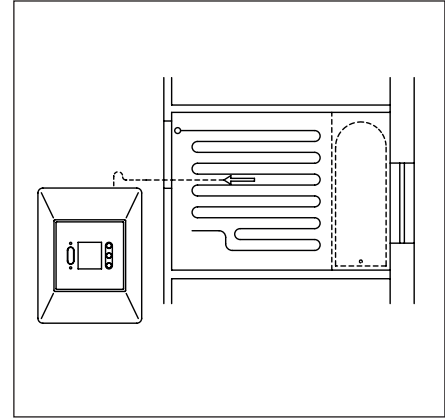


Fig. 4

BR0929D04

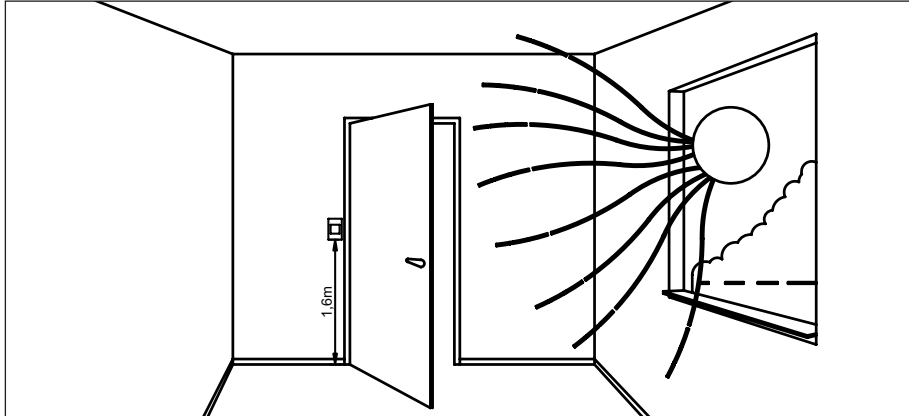


Fig. 5

BR0929A08

Sensor	
Temp.(°C)	Value (ohm)
-10	64000
0	38000
10	23300
20	14800
30	9700



57584A



OJ ELECTRONICS A/S
 Stenager 13B · DK-6400 Sønderborg
 Tel: +45 73 12 13 14 · Fax: +45 73 12 13 13
 oj@ojelectronics.com · www.ojelectronics.com