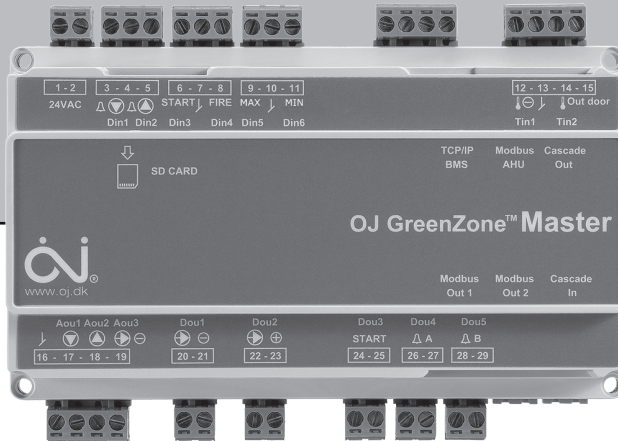




# OJ GreenZone™ Master



## INSTRUCTIONS

- English
- Deutsch
- Français
- Svenska
- Norsk
- Dansk

67229B 12/17 - (BCH)  
© 2017 OJ Electronics A/S

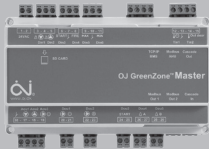
---

## **INSTRUCTIONS**

English.....	3 - 12
Deutsch .....	13 - 22
Français.....	23 - 32
Svenska.....	33 - 42
Norsk .....	43 - 52
Dansk .....	53 - 62

## **ILLUSTRATIONS**

Illustrations .....	63 - 74
---------------------	---------



English



## LIST OF FIGURES

The following figures are located at the back of the instructions:

- Fig. 1: OJ GreenZone™ Master
- Fig. 2: Dimensions, front view
- Fig. 3: Dimensions, side view
- Fig. 4: Overview of connectors in OJ GreenZone™ Master
- Fig. 5: Analogue outputs, 0-10 VDC
- Fig. 6: Digital outputs (Dou1 and Dou2)
- Fig. 7: Digital outputs (Dou3, Dou4 and Dou5)
- Fig. 8: RJ12 Modbus connector: Modbus Out1, Modbus Out2, Cascade In
- Fig. 9: Modbus cable connection
- Fig. 10: Connecting the power supply
- Fig. 11: Digital inputs (Din1...Din6)
- Fig. 12: Connecting PT1000 sensors
- Fig. 13: SD card reader
- Fig. 14: TCP/IP BMS, Modbus AHU, Cascade Out
- Fig. 15: Modbus Out1, Modbus Out2 and Cascade In
- Fig. 16: Electrical Modbus cascade configuration
- Fig. 17: Connector position overview
- Fig. 18: Connecting OJ GreenZone™ Modules
- Fig. 19: Configuration overview
- Fig. 20: Communication configuration
- Fig. 21: KNX configuration
- Fig. 22: Electrical connection when the AHU enables the zones
- Fig. 23: Electrical connection when the zones initiate the AHU
- Fig. 24: RJ12 Modbus connector: Modbus AHU and Cascade Out
- Fig. 25: Modbus connection to OJ-Air2 Master
- Fig. 26: Modbus connection to third party AHU
- Fig. 27: Configuration - Demand Controlled Ventilation
- Fig. 28: Configuration - Common extract
- Fig. 29: Configuration - Branch VAV
- Fig. 30: Configuration - Pressure protection

Fig. 31: Configuration - Slave in large room

Fig. 32 : Configuration - How to set the address?

## INTRODUCTION

OJ GreenZone™ Master is an electronic controller capable of controlling up to 25 VAV zones in a ventilation system. OJ GreenZone™ Master contains all the functions necessary to control up to 25 zones by means of OJ GreenZone™ Module. A maximum of five OJ GreenZone™ Masters can be connected in a fully expanded system. A fully expanded OJ GreenZone™ system can thus control up to 125 zones.

## DESCRIPTION

OJ GreenZone™ Master is the “intelligent” component in an OJ GreenZone™ system, while OJ GreenZone™ Modules simply control individual zones/rooms. OJ GreenZone™ Master and the connected Green Zone Modules are configured by means of the built-in web server.

OJ GreenZone™ Master contains a sophisticated function which optimises the control of fan speed and of the hot and/or cold water pump.

The control and comfort parameters of the OJ GreenZone™ Master can be accessed either via the built-in web server or by connecting the OJ GreenZone™ system to a Building Management System (BMS) from where it can be operated. The BMS communication protocol is either Modbus or BACnet. KNX components within the zones can be connected by means of the KNX/Ethernet converter. The OJ GreenZone™ Master communicates with the OJ GreenZone™ Modules in the connected zones by means of standard Modbus RS485. By combining a maximum of five OJ GreenZone™ Masters in a system where each Master controls up to twenty-five OJ GreenZone™ Modules, it is possible to control and regulate 125 individual zones/rooms.

Everyday operation can be accomplished via the built-in web server, a connected BMS system or a smartphone. See fig. 20.

## PRODUCT PROGRAMME

### Products from OJ Electronics

Type	Product
OJ-ZoneMaster	Master module for controlling max. 25 x OJ GreenZone™ Module M units
OJ-ZoneModule-M	Zone Module for control of one zone with Direct Modbus actuators
OJ-ZoneModule-A	Zone Module for control of one zone with 0-10 V actuators
OJ-ZoneModule-MP	Zone Module for control of one zone with MP Bus actuators
OJ-Air2PWR80	Voltage supply unit, 2x24 VAC, 2x60 VA
ETT-KH	Cover for OJ GreenZone™ Module M, wall mounting
PTH-6202	Pressure transmitter with Modbus
ETF-1798	PT1000 outdoor temperature sensor (°C)
ETF-598B-5	PT1000 outdoor temperature sensor (°C)
OJ-Air2Split	Modbus router, 4 x RJ12 connectors + 8 x 1.5 mm <sup>2</sup> terminals

### Products from other suppliers

Type	Product
Telephone cable, type: TD6006 Black	Telephone cable, 6-core, make: INEC
TE Connectivity telephone connector, RJ12	Modular telephone connector 6/6, RJ12 standard connector

### KNX products

Type	Product
Weinzierl, BAOS 772, KNX/IP	KNX TCP/IP gateway
Arcus -EDS, SK03-TFK	KNX sensor, room temperature, relative humidity
Arcus -EDS, AE-S8-CO2-TF	KNX sensor, room temperature, relative humidity, CO2
Arcus -EDS, SK03R-T	KNX sensor, room temperature, +/- °C offset
Arcus -EDS, SK01-T-KTF1	KNX sensor, temperature (duct mounting)
Züblin Elektro, Swiss Garde 360 KNX	KNX sensor, PIR motion sensor
Elsner Elektronik, KNX VOC-UP basic	KNX sensor, VOC sensor (wall mounting)
MDT technologies, KNX Binary Input	KNX input module for window and frost signals
GIRA, 2104	KNX sensor, room temperature, relative humidity, CO2

## INSTALLATION

OJ Zone Master should be fitted to a standard 35 mm DIN rail mounted in a metal enclosure corresponding to the installation site classification (see figs 2 and 3 for unit dimensions). An overview of the physical configuration of the system is given in fig. 19.

OJ GreenZone™ Master must be connected to a 24 VAC +/-15% power supply and is therefore equipped with screw terminals (max. 1.5 mm<sup>2</sup>) for the purpose. Other connections are made by means of a combination of RJ12 connectors and screw terminals for wires of max. 1.5 mm<sup>2</sup> cross-sectional area.

### Electrical connection (see overview in fig. 1)

In fig. 4, all connectors are marked with a letter (A – P).

See below for descriptions of electrical connection of the various components, inputs and outputs, and other signals of the OJ GreenZone™ Master.

### Connecting analogue outputs, marked “A” (see figs 4 and 5)

OJ GreenZone™ Master is equipped with three analogue outputs (0-10 VDC) (see figs 4 and 5).

Analogue output 1 is marked “**Aou1**” (terminal 17) and can be used to control the speed of the inlet fan of the ventilation system (main unit).

Analogue output 2 is marked “**Aou2**” (terminal 18) and can be used to control the speed of the exhaust fan of the ventilation system (main unit).

Analogue output 3 is marked “**Aou3**” (terminal 19) and can be used to control the speed of the cooling system circulation pump.

The shared ground connection (GND) is marked **J** (terminal 16).


In order to control the fans as energy-efficiently as possible, OJ GreenZone™ Module contains a built-in function which constantly optimises damper position. This optimisation ensures that duct pressure is always as low as possible, that the zones receive the correct air volume, and that no VAV zone damper is more than 80% open.


If there be a demand for cooling in at least one zone, the inlet temperature of the main unit is calculated according to the minimum setpoint setting in the OJ GreenZone™ Master. If there is no demand for cooling in any of the zones, the inlet temperature of the main unit is calculated according to the lowest calculated setpoint for the connected zones.

The speed of the cooling water circulation pump is controlled in such a way as to ensure sufficient pressure for the zone cooling valves to be at least 80% open. The pressure in the cooling system is thus reduced, also reducing the energy consumption of the cooling pump.

**Connecting digital outputs, marked “B and C”****– enabling signal, heating/cooling** (see figs 4 and 6)

OJ GreenZone™ Master is equipped with two potential-free digital outputs, which are activated when the zone is in heating status or cooling status respectively. Max. voltage on “Dou1” and “Dou2” is 230 V, and max. load is 5 A.

The output  (terminals 20-21) can be used to start the circulation pump of the cooling system (fig. 6).

The output  (terminals 22-23) can be used to start the circulation pump of the heating system (fig. 6).

**Connecting digital outputs, marked “D, E and F”****– operating signal and alarm relays** (see figs 4 and 7)

OJ GreenZone™ Master is equipped with three potential-free digital outputs, which are activated in the following circumstances:

Max. voltage on “Dou3”, “Dou4” and “Dou5” is 30 V, and max load is 5 A.

Output “**START**” (terminals 24-25) is activated when at least one zone is in operation (fig. 7).

Output “A  $\Delta$ ” (terminals 26-27) is activated when an A-alarm occurs in the zone system (fig. 7).



Output “B  $\Delta$ ” (terminals 28-29) is activated when a B-alarm occurs in the zone system (fig. 7).

**Connecting power supply, marked “G”** (see figs 4 and 10)

OJ GreenZone™ Master must be connected to a 24 VAC power supply via terminals 1 and 2 (see figs 4 and 10).

**Connecting digital inputs, marked “H, J and K”** (see figs 4 and 11)

OJ GreenZone™ Master is equipped with six digital inputs.

- Digital input 1 (“**Din1**”), terminals 3 and 4, is marked with this symbol  and is used for an alarm signal from the inlet fan. The alarm signal can be produced by an overload relay, a thermal fuse or similar. The alarm is triggered when the input is activated.
- Digital input 2 (“**Din2**”), terminals 4 and 5, is marked with this symbol  and is used for an alarm signal from the exhaust fan. The alarm signal can be produced by an overload relay, a thermal fuse or similar. The alarm is triggered when the input is activated.
- Digital input 3 (“**Din3**”), terminals 6 and 7, is marked with this symbol “**START**” and is used to change the status of all the connected zones.

When the input (“**Din3**”) is open, all zones are in standby mode, meaning that all VAV dampers are closed and the zones are forced to stop. The input can be used if it is the main unit which is to enable zone operation. Electrical connection, see fig. 22.

If the main unit is to be started by the first active zone, e.g. when motion is detected by a PIR sensor, the input (“**Din3**”) must be open. Electrical connection, see fig. 23.

- Digital input 4 (“**Din4**”), terminals 7 and 8, is marked with this symbol “**FIRE**” and is used to stop the main unit if there is a risk of fire. The alarm signal can be produced by a central fire alarm system, a fire thermostat, a mechanical smoke detector or similar. The alarm is triggered when the input is de-activated. System operating mode in the event of fire is set by the installer via the web user-interface and can be set to max. air volume and fully open VAV dampers or to zero air volume, fully closed VAV dampers and inactive main unit (see the installer instructions for further information).
- Digital input 5 (“**Din5**”), terminals 9 and 10, is marked with this symbol “**MAX**” and is used to force all connected VAV zone dampers to open to max. air volume when the input is activated (see the installer instructions for further information).
- Digital input 6 (“**Din6**”), terminals 10 and 11, is marked with this symbol “**MIN**” and is used to force all connected VAV zone dampers to close to min. air volume when the input is activated (see the installer instructions for further information).

**Connecting sensor inputs, marked “L”** (see figs 4 and 12)

OJ GreenZone™ Master is equipped with two PT1000 sensor inputs for connecting a temperature sensor in the cooling circuit /buffer tank for heating pump and an outdoor temperature sensor. The sensors are standard PT1000 sensors, e.g. type ETF-x98 from OJ Electronics.

The temperature sensor that measures the water temperature should be connected to terminals 12 and 13. The sensor may be of a type that measures the surface temperature of the cooling water pipe or a type intended for installation in a sensor socket.

The temperature sensor that measures outdoor temperature should be connected to terminals 13 and 14.

*NOTE! - Please note that terminal 15 has no function!*

**Connecting TCP/IP BMS connector, marked “N”** (see figs 4, 14 and 17)

OJ GreenZone™ Master is equipped with a standard RJ45 connector (see fig. 17) for connection to a TCP/IP network or directly to a BMS system (see fig. 14 and the “Communication protocol” section in these instructions).

The TCP/IP BMS connector is also used to access the built-in web server.

**Connecting Modbus AHU connector, marked “N”** (see figs 4, 14 and 17)

OJ GreenZone™ Master is equipped with one standard RJ12 connector (see terminal layout in fig. 24) for connecting an air handling unit (see fig. 17). The communication protocol is Modbus RS485 (see figs 14, 25 and 26 and the installer instructions for information on this product).

**Connecting CASCADE OUT connector, marked “N”** (see figs 4, 14 and 17)

OJ GreenZone™ Master is equipped with one standard RJ12 connector (see terminal layout in fig. 24) for connecting up to five OJ GreenZone™ Masters in a fully expanded OJ GreenZone™ system. OJ GreenZone™ Masters are connected in cascade as shown in fig. 16. The first OJ GreenZone™ Master is the system’s MASTER 1 and the “Cascade Out” connector is not used on this OJ GreenZone™ Master.

**Connecting CASCADE IN connector, marked “P”** (see figs 4, 14, 15 and 16)

See “CASCADE OUT” above (see terminal layout in fig. 8).

**Connecting Modbus Out1 and Modbus Out2 connectors, marked “P”**

(see figs 4, 15 and 17)

OJ GreenZone™ Master is equipped with two standard RJ12 connectors (see terminal layout in fig. 8) for connecting and linking OJ GreenZone™ Modules in an expanded OJ GreenZone™ system. A maximum of 25 OJ GreenZone™ Modules can be connected to one OJ GreenZone™ Master. See fig. 18. OJ GreenZone™ Modules are connected in series (daisy chain). Any number of OJ GreenZone™ Modules may be connected to each of the two Modbus connectors, “Modbus Out1” and “Modbus Out2”, so long as the maximum number of 25 OJ GreenZone™ Modules is not exceeded.

If more OJ GreenZone™ Modules are needed in the same system, an OJ GreenZone™ Master must be installed for each 25 OJ GreenZone™ Modules. See fig. 16.

**Protection against over/under pressure in ducts**

The pressure in the duct system can be limited/regulated by installing a PTH-3202 pressure transmitter in both the exhaust duct and inlet duct; see fig. 30 and 31.

Pressure transmitter P1 is installed in the exhaust duct with a tube connected - end piece (measures under-pressure). + the end piece should not be connected. Pressure transmitter P2 is installed in the inlet duct with a tube connected + end piece (measures over-pressure). - the end piece should not be connected.

**Constant pressure in duct (Zone Module A)**

If the zone system is installed with Zone Module A the duct pressure should always be regulated with constant pressure. Either by the ventilation system or by connecting pressure transmitter P1 and P2 to the Zone Master as further described here.

**Built-in SD card reader, marked “M”**

OJ GreenZone™ Master has a built-in SD card reader capable of supporting standard SDHC of up to 8 GB (see figs 4 and 13).

The card reader is used to update OJ GreenZone™ Master software and to log data.

Data log files can be sent to OJ Electronics A/S for diagnostic purposes on prior agreement with a member of the support department at OJ Electronics A/S. Contact the support department at support@oj.dk.

*NOTE! The SD card must be inserted into the reader with the contact surfaces foremost.*

**Safeguarding data in OJ GreenZone™ Master**

In the event of communication faults and/or power failure to the OJ GreenZone™ Master, all data will be saved. When communication and/or the power supply has been re-established, the OJ GreenZone™ Master will automatically resume normal operation.

**TECHNICAL DATA**

Supply voltage	24 VAC +/-15% (see fig. 10)
Power consumption, no load	≤ 5 VA
TCP/IP connections	1 x RJ45 connector (8P8C)
Modbus connections	5 x RJ12 connectors (6P6C)
Modbus communication	RS485, 38.4 kBaud
Modbus address, OJ Zone Master	Factory set 192.168.1.101
Digital inputs	6 x pull-up
Digital outputs	2 x potential-free (max. 230 VAC 5A)
	3 x potential-free (max. 30 VAC 5A)
Sensor inputs	2 x PT1000

Resolution, temperature .....	0.01°C
Voltage outputs .....	.3 x 0-10 VDC
Enclosure rating .....	IP20
Dimensions .....	(see figs 2 and 3)
Weight .....	430 g

### Configuring the OJ GreenZone™ Master

The OJ GreenZone™ Master and connected OJ GreenZone™ Modules are configured by means of the built-in web server. For information on the web server, please refer to the installer instructions. The current version of the installer instructions is available at [www.ojelectronics.com](http://www.ojelectronics.com).



## COMMUNICATION PROTOCOLS

### BACnet, TCP/IP to BMS

OJ GreenZone™ Master supports BACnet for TCP/IP communication with a BMS system. BACnet TCP/IP should be connected to the connector marked TCP/IP BMS (see fig. 14). The current BACnet protocol is available at OJ Electronics A/S webpage.

### Modbus, TCP/IP to BMS

OJ GreenZone™ Master supports Modbus for TCP/IP communication with a BMS system. Modbus TCP/IP should be connected to the connector marked TCP/IP BMS (see fig. 14). The current Modbus protocol is available at OJ Electronics A/S webpage.

### TCP/IP

OJ GreenZone™ Master uses the following standard parameters for TCP/IP network:

IP address:	192.168.1.101
Netmask:	255.255.255.0
Gateway:	192.168.1.1
DNS:	192.168.1.1
Alternative DNS:	0.0.0.0

OJ GreenZone™ Master supports "IPconfig". IPconfig is a PC based utility for setting and reading out TCP/IP network settings for units connected in a LAN network.

IPconfig can scan a LAN network for connected units, and the user can set communication parameters, e.g. IP address, Netmask, Gateway, DNS and host name, for each individual unit.

IPconfig allows the OJ GreenZone™ Master IP address to be read out and configured.

Only TCP/IP units that support IPconfig can be scanned by IPconfig. IPconfig can be downloaded from [www.ojelectronics.com](http://www.ojelectronics.com).

### KNX router interface for zone components

OJ GreenZone™ Master supports communication with "KNX IP BAOS 772" KNX router (make: Weinzierl) via its ObjectServer interface (see figs 20 and 21). OJ GreenZone™ Master uses the IP address "192.168.1.33" as default IP address for the KNX router. The current KNX protocol is available at OJ Electronics A/S webpage.

## SERVICE AND MAINTENANCE

OJ GreenZone™ Master contains no components that require service or maintenance. Please contact your supplier if faults arise.

## DISPOSAL AND ENVIRONMENTAL PROTECTION



Help protect the environment by disposing of the packaging and redundant products in an environmentally responsible manner.

### Product disposal

Products marked with this symbol must not be disposed of together with household refuse but must be delivered to a waste collection centre in accordance with applicable local regulations.

## OJ ELECTRONICS A/S

Stenager 13B · DK-6400 Sønderborg  
Tel. +45 73 12 13 14 · Fax +45 73 12 13 13  
[oj@ojelectronics.com](mailto:oj@ojelectronics.com) · [www.ojelectronics.com](http://www.ojelectronics.com)

**CE MARKING**

2004/108/EC EMC DIRECTIVE

The European parliament and of the council of 15 December 2004 on the approximation of the laws of the Member States relating to electromagnetic compatibility and repealing Directive 89/336/EEC.

2006/95/EC LOW VOLTAGE DIRECTIVE

Council Directive 2006/95/EC of 12 December 2006 on the harmonization of the laws of Member States relating to electrical equipment designed for use within certain voltage limits.

**Applied standards**

EN 60730-1 2000 / Automatic electrical controls for household and similar use  
Part 1: General requirements.


**TROUBLESHOOTING**

Symptom	Cause	Action
OJ GreenZone™ Master completely inoperative	No power	Check that there is voltage (24 VAC) on terminals 1 and 2.
	Defective OJ GreenZone™ Master	Replace OJ GreenZone™ Master.
Unable to log into the web server of the OJ GreenZone™ Master via the direct LAN connection	LAN cable connected incorrectly	Check that the LAN cable has been connected correctly at both ends.
	Defective LAN cable	Replace LAN cable.
	Incorrect IP address	Check the static IP address setting on the OJ GreenZone™ Master. The IP address is factory pre-configured to "Static" IP address 192.168.1.101.
		Check the static IP address setting on the PC network card. The IP address on the PC network card must be different from the IP address above. Set the IP address on the PC's network card, e.g. 192.168.1.100.
		Enter the correct IP address in the web browser: 192.168.1.101.
Defective PC network card	Try again with another PC.	
Defective OJ GreenZone™ Master	Replace OJ GreenZone™ Master.	
The main unit will not start even though there is an operating signal from at least one zone – the main unit is connected via Modbus	Modbus cable connected incorrectly	Check that the Modbus cable has been connected correctly at both ends.
	Defective Modbus cable	Replace Modbus cable.
	Incorrect setup of Modbus communication	Check the Modbus communication setup and Modbus addresses – see the installer instructions.

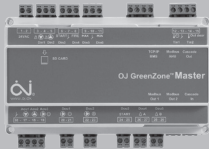


Symptom	Cause	Action
Unable to log into the web server of the OJ GreenZone™ Master via the Router/DHCP LAN-connection	The IP address in the OJ GreenZone™ Master is set to "Static"	Set the IP address to "DHCP" by means of the built-in web server or using the IPconfig utility.
	LAN cables connected incorrectly	Check all LAN cable connections in the router, PC and OJ GreenZone™ Master.
	The IP address in the PC network card is set to "Static"	Set the IP address to "Obtain an IP address automatically".
	Incorrect IP address in address line	Enter the correct IP address in the web browser: 192.168.1.101.
	Defective PC network card	Try again with another PC.
	Defective OJ GreenZone™ Master	Replace OJ GreenZone™ Master.
Unable to log into the web server of the OJ GreenZone™ Master via smartphone.	The Wi-Fi router is switched off	Switch on the Wi-Fi router.
	The smartphone is not connected to the Wi-Fi network	Search for available networks on your smartphone. Connect the smartphone to the same network to which the OJ GreenZone™ Master is connected.
	Incorrect IP address in address line	Start a web browser on your smartphone and enter the correct IP address in the web browser. OJ GreenZone™ Master's IP address is read out by means of the IPconfig utility.
One or more OJ GreenZone™ Modules are lacking in the web server	One or more OJ GreenZone™ Modules lack power	Check the power supply to the OJ GreenZone™ Modules. Correct power connection to an OJ GreenZone™ Module is illustrated in figs 8 and 9 of the OJ GreenZone™ Module instructions.
One or more OJ GreenZone™ Modules are lacking in the web server	Fault in the Modbus cable connection between OJ GreenZone™ Master and OJ GreenZone™ Modules or between successive OJ GreenZone™ Modules	Check the Modbus cable connection between the OJ GreenZone™ Master and OJ GreenZone™ Modules and between successive OJ GreenZone™ Modules.
	Defective OJ GreenZone™ Module	Replace OJ GreenZone™ Module.
	Defective OJ GreenZone™ Master	Replace OJ GreenZone™ Master.
No alarm is generated when digital input 1 is activated <i>Function: The input detects alarms from the inlet fan</i>	Fault in the electrical connection	Check the electrical connection. See fig. 11. The alarm should be triggered when the input is activated (On).
No alarm is generated when digital input 2 is activated <i>Function: The input detects alarms from the exhaust fan</i>	Fault in the electrical connection	Check the electrical connection. See fig. 11. The alarm should be triggered when the input is activated (On).

Symptom	Cause	Action
Zones remain in standby when digital input 3 is activated	Fault in the electrical connection	Check the electrical connection. See fig. 11. The alarm should be triggered when the input is activated (On).
	No power to one or more OJ GreenZone™ Modules	Check the power supply to the OJ GreenZone™ Modules. Correct power connection to an OJ GreenZone™ Module is illustrated in figs 8 and 9 of the OJ GreenZone™ Module instructions.
	Fault in the Modbus cable connection between OJ GreenZone™ Master and OJ GreenZone™ Modules or between successive OJ GreenZone™ Modules	Check the Modbus cable connection between the OJ GreenZone™ Master and OJ GreenZone™ Modules and between successive OJ GreenZone™ Modules.
	Defective OJ GreenZone™ Module	Replace OJ GreenZone™ Module.
	Defective OJ GreenZone™ Master	Replace OJ GreenZone™ Master.
OJ GreenZone™ Master does not react to the fire alarm input "FIRE"	Fault in the electrical connection	Check the electrical connection. See fig. 11. The alarm should be triggered when the input is activated (On).
	No power to one or more OJ GreenZone™ Modules	Check the power supply to the OJ GreenZone™ Modules. Correct power connection to an OJ GreenZone™ Module is illustrated in figs 8 and 9 of the OJ GreenZone™ Module instructions.
	Fault in the Modbus cable connection between OJ GreenZone™ Master and OJ GreenZone™ Modules or between successive OJ GreenZone™ Modules	Check the Modbus cable connection between the OJ GreenZone™ Master and OJ GreenZone™ Modules and between successive OJ GreenZone™ Modules.
	Defective OJ GreenZone™ Module	Replace OJ GreenZone™ Module.
	Defective OJ GreenZone™ Master	Replace OJ GreenZone™ Master.
OJ GreenZone™ Master does not react to the input "MAX"	Fault in the electrical connection	Check the electrical connection. See fig. 11. The function should be activated when the input is activated (On).
	No power to one or more OJ GreenZone™ Modules	Check the power supply to the OJ GreenZone™ Modules. Correct power connection to an OJ GreenZone™ Module is illustrated in figs 8 and 9 of the OJ GreenZone™ Module instructions.
	Fault in the Modbus cable connection between OJ GreenZone™ Master and OJ GreenZone™ Modules or between successive OJ GreenZone™ Modules	Check the Modbus cable connection between the OJ GreenZone™ Master and OJ GreenZone™ Modules and between successive OJ GreenZone™ Modules.
	Defective OJ GreenZone™ Module	Replace OJ GreenZone™ Module.
	Defective OJ GreenZone™ Master	Replace OJ GreenZone™ Master.

Symptom	Cause	Action
OJ GreenZone™ Master does not react to the input "MIN"	Fault in the electrical connection	Check the electrical connection. See fig. 11. The function should be activated when the input is activated (On).
	No power to one or more OJ GreenZone™ Modules	Check the power supply to the OJ GreenZone™ Modules. Correct power connection to an OJ GreenZone™ Module is illustrated in figs 8 and 9 of the OJ GreenZone™ Module instructions.
	Fault in the Modbus cable connection between OJ GreenZone™ Master and OJ GreenZone™ Modules or between successive OJ GreenZone™ Modules	Check the Modbus cable connection between the OJ GreenZone™ Master and OJ GreenZone™ Modules and between successive OJ GreenZone™ Modules.
	Defective OJ GreenZone™ Module	Replace OJ GreenZone™ Module.
	Defective OJ GreenZone™ Master	Replace OJ GreenZone™ Master.
Sensor shows incorrect value	Fault in the electrical connection	Check the electrical connection. See fig. 12.  Note that terminal 15 has no function and must therefore remain unused.
	Incorrect sensor type	Check that the sensor is of type PT1000.
	Sensor not positioned correctly	Check sensor position.
	Defective sensor	Check the resistance of the connected sensor with a suitable measuring instrument. The sensor must have a resistance of approx. 1078 Ω at 20°C. Replace sensor.
Inlet fan non-controllable or inoperative	Fault in the electrical connection from analogue output 1 (Aou1)	Check the electrical connection. See fig. 5.
	Disconnected or disabled power supply to inlet fan or frequency converter	Check the power supply to the fan and frequency converter.
	Defective OJ GreenZone™ Master	Replace OJ GreenZone™ Master.
Exhaust fan non-controllable or inoperative	Fault in the electrical connection from analogue output 2 (Aou2)	Check the electrical connection. See fig. 5.
	Disconnected or disabled power supply to exhaust fan or frequency converter	Check the power supply to the fan and frequency converter.
	Defective OJ GreenZone™ Master	Replace OJ GreenZone™ Master.
Circulation pump for cooling water non-controllable or inoperative	Fault in the electrical connection from analogue output 3 (Aou3)	Check the electrical connection. See fig. 5.
	Disconnected or disabled power supply to circulation pump or frequency converter	Check the power supply to the pump and frequency converter.
	Defective OJ GreenZone™ Master	Replace OJ GreenZone™ Master.

Symptom	Cause	Action
Enabling signal for cooling (Dou1) inoperative	Fault in the electrical connection from digital output 1 (Dou1)	Check the electrical connection. See fig. 6.
	Disconnected or disabled power supply to cooling system	Check the power supply to the cooling system.
	There is no cooling demand	Produce a cooling demand by lowering the temperature setpoint.
	Defective OJ GreenZone™ Master	Replace OJ GreenZone™ Master.
Enabling signal for heating (Dou2) inoperative	Fault in the electrical connection from digital output 2 (Dou2)	Check the electrical connection. See fig. 6.
	Disconnected or disabled power supply to heating system	Check the power supply to the heating system.
	There is no heating demand	Produce a heating demand by raising the temperature setpoint.
	Defective OJ GreenZone™ Master	Replace OJ GreenZone™ Master.
Start signal (Dou3) for main unit inoperative	Fault in the electrical connection from digital output 3 (Dou3)	Check the electrical connection. See fig. 7.
	Disconnected or disabled main unit	Check the power supply to the main unit (AHU).
	No operating signal from the zones	Activate operation of at least one zone.
	Defective OJ GreenZone™ Master	Replace OJ GreenZone™ Master.
A-alarms (Dou4) not activated despite presence of A-alarms in system	Fault in the electrical connection from digital output 4 (Dou4)	Check the electrical connection. See fig. 7.
	Defective OJ GreenZone™ Master	Replace OJ GreenZone™ Master.
B-alarms (Dou5) not activated despite presence of B-alarms in system	Fault in the electrical connection from digital output 5 (Dou5)	Check the electrical connection. See fig. 7.
	Defective OJ GreenZone™ Master	Replace OJ GreenZone™ Master.



Deutsch



## ABBILDUNGEN

Folgende Abbildungen finden sich ganz hinten in der Anleitung:

- Abb. 1: OJ GreenZone™ Master
- Abb. 2: Maßskizze, Front
- Abb. 3: Maßskizze, Seitenansicht
- Abb. 4: Anschlussübersicht OJ GreenZone™ Master
- Abb. 5: Analoge Ausgänge, 0-10 V=
- Abb. 6: Digitale Ausgänge (Dou1 und Dou2)
- Abb. 7: Digitale Ausgänge (Dou3, Dou4 und Dou5)
- Abb. 8: RJ12; Modbus Ausg. 1, Modbus Ausg. 2 und Cascade Eing.
- Abb. 9: Modbuskabel-Anschlüsse
- Abb. 10: Anschluss Spannungsversorgung
- Abb. 11: Digitale Eingänge (Din1 ... Din6)
- Abb. 12: Anschluss von PT-1000-Fühlern
- Abb. 13: SD-Kartenleser
- Abb. 14: TCP/IP GLT, Modbus RLT-Gerät, Cascade Ausg.
- Abb. 15: Modbus Ausg. 1, Modbus Ausg. 2, Cascade Eing.
- Abb. 16: Elektrische Modbus-Kaskadenkonfiguration
- Abb. 17: Übersicht, Steckverbinderplatzierungen
- Abb. 18: Anschluss von OJ-Green-Zone-Modulen
- Abb. 19: Konfigurationsübersicht
- Abb. 20: Kommunikationskonfiguration
- Abb. 21: KNX-Konfiguration
- Abb. 22: Elektrischer Anschluss wenn RLT-Gerät die Zonen freigibt
- Abb. 23: Elektrischer Anschluss, wenn Zonen das RLT-Gerät starten
- Abb. 24: RJ12-Modbus-Steckverbinder; Modbus RLT-Gerät und Cascade Ausg.
- Abb. 25: Modbus-Anschluss an OJ-Air2 Master
- Abb. 26: Modbus-Anschluss an RLT-Gerät von dritter Seite
- Abb. 27: Konfiguration - Bedarfsgesteuerte Ventilation
- Abb. 28: Konfiguration - Gemeinsame Abluft
- Abb. 29: Konfiguration - Niederlassung VVS
- Abb. 30: Konfiguration - Druckschutz

Abb. 31: Konfiguration - Slave in großen Räumen

Abb. 32: Konfiguration - Wie man die Adresse eingestellt?

## ALLGEMEINES

Der OJ GreenZone™ Master ist eine elektronische Steuereinheit (Regler), die eine Reihe von VVS-Zonen (max. 25) in einer Lüftungsanlage steuern kann. Der OJ GreenZone™ Master erfüllt alle Funktionen, die zur Handhabung von bis zu 25 Zonen mittels OJ-Green-Zone-Modulen erforderlich sind. In eine Anlage können bis zu 5 OJ GreenZone™ Master eingebunden werden. Eine voll ausgebaute OJ-Green-Zone-Anlage kann also bis zu 125 Zonen kontrollieren.

## BESCHREIBUNG

Der OJ GreenZone™ Master ist die „intelligente“ Komponente in einer OJ-Green-Zone-Anlage, in der OJ-Green-Zone-Module die einzelnen Zonen/Räume regeln. Der OJ GreenZone™ Master und die angeschlossenen Green-Zone-Module werden mit Hilfe des eingebauten Webserver konfiguriert.

Der OJ GreenZone™ Master verfügt über eine erweiterte Optimierungsfunktion zur Regelung der Lüfterdrehzahl und zur Steuerung der Heiß- und/oder Kaltwasserpumpe.

Mit dem OJ GreenZone™ Master ist der Zugriff auf die Regelungs- und Komfortparameter entweder über den eingebauten Webserver oder durch Verbindung und Bedienung der OJ-Green-Zone-Anlage mit einem Gebäudeleittechnik-System (GLT) möglich.

Als Kommunikationsprotokoll mit dem GLT-System dienen Modbus oder BACnet. KNX-Komponenten in den Zonen können mithilfe von KNX/Ethernet-Konvertern verbunden werden.

Die Kommunikation zwischen OJ GreenZone™ Master und den OJ-Green-Zone-Modulen in den angeschlossenen Zonen erfolgt mit Standard Modbus RS485. Durch Kombination von max. 5 OJ GreenZone™ Master in einer Anlage, wobei jeder Master bis zu 25 OJ-Green-Zone-Module steuern kann, wird es möglich, bis zu 125 individuelle Zonen/Räume zu regeln und zu kontrollieren.

Die tägliche Bedienung kann über den eingebauten Webserver, über ein angeschlossenes GLT-System oder über ein Smartphone erfolgen. Siehe Abb. 20.

**PRODUKTPROGRAMM****Produkte von OJ Electronics**

Typ	Produkt
OJ-ZoneMaster	Mastermodul zur Steuerung von max. 25 Stk. OJ GreenZone™ Module M
OJ-ZoneModule-M	Zonenmodul zur Steuerung einer Zone mit Direct-Modbus-Stellantrieben
OJ-ZoneModule-A	Zonenmodul zur Steuerung einer Zone mit 0-10V-Stellantrieben
OJ-ZoneModule-MP	Zonenmodul zur Steuerung einer Zone mit MP-Bus-Stellantrieben
OJ-Air2PWR80	Spannungsversorgung 2 x 24 V~, 2 x 60 VA
ETT-KH	Abdeckung für OJ GreenZone™ Module M, Wandmontage
PTH-6202	Druckmessumformer mit Modbus
ETF-1798	PT-1000-Außentemperaturfühler (°C)
ETF-598B-5	PT-1000-Außentemperaturfühler (°C)
OJ-Air2Split	Modbusverteiler, 4 x RJ12-Steckverbinder + 8 x 1,5 mm <sup>2</sup> Klemmen

**Produkte anderer Hersteller**

Typ	Produkt
Telefonkabel, Typ: TD6006 Schwarz	6-Leiter-Telefonkabel, Fabrikat INEC
TE Connectivity Telefon-Steckverbinder, RJ12	Modular-Steckverbinder 6/6, RJ12 Standardsteckverbinder

**KNX-Produkte**

Typ	Produkt
Weinzierl, BAOS 772, KNX/IP	KNX TCP/IP-Gateway
Arcus -EDS, SK03-TFK	KNX-Fühler, Raumtemperatur, relative Feuchte
Arcus -EDS, AE-S8-CO2-TF	KNX-Fühler, Raumtemperatur, relative Feuchte, CO2
Arcus -EDS, SK03R-T	KNX-Fühler, Raumtemperatur, ±°C-Verschiebung
Arcus -EDS, SK01-T-KTF1	KNX-Fühler, Temperatur (Kanalmontage)
Züblin Elektro, Swiss Garde 360 KNX	KNX-Fühler, PIR-Bewegungsmelder
Elsner Elektronik, KNX VOC-UP basic	KNX-Fühler, VOC-Fühler (Wandmontage)
MDT technologies, KNX Binary Input	KNX-Eingangsmodule für Fenster- und Frostsignal
GIRA, 2104	KNX-Fühler, Raumtemperatur, relative Feuchte, CO2

**INSTALLATION**

Der OJ GreenZone™ Master ist in einem der Klassifikation des Installationsorts entsprechendem Metallgehäuse auf einer standardmäßigen 35 mm DIN-Schiene zu installieren (siehe Abmessungen in Abb. 2 und 3). Für die physische Konfiguration siehe Abb. 19.

Der OJ GreenZone™ Master ist mit 24 V~ ±15 % zu versorgen, und deshalb mit Schraubklemmen (max. 1,5 mm<sup>2</sup>) ausgestattet.

Die übrigen Anschlüsse sind eine Kombination von RJ12-Steckverbindungen und Schraubklemmen für Leiter mit max. 1,5 mm<sup>2</sup>.

**Elektrischer Anschluss** (siehe Übersicht in Abb. 1)

In Abb. 4 sind alle Anschlüsse mit einem Buchstaben (A-P) gekennzeichnet.

Siehe folgenden Beschreibung der elektrischen Anschlüsse für jede einzelne Komponente, Ein- und Ausgänge und andere Signale am OJ GreenZone™ Master.

**Anschluss der analogen Ausgänge, gek. „A“** (siehe Abb. 4 und 5)

Der OJ GreenZone™ Master ist mit 3 analogen Ausgänge (0-10 V=) ausgestattet (siehe Abb. 4 und 5).

Analogausgang 1 ist gekennzeichnet mit „**Aou1**“ (Klemme 17) und kann zur Regelung der Zuluftgebläsedrehzahl in der Lüftungsanlage (Hauptanlage) verwendet werden.

Analogausgang 2 ist gekennzeichnet mit „**Aou2**“ (Klemme 18) und kann zur Regelung der Abluftgebläsedrehzahl in der Lüftungsanlage (Hauptanlage) verwendet werden.

Analogausgang 3 ist gekennzeichnet mit „**Aou3**“ (Klemme 19) und kann zur Regelung der Umwälzpumpendrehzahl im Kühlsystem verwendet werden.

Der gemeinsame Masseanschluss (GND) ist mit  (Klemme 16) gekennzeichnet.

Um die Lüfter so energieeffizient wie möglich zu steuern, ist das OJ GreenZone™ Module Mit einer Funktion ausgestattet, die kontinuierlich die Schieberstellung optimiert. Die Optimierung bewirkt, dass der Druck im Kanal immer so niedrig wie möglich gehalten wird, dass die Zonen mit der richtigen Luftmenge versorgt werden, und keine VVS-Zone zu mehr als 80 % geöffnet ist.


Ist in mindestens einer Zone Kühlung erforderlich, wird die Zulufttemperatur in der Hauptanlage ausgehend vom eingestellten Mindest-Sollwert im OJ GreenZone™ Master berechnet. Besteht kein Kühlbedarf in den Zonen, wird die Zulufttemperatur in der Hauptanlage ausgehend vom niedrigst berechneten Sollwert in den angeschlossenen Zonen kalkuliert.


Die Drehzahl der Umwälzpumpe für das Kühlwasser wird so geregelt, dass der Druck ständig dazu ausreicht, die Ventile in den Zonen min. zu 80 % offen zu halten. Dies reduziert den Druck im Kühlsystem und damit den Energieverbrauch für die Kühlpumpe.

#### Anschluss der digitalen Ausgänge gek. „B und C“

– **Freigabesignal, Heizen/Kühlen** (siehe Abb. 4 und 6)

Der OJ GreenZone™ Master ist mit 2 potentialfreien digitalen Ausgänge ausgestattet, die aktiviert werden, wenn die Zone im Heiz- beziehungsweise Kühlzustand ist. Die max. Spannung auf „Dou1“ und „Dou2“ ist 230 V, und die max. Last 5 A.

Der Ausgang  (Klemmen 20-21) kann dazu benutzt werden, die Umwälzpumpe im Kühlsystem zu starten (Abb. 6).

Der Ausgang  (Klemmen 22-23) kann dazu benutzt werden, die Umwälzpumpe im Heizsystem zu starten (Abb. 6).

#### Anschluss der digitalen Ausgänge „gek. D, E und F“

– **Betriebssignal und Alarmrelais** (siehe Abb. 4 und 7)

Der OJ GreenZone™ Master ist mit 3 potentialfreien digitalen Ausgängen ausgestattet, die unter folgenden Voraussetzungen aktiviert werden:

Die max. Spannung auf „Dou3“ und „Dou4“ ist 30 V, und die max. Last 5 A.

Ausgang „START“ (Klemmen 24-25) wird aktiviert, wenn mindestens eine Zone in Betrieb ist (Abb. 7).



Ausgang „A Δ“ (Klemmen 26-27) wird aktiviert, wenn ein A-Alarm im Zonensystem vorliegt (Abb. 7). Ausgang „B Δ“ (Klemmen 28-29) wird aktiviert, wenn ein B-Alarm im Zonensystem vorliegt (Abb. 7).

#### Spannungsversorgung gek. „G“ (siehe Abb. 4 und 10)

Der OJ GreenZone™ Master ist mit 24 V~ an den Klemmen 1 und 2 zu versorgen (siehe Abb. 4 und 10).

#### Anschluss der digitalen Eingänge gek. „H, J und K“ (siehe Abb. 4 und 11)

Der OJ GreenZone™ Master ist mit 6 digitalen Eingängen ausgestattet.

- Digitaleingang 1 („Din2“), Klemmen 3 und 4, ist mit diesem Symbol  gekennzeichnet, und wird für Alarmsignalgebung vom Zuluftgebläse benutzt. Der Alarm kann von einem Überlastrelais, einer im Lüfter eingebauten thermischen Überhitzungssicherung usw. stammen. Der Alarm wird aktiviert, wenn der Eingang schließt.
- Digitaleingang 2 („Din2“), Klemmen 4 und 5, ist mit diesem Symbol  gekennzeichnet, und wird für Alarmsignalgebung vom Abluftgebläse benutzt. Der Alarm

kann von einem Überlastrelais, einer im Lüfter eingebauten thermischen Überhitzungssicherung usw. stammen. Der Alarm wird aktiviert, wenn der Eingang schließt.

- Digitaleingang 3 („Din3“), Klemmen 6 und 7, ist mit dem Symbol „START“ gekennzeichnet, und wird zum Statuswechsel in allen angeschlossenen Zonen benutzt. Ist Eingang („Din3“) offen, sind alle Zonen im Bereitschaftszustand, das heißt, alle VVS-Schieber sind geschlossen, und die Zonen zwangsgestoppt. Der Eingang kann angewandt werden, wenn der Zonenbetrieb von der Hauptanlage freigegeben werden soll. Elektrischer Anschluss, siehe Abb. 22. Falls die Hauptanlage von der ersten aktiven Zone gestartet werden soll, z. B. wenn ein PIR-Fühler Signal gibt, muß Eingang („Din3“) offen sein. Elektrischer Anschluss, siehe Abb. 23.
- Digitaleingang 4 („Din4“), Klemmen 7 und 8, ist mit dem Symbol „FIRE“ gekennzeichnet, und wird dazu benutzt, die Hauptanlage im Brandfall zu stoppen. Der Alarm kann von einer zentralen Brandmeldeanlage, einem Brandthermostat, einem mechanischen Rauchmelder o. Ä. stammen. Der Alarm wird aktiviert, wenn der Eingang öffnet. Der Betriebszustand der Anlage im Brandfall ist vom Installationstechniker auf der Web-Benutzeroberfläche zu konfigurieren, wobei max. Luftstrom und vollständig geöffnete VVS-Schieber oder kein Luftstrom und vollständig geschlossene VVS-Schieber samt Stopp der Hauptanlage eingestellt werden kann (weitere Einzelheiten siehe in der Installationsanleitung).
- Digitaleingang 5 („Din5“), Klemmen 9 und 10, ist mit dem Symbol „MAX“ gekennzeichnet, und wird dazu verwendet, alle angeschlossenen VVS-Zonenklappen auf max. Luftstrom zwangszuöffnen, wenn der Eingang schließt (weitere Einzelheiten siehe Installationsanleitung).
- Digitaleingang 6 („Din6“), Klemmen 10 und 11, ist mit dem Symbol „MIN“ gekennzeichnet, und wird dazu verwendet, alle angeschlossenen VVS-Zonenklappen auf min. Luftstrom zwangszuschließen, wenn der Eingang schließt (weitere Einzelheiten siehe Installationsanleitung).

#### Anschluss der Fühlereingänge gek. „L“ (siehe Abb. 4 und 12)

Der OJ GreenZone™ Master ist mit zwei PT-1000-Fühlereingängen zum Anschluss eines Temperaturfühlers im Kühlwasserkreis/Pufferspeicher für Wärmepumpen und eines Außentemperaturfühlers ausgestattet. Zum Einsatz kommen standardmäßige PT-1000-Fühler, z. B. vom Typ ETF-x98 von OJ Electronics.

Der Temperaturfühler zur Messung der Wassertemperatur, ist an den Klemmen 12 und 13 anzuschließen. Das kann entweder ein die Oberflächentemperatur der Kühlwasserleitung messender, oder ein zur Montage im Tauchrohr vorgesehener Fühler sein.

Der die Außentemperatur messende Fühler, ist an den Klemmen 13 und 14 anzuschließen.

#### **Anschluss von TCP/IP-GLT-Steckerverbinder gek. „N“**

(siehe Abb. 4, 14 und 17)

Der OJ GreenZone™ Master ist mit einem Standard-RJ45-Steckverbinder (siehe Abb. 17) zum Anschluss an ein TCP/IP-Netzwerk oder direkt an ein GLT-System ausgestattet, siehe Abb. 14 und Abschnitt „Kommunikationsprotokoll“ in dieser Anleitung.

Der TCP/IP-GLT-Steckverbinder wird auch für den Zugang zum eingebauten Web-server benutzt.

#### **Anschluss von Modbus-RLT-Gerät-Steckerverbinder gek. „N“**

(siehe Abb. 4, 14 und 17)

Der OJ GreenZone™ Master ist mit einem Standard-RJ12-Steckverbinder (siehe Klemmenbelegung in Abb. 24) für den Anschluss an eine Lüftungsanlage ausgestattet (siehe Abb. 17). Das Kommunikationsprotokoll ist Modbus RS485 (siehe Abb. 14, 25, 26 sowie die Installationsanleitung bez. dieses Produkts).

#### **Anschluss von CASCADE-OUT-Steckerverbinder gek. „N“**

(siehe Abb. 4, 14 und 17)

Der OJ GreenZone™ Master ist mit einem Standard-RJ12-Steckverbinder (siehe Klemmenbelegung in Abb. 24) für den Anschluss von bis zu 5 OJ GreenZone™ Master in einem voll ausgebautem OJ-Green-Zone-System ausgestattet. OJ Green-Zone™ Master werden in Kaskadenschaltung gekoppelt, wie in Abb. 16 dargestellt. Der erste OJ GreenZone™ Master ist MASTER 1 des Systems, und der OJ Green-Zone™ Master, bei dem „Cascade Out“ unbenutzt bleibt.

#### **Anschluss von CASCADE-IN-Steckerverbinder gek. „P“**

(siehe Abb. 4, 14, 15 und 16)

Siehe obenstehenden Abschnitt „CASCADE OUT“ (Klemmenbelegung siehe Abb. 8).

#### **Anschluss von Modbus-Out1- und Modbus-Out2-Steckerverbindung gek. „P“**

(siehe Abb. 4, 15 und 17)

Der OJ GreenZone™ Master ist mit 2 Standard-RJ2-Steckverbindern (siehe Klemmenbelegung in Abb. 8) für den Anschluss und die Koppelung von OJ-Green-Zone-Modulen in einem voll ausgebautem OJ-Green-Zone-System ausgestattet. Es können max. 25 OJ GreenZone™ Module an einen OJ GreenZone™ Master

angeschlossen werden. Siehe Abb. 18. OJ GreenZone™ Module werden in Serie geschaltet (Daisy-Chain). Die Anzahl der OJ GreenZone™ Module auf jedem der 2 Steckverbinder „Modbus Out1“ und „Modbus Out2“ ist wahlfrei, nur die Anzahl von maximal 25 Stk. OJ GreenZone™ Module darf dabei nicht überschritten werden. Besteht Bedarf für zusätzliche OJ GreenZone™ Module in der gleichen Anlage, ist je 25 OJ GreenZone™ Module ein OJ GreenZone™ Master zu installieren. Siehe Abb. 16.

#### **Über- und Unterdruckschutz in Kanälen**

Der Druck im Kanalsystem kann durch die Installation eines PTH-3202 Druckmessumformers im Abluft- und Zuluftkanal begrenzt/geregelt werden, siehe Abb. 30 und 31. Druckmessumformer P1 wird im Abluftkanal mit angeschlossenem Minusrohr installiert (misst Unterdruck). Die Plusseite darf nicht angeschlossen werden. Druckmessumformer P2 wird im Abluftkanal mit angeschlossenem Plusrohr installiert (misst Überdruck). Die Minusseite darf nicht angeschlossen werden.

#### **Konstanter Kanaldruck (Zonenmodul A)**

Ist in der Zonenanlage Zonenmodul A verbaut, muss der Kanaldruck stets mit konstantem Druck reguliert werden. Dies erfolgt entweder über das Lüftungssystem oder mithilfe des Anschlusses von Druckmessumformer P1 und P2 an den Zone Master, wie an anderer Stelle beschrieben.

#### **Eingebauter SD-Kartenleser, gek. „M“**

Der OJ GreenZone™ Master ist mit einem eingebauten SD-Kartenleser, der Standard SDHC mit max. 8 GB unterstützt ausgestattet (siehe Abb. 4 und 13).

Der Kartenleser dient zur Aktualisierung der OJ GreenZone™ Master-Software sowie für die Datenprotokollierung.

Datenprotokolle können zur Diagnose bei OJ Electronics A/S nach vorheriger Absprache mit einem Support-Mitarbeiter bei OJ Electronics A/S eingesandt werden. Bitte mit der Support-Abteilung unter support@oj.dk Kontakt aufnehmen.

*BITTE BEACHTEN! SD-Karte mit den Kontaktflächen nach vorne in den Kartenleser einsetzen.*

#### **Sicherung von Daten im OJ GreenZone™ Master**

Bei Ausfall der Kommunikation und/oder Unterbrechung der Spannungsversorgung zum OJ GreenZone™ Master werden alle Daten gesichert. Nach Wiederherstellung der Kommunikation und/oder der Spannungsversorgung startet der OJ GreenZone™ Master wieder im Normalbetrieb.



**TECHNISCHE DATEN**

Spannungsversorgung	24 V~ ±15 % (siehe Abb. 10)
Leistungsaufnahme, Bereitschaftsverbrauch	≤5 VA
TCP/IP-Anschlüsse	1 × RJ45-Steckverbinder (8P8C)
Modbus-Anschlüsse	5 × RJ12-Steckverbinder (6P6C)
Modbus-Kommunikation	RS-485, 38,4 kBaud
Modbus-Adresse, OJ Zone Master	Werkseingestellt 192.168.1.101
Digitale Eingänge	.6 × Pull-up
Digitale Ausgänge	2 × potentialfrei (max. 230 V AC 5 A)
	3 × potentialfrei (max. 30 V AC 5 A)
Fühlereingänge	.2 × PT-1000
Auflösung, Temperatur	0,01 °C
Spannungsausgänge	.3 × 0-10 V=
Schutzart	.IP20
Abmessungen	(siehe Abb. 2 und 3)
Gewicht	.430 g

**Konfigurierung des OJ GreenZone™ Masters**

Der OJ GreenZone™ Master und die angeschlossenen Green-Zone-Module werden mit Hilfe des eingebauten Webservers konfiguriert. Bez. des Webservers siehe Installationsanleitung. Download der aktuellen Installationsanleitung unter [www.ojelectronics.com](http://www.ojelectronics.com).

**KOMMUNIKATIONSPROTOKOLLE****BACnet, TCP/IP zu GLT**

Der OJ GreenZone™ Master unterstützt BACnet für TCP/IP-Kommunikation mit GLT-System. BACnet TCP/IP ist an den mit TCP/IP BMS gek. Steckverbinder anzuschließen (siehe Abb. 14).

BACnet-Protokoll:

Download des aktuellen BACnet-Protokolls unter [www.ojelectronics.com](http://www.ojelectronics.com).

**Modbus, TCP/IP zu GLT**

Der OJ GreenZone™ Master unterstützt Modbus für TCP/IP-Kommunikation mit GLT-System. Modbus TCP/IP ist an den mit TCP/IP BMS gek. Steckverbinder anzuschließen (siehe Abb. 14).

Modbus-Protokoll:

Download des aktuellen Modbus-Protokolls unter [www.ojelectronics.com](http://www.ojelectronics.com).

**TCP/IP**

Der OJ GreenZone™ Master verwendet die folgenden Standard-Parameter für TCP/IP-Netzwerke:

IP-Adresse:	192.168.1.101
Netzmaske:	255.255.255.0
Gateway:	192.168.1.1
DNS:	192.168.1.1
Alternative DNS:	0.0.0.0

OJ GreenZone™ Master unterstützt „IPconfig“. IPconfig ist ein PC-basiertes Dienstprogramm zum Einstellen und Auslesen von TCP/IP-Netzwerk-Einstellungen auf den Geräten in einem LAN. IPconfig kann ein LAN auf angeschlossene Geräte scannen, und der Benutzer die Kommunikationsparameter für jedes einzelne Gerät festlegen, wie z. B. IP-Adresse, Netzmaske, Gateway, DNS und Hostname.

Mit IPconfig lässt sich die IP-Adresse des OJ GreenZone™ Masters auslesen und konfigurieren.

Nur TCP/IP-Geräte, die IPconfig unterstützen, können mit IPconfig gescannt werden. IPconfig kann von [www.ojelectronics.com](http://www.ojelectronics.com) heruntergeladen werden.

**KNX-Router-Schnittstelle für Zonen-Komponenten**

Der OJ GreenZone™ Master unterstützt die Kommunikation mit „KNX IP BAOS 772“-Router (Fabrikat Weinzierl) über die ObjektServer-Schnittstelle (siehe Abb. 20 und 21).

Der OJ GreenZone™ Master verwendet IP-Adresse „192.168.1.33“ als Standard-IP-Adresse für KNX-Router.

Download des aktuellen KNX-Protokolls unter [www.ojelectronics.com](http://www.ojelectronics.com).

**SERVICE UND WARTUNG**

Der OJ GreenZone™ Master enthält keine Komponenten, die Service oder Wartung erfordern. Bei Problemen bitte mit dem Zulieferer Kontakt aufnehmen.

**UMWELT UND ENTSORGUNG**

Helfen Sie mit, die Umwelt zu schützen durch umweltgerechte Entsorgung der Verpackung und von gebrauchten Produkten.

**Entsorgung des gebrauchten Produkts**

Produkte mit dieser Kennzeichnung dürfen nicht als normaler Hausmüll entsorgt werden, sondern sind gemäß den geltenden lokalen Vorschriften gesondert einzusammeln.

**OJ ELECTRONICS A/S**

Stenager 13B · DK-6400 Sønderborg

Tel. +45 73 12 13 14 · Fax +45 73 12 13 13

oj@ojelectronics.com · www.ojelectronics.com

**CE-KENNZEICHNUNG**

2004/108/EC EMV-RICHTLINIE

Richtlinie 2004/108/EG des Europäischen Parlaments und des Rates vom 15. Dezember 2004 zur Angleichung der Rechtsvorschriften der Mitgliedstaaten betreffend die elektromagnetische Verträglichkeit und zur Aufhebung der Richtlinie 89/336/EWG.

2006/95/EC NIEDERSPANNUNGSRICHTLINIE

Richtlinie 2006/95/EWG des Rates vom 12. Dezember 2006 zur Angleichung der Rechtsvorschriften der Mitgliedstaaten betreffend elektrische Betriebsmittel zur Verwendung innerhalb bestimmter Spannungsgrenzen.


**Angewandte Standards**

EN 60730-1 2000 / Automatische elektrische Regel- und Steuergeräte für den Hausgebrauch und ähnliche Anwendungen. Teil 1: Allgemeine Anforderungen.

**FEHLERSUCHE**

Symptom	Ursache	Behebung	
Nichts funktioniert am OJ GreenZone™-Master	Keine Spannungsversorgung	Kontrollieren, ob Spannung (24 V-) an den Klemmen 1 und 2 anliegt.	
	Defekter OJ GreenZone™ Master.	OJ GreenZone™ Master austauschen.	
Kann sich nicht am Webserver im OJ GreenZone™ Master über direkte LAN-Verbindung anmelden.	LAN-Kabel falsch angeschlossen	Kontrollieren, ob das LAN-Kabel an beiden Enden richtig angeschlossen ist.	
	Defektes LAN-Kabel.	LAN-Kabel austauschen.	
	Falsche IP-Adresse.	Eingestellte statische IP-Adresse im OJ GreenZone™ Master kontrollieren. Die IP-Adresse ist werkseitig auf „statische“ IP-Adresse 192.168.1.101 vorkonfiguriert.	Eingestellte statische IP-Adresse auf der Netzwerkkarte im PC kontrollieren. Die IP-Adresse des PCs muss sich von der oben genannten IP-Adresse unterscheiden. Die IP-Adresse der Netzwerkkarte des PCs auf z. B. 192.168.1.100 einstellen.
		Die richtige IP-Adresse in den Webbrowser eingeben: 192.168.1.101.	
		Netzkarte im PC defekt.	Mit einem anderen PC versuchen.
Defekter OJ GreenZone™ Master.	OJ GreenZone™ Master austauschen.		
Die Hauptanlage wird nicht gestartet, obwohl Betriebssignal von mindestens einer Zone anliegt – die Hauptanlage ist über Modbus angeschlossen.	Modbus-Kabel falsch angeschlossen.	Kontrollieren, ob das Modbus-Kabel an beiden Enden richtig angeschlossen ist.	
	Modbus-Kabel defekt.	Modbus-Kabel austauschen.	
	Falsche Konfiguration der Modbus-Kommunikation.	Konfiguration der Modbus-Kommunikation und Modbus-Adressen kontrollieren – siehe Installationsanleitung.	
Kann sich nicht am Webserver im OJ GreenZone™ Master über Router/DHCP-LAN-Verbindung anmelden.	IP-Adresse im OJ GreenZone™ Master ist auf „Statisch“ eingestellt.	Die IP-Adresse für „DHCP“ mit dem integrierten Webserver oder über das Dienstprogramm IPconfig einstellen.	
	LAN-Kabel falsch angeschlossen.	Alle LAN-Kabelverbindungen im Router, PC und OJ GreenZone™ Master kontrollieren.	
	IP-Adresse in der PC-Netz Karte auf „Statisch“ eingestellt.	IP-Adresse auf „automatische IP-Adresse zuweisen“ einstellen.	

Symptom	Ursache	Behebung
	Falsche IP-Adresse in der Adressenzeile.	Die richtige IP-Adresse in den Webbrowser eingeben: 192.168.1.101.
	Netzkarte im PC defekt.	Mit einem anderen PC versuchen.
	Defekter OJ GreenZone™ Master.	OJ GreenZone™ Master austauschen.
Kann sich nicht am Webserver im OJ GreenZone™ Master über ein Smartphone anmelden.	Der Wi-Fi-Router ist ausgeschaltet.	Wi-Fi-Router einschalten.
	Smartphone nicht mit Wi-Fi-Netzwerk verbunden.	Suche nach verfügbaren Netzwerken im Smartphone starten. Smartphone mit dem gleichen Netzwerk verbinden, an das der OJ GreenZone™ Master angeschlossen ist.
	Falsche IP-Adresse in der Adressenzeile.	Einen Webbrowser im Smartphone starten, und die richtige IP-Adresse im Webbrowser eingeben. Die IP-Adresse des OJ GreenZone™ Masters mit dem Dienstprogramm IPconfig auslesen.
Es fehlen ein oder mehrere OJ-Green-Zone-Module auf dem Webserver.	Fehlende Spannungsversorgung zu einem oder mehreren OJ-Green-Zone-Modulen.	Spannungsversorgung zu OJ-Green-Zone-Modulen kontrollieren. Siehe Anschluss der Spannungsversorgung in der Anleitung für OJ GreenZone™ Module, Abb. 8 und 9.
	Fehler im Modbus-Kabelanschluss zwischen OJ GreenZone™ Master und OJ-Green-Zone-Modulen oder zwischen OJ-Green-Zone-Modulen.	Den Modbus-Kabelanschluss zwischen OJ GreenZone™ Master und OJ-Green-Zone-Modulen sowie zwischen OJ-Green-Zone-Modulen kontrollieren.
	Defektes OJ GreenZone™ Module.	OJ GreenZone™ Module austauschen.
	Defekter OJ GreenZone™ Master.	OJ GreenZone™ Master austauschen.
Es erfolgt kein Alarm, obwohl Digitaleingang 1 aktiviert wird. <i>Funktion: Der Eingang erfasst Alarmmeldung vom Zuluftgebläse.</i>	Fehler im elektrischen Anschluss.	Elektrischen Anschluss kontrollieren. Siehe Abb. 11. Der Alarm wird ausgelöst, wenn der Eingang schließt (Ein).
Es erfolgt kein Alarm, obwohl Digitaleingang 2 aktiviert wird. <i>Funktion: Der Eingang erfasst Alarmmeldung vom Abluftgebläse.</i>	Fehler im elektrischen Anschluss.	Elektrischen Anschluss kontrollieren. Siehe Abb. 11. Der Alarm wird ausgelöst, wenn der Eingang schließt (Ein).
Die Zonen verbleiben in Bereitschaft, obwohl Digitaleingang 3 schließt.	Fehler im elektrischen Anschluss.	Elektrischen Anschluss kontrollieren. Siehe Abb. 11. Der Alarm wird ausgelöst, wenn der Eingang schließt (Ein).
Die Zonen verbleiben in Bereitschaft, obwohl Digitaleingang 3 schließt.	Fehlende Spannungsversorgung zu einem oder mehreren OJ-Green-Zone-Modulen.	Spannungsversorgung zu OJ-Green-Zone-Modulen kontrollieren. Siehe Anschluss der Spannungsversorgung in der Anleitung für OJ GreenZone™ Module, Abb. 8 und 9.
	Fehler im Modbus-Kabelanschluss zwischen OJ GreenZone™ Master und OJ-Green-Zone-Modulen oder zwischen OJ-Green-Zone-Modulen.	Den Modbus-Kabelanschluss zwischen OJ GreenZone™ Master und OJ-Green-Zone-Modulen sowie zwischen OJ-Green-Zone-Modulen kontrollieren.
	Defektes OJ GreenZone™ Module.	OJ GreenZone™ Module austauschen.
	Defekter OJ GreenZone™ Master.	OJ GreenZone™ Master austauschen.

Symptom	Ursache	Behebung
OJ GreenZone™ Master reagiert nicht auf Brandalarm im Eingang „FIRE“.	Fehler im elektrischen Anschluss.	Elektrischen Anschluss kontrollieren. Siehe Abb. 11. Der Alarm wird ausgelöst, wenn der Eingang schließt (Ein).
	Fehlende Spannungsversorgung zu einem oder mehreren OJ-Green-Zone-Modulen.	Spannungsversorgung zu OJ-Green-Zone-Modulen kontrollieren. Siehe Anschluss der Spannungsversorgung in der Anleitung für OJ GreenZone™ Module, Abb. 8 und 9.
	Fehler im Modbus-Kabelanschluss zwischen OJ GreenZone™ Master und OJ-Green-Zone-Modulen oder zwischen OJ-Green-Zone-Modulen.	Den Modbus-Kabelanschluss zwischen OJ GreenZone™ Master und OJ-Green-Zone-Modulen sowie zwischen OJ-Green-Zone-Modulen kontrollieren.
	Defektes OJ GreenZone™ Module.	OJ GreenZone™ Module austauschen.
	Defekter OJ GreenZone™ Master	OJ GreenZone™ Master austauschen.
OJ GreenZone™ Master reagiert nicht auf Eingang „MAX“.	Fehler im elektrischen Anschluss.	Elektrischen Anschluss kontrollieren. Siehe Abb. 11. Die Funktion wird ausgelöst, wenn der Eingang schließt (Ein).
	Fehlende Spannungsversorgung zu einem oder mehreren OJ-Green-Zone-Modulen.	Spannungsversorgung zu OJ-Green-Zone-Modulen kontrollieren. Siehe Anschluss der Spannungsversorgung in der Anleitung für OJ GreenZone™ Module, Abb. 8 und 9.
	Fehler im Modbus-Kabelanschluss zwischen OJ GreenZone™ Master und OJ-Green-Zone-Modulen oder zwischen OJ-Green-Zone-Modulen.	Den Modbus-Kabelanschluss zwischen OJ GreenZone™ Master und OJ-Green-Zone-Modulen sowie zwischen OJ-Green-Zone-Modulen kontrollieren.
	Defektes OJ GreenZone™ Module.	OJ GreenZone™ Module austauschen.
	Defekter OJ GreenZone™ Master	OJ GreenZone™ Master austauschen.
OJ GreenZone™ Master reagiert nicht auf Eingang „MIN“.	Fehler im elektrischen Anschluss.	Elektrischen Anschluss kontrollieren. Siehe Abb. 11. Die Funktion wird ausgelöst, wenn der Eingang schließt (Ein).
	Fehlende Spannungsversorgung zu einem oder mehreren OJ-Green-Zone-Modulen.	Spannungsversorgung zu OJ-Green-Zone-Modulen kontrollieren. Siehe Anschluss der Spannungsversorgung in der Anleitung für OJ GreenZone™ Module, Abb. 8 und 9.
OJ GreenZone™ Master reagiert nicht auf Eingang „CLOSE“.	Fehler im Modbus-Kabelanschluss zwischen OJ GreenZone™ Master und OJ-Green-Zone-Modulen oder zwischen OJ-Green-Zone-Modulen.	Den Modbus-Kabelanschluss zwischen OJ GreenZone™ Master und OJ-Green-Zone-Modulen sowie zwischen OJ-Green-Zone-Modulen kontrollieren.
	Defektes OJ GreenZone™ Module.	OJ GreenZone™ Module austauschen.
	Defekter OJ GreenZone™ Master.	OJ GreenZone™ Master austauschen.
Fühler zeigen falschen Wert.	Fehler im elektrischen Anschluss.	Elektrischen Anschluss kontrollieren. Siehe Abb. 12.  Bitte beachten, Klemme Nr. 15 wird nicht benutzt und muss leer bleiben.
	Falscher Fühlertyp.	Kontrollieren, ob der Fühler vom Typ PT-1000 ist.
	Fühler ist nicht korrekt positioniert.	Fühlerplatzierung kontrollieren.

Symptom	Ursache	Behebung
	Fühler defekt.	Kontrollmessung der angeschlossenen Fühler vornehmen. Der Fühler muss einen Widerstand von ca. 1078 Ω bei 20 °C aufweisen. Fühler austauschen.
Zuluftgebläse regelt oder läuft nicht.	Fehler im elektrischen Anschluss von Analogausgang 1 (Aou1). Unterbrochene oder abgeschaltete Spannungsversorgung zum Zuluftgebläse oder Frequenzumrichter. Defekter OJ GreenZone™ Master.	Elektrischen Anschluss kontrollieren. Siehe Abb. 5. Spannungsversorgung zum Gebläse und Frequenzumrichter kontrollieren. OJ GreenZone™ Master austauschen.
Abluftgebläse regelt oder läuft nicht.	Fehler im elektrischen Anschluss von Analogausgang 2 (Aou2). Unterbrochene oder abgeschaltete Spannungsversorgung zum Abluftgebläse oder Frequenzumrichter. Defekter OJ GreenZone™ Master.	Elektrischen Anschluss kontrollieren. Siehe Abb. 5. Spannungsversorgung zum Gebläse und Frequenzumrichter kontrollieren. OJ GreenZone™ Master austauschen.
Umwälzpumpe für das Kühlwasser regelt oder läuft nicht.	Fehler im elektrischen Anschluss von Analogausgang 3 (Aou3). Unterbrochene oder abgeschaltete Spannungsversorgung zur Umwälzpumpe oder zum Frequenzumrichter. Defekter OJ GreenZone™ Master.	Elektrischen Anschluss kontrollieren. Siehe Abb. 5. Spannungsversorgung zur Pumpe und zum Frequenzumrichter kontrollieren. OJ GreenZone™ Master austauschen.
Freigabesignal für Kühlung (Dou1) funktioniert nicht.	Fehler im elektrischen Anschluss von Digitalausgang 1 (Dou1). Unterbrochene oder abgeschaltete Spannungsversorgung zum Kühlsystem. Es besteht kein Kühlbedarf. Defekter OJ GreenZone™ Master.	Elektrischen Anschluss kontrollieren. Siehe Abb. 6. Spannungsversorgung zum Kühlsystem kontrollieren. Kühlbedarf durch Absenken des Temperatursollwerts erzeugen. OJ GreenZone™ Master austauschen.
Freigabesignal für Heizung (Dou2) funktioniert nicht.	Fehler im elektrischen Anschluss von Digitalausgang 2 (Dou2). Unterbrochene oder abgeschaltete Spannungsversorgung zum Heizsystem. Es besteht kein Heizbedarf. Defekter OJ GreenZone™ Master.	Elektrischen Anschluss kontrollieren. Siehe Abb. 6. Spannungsversorgung zum Heizsystem kontrollieren. Heizbedarf durch Anheben des Temperatursollwerts erzeugen. OJ GreenZone™ Master austauschen.

Symptom	Ursache	Behebung
Startsignal (Dou3) zum Start der Hauptanlage funktioniert nicht.	Fehler im elektrischen Anschluss von Digitalausgang 3 (Dou3).	Elektrischen Anschluss kontrollieren. Siehe Abb. 7.
	Unterbrochene oder abgeschaltete Hauptanlage.	Spannungsversorgung zur Hauptanlage (RLT) kontrollieren.
	Fehlendes Betriebssignal von den Zonen.	Mindestens eine Zone für Betrieb aktivieren.
	Defekter OJ GreenZone™ Master.	OJ GreenZone™ Master austauschen.
A-Alarme (Dou4) werden nicht aktiviert, obwohl A-Alarme im System vorliegen.	Fehler im elektrischen Anschluss von Digitalausgang 4 (Dou4).	Elektrischen Anschluss kontrollieren. Siehe Abb. 7.
	Defekter OJ GreenZone™ Master.	OJ GreenZone™ Master austauschen.
B-Alarme (Dou5) werden nicht aktiviert, obwohl B-Alarme im System vorliegen.	Fehler im elektrischen Anschluss von Digitalausgang 5 (Dou5).	Elektrischen Anschluss kontrollieren. Siehe Abb. 7.
	Defekter OJ GreenZone™ Master.	OJ GreenZone™ Master austauschen.



## LISTE DES FIGURES

Les figures suivantes sont situées au dos des instructions :

- Fig. 1: OJ GreenZone™ Master
- Fig. 2: Dimensions, vue de face
- Fig. 3: Dimensions, vue de côté
- Fig. 4: Aperçu des connecteurs dans OJ GreenZone™ Master
- Fig. 5: Sorties analogiques 0-10 VCC
- Fig. 6: Sorties numériques (Dou1 et Dou2)
- Fig. 7: Sorties numériques (Dou3, Dou4 et Dou5)
- Fig. 8: Connecteur Modbus RJ12: Modbus Out1, Modbus Out2, « Cascade In » [Entrée cascade]
- Fig. 9: Raccordement du câble Modbus
- Fig. 10: Raccordement de la source d'alimentation
- Fig. 11: Entrées numériques (Din1...Din6)
- Fig. 12: Raccordement des sondes PT1000
- Fig. 13: Lecteur de carte SD
- Fig. 14: TCP/IP GTB, Modbus AHU, « Cascade Out » [Sortie cascade]
- Fig. 15: Modbus Out1, Modbus Out2 et « Cascade In » [Entrée cascade]
- Fig. 16: Configuration électrique en cascade Modbus
- Fig. 17: Aperçu de la position du connecteur
- Fig. 18: Raccordement des OJ GreenZone™ Modules
- Fig. 19: Aperçu de la configuration
- Fig. 20: Configuration de communication
- Fig. 21: Configuration KNX
- Fig. 22: Raccordement électrique quand l'AHU active les zones
- Fig. 23: Raccordement électrique quand les zones engagent l'AHU
- Fig. 24: Connecteur Modbus RJ12: Modbus AHU et « Cascade Out » [Sortie cascade]
- Fig. 25: Raccordement Modbus à l'OJ-Air2 Master
- Fig. 26: Raccordement Modbus à une AHU de tierce partie
- Fig. 27: Configuration - La demande ventilation contrôlée
- Fig. 28: Configuration - Ventilateur de sortie commun

Fig. 29: Configuration - Direction VAV

Fig. 30: Configuration - Protection de pression

Fig. 31 : Configuration - Esclave dans une grande pièce

Fig. 32: Configuration - Comment définir l'adresse?

## INTRODUCTION

L'OJ GreenZone™ Master est un contrôleur électronique capable de contrôler jusqu'à 25 zones VAV dans un système de ventilation. L'OJ GreenZone™ Master contient toutes les fonctions nécessaires au contrôle de 25 zones par l'OJ GreenZone™ Module. Un maximum de cinq OJ GreenZone™ Masters peut être raccordé dans un système entièrement élargi. Un système OJ GreenZone™ entièrement élargi peut donc contrôler jusqu'à 125 zones.

## DESCRIPTION

L'OJ GreenZone™ Master est la composante intelligente d'un système OJ GreenZone™, alors que les OJ GreenZone™ Modules ne contrôlent que les zones/locaux individuels. L'OJ GreenZone™ Master et les Green Zone Modules raccordés sont configurés par le serveur Web intégré.

L'OJ GreenZone™ Master contient une fonction sophistiquée qui optimise le contrôle de la vitesse du ventilateur et la pompe d'eau chaude et/ou froide. On peut accéder aux paramètres du contrôle et du confort de l'OJ GreenZone™ Master par le serveur Web intégré ou en raccordant le système OJ GreenZone™ à un système de Gestion Technique de Bâtiment (GTB) à partir duquel il peut être opéré.

Le protocole de communication GTB est soit Modbus ou BACnet. Les composantes KNX dans les zones peuvent être connectées au moyen du convertisseur KNX/Ethernet.

L'OJ GreenZone™ Master communique avec les OJ GreenZone™ Modules dans les zones raccordées par Modbus RS485 standard. En combinant un maximum de cinq OJ GreenZone™ Masters dans un système où chaque Master contrôle jusqu'à vingt-cinq OJ GreenZone™ Modules, il est possible de contrôler et réguler 125 zones/locaux individuels.

Les opérations quotidiennes peuvent être exécutées par le serveur incorporé, un système GTB raccordé ou un téléphone intelligent. Voir fig. 20.

## GAMME DE PRODUITS

### Produits d'OJ Electronics

Type	Produit
OJ-ZoneMaster	Module maître pour contrôler un maximum de 25 unités OJ GreenZone™ Module M
OJ-ZoneModule-M	Module de zone pour le contrôle d'une zone avec des actionneurs Modbus directs
OJ-ZoneModule-A	Module de zone pour le contrôle d'une zone avec des actionneurs 0-10 V
OJ-ZoneModule-MP	Module de zone pour le contrôle d'une zone avec des actionneurs MP Bus
OJ-Air2PWR80	Unité d'alimentation en tension, 2x24 VCA, 2x60 VA
ETT-KH	Couvercle pour l'OJ GreenZone™ Module M, montage mural
PTH-6202	Transmetteur de pression avec Modbus
ETF-1798	PT1000 capteur de température extérieure (°C)
ETF-598B-5	PT1000 capteur de température extérieure (°C)
OJ-Air2Split	Routeur Modbus, 4 x connecteurs + 8 bornes x 1,5 mm <sup>2</sup>

### Produits d'autres fournisseurs

Type	Produit
Câble téléphonique, type : TD6006 noir	Câble téléphonique 6 fils, marque : INEC
Connecteur TE Connectivity, RJ12	Connecteur téléphonique modulaire 6/6, connecteur RJ12 standard

### Produits KNX

Type	Produit
Weinzierl, BAOS 772, KNX/IP	Passerelle KNX TCP/IP
Arcus -EDS, SK03-TFK	Sonde KNX, température de local, humidité relative
Arcus -EDS, AE-S8-CO2-TF	Sonde KNX, température de local, humidité relative, CO2
Arcus -EDS, SK03R-T	Sonde KNX, température de local, +/- « offset » [décalage] °C
Arcus -EDS, SK01-T-KTF1	Sonde KNX, température (montage dans conduit)

Type	Produit
Züblin Elektro, Swiss Garde 360 KNX	Sonde KNX, sonde PIR de mouvement
Eisner Elektronik, KNX VOC-Up de base	Sonde KNX, sonde VOC (montage mural)
MDT technologies, KNX entrée binaire	Module d'entrée KNX pour signaux de fenêtres et de givre
GIRA, 2104	Sonde KNX, température de local, humidité relative, CO2

## INSTALLATION

L'OJ Zone Master s'installe sur un rail DIN 35 mm standard monté dans une enceinte en métal qui répond à la classification du site d'installation (voir fig. 2 et 3 pour les dimensions d'une unité). Un aperçu de la configuration physique du système est présenté à la fig. 19.

L'OJ GreenZone™ Master doit être alimenté par une source de 24 VCA +/-15% et est donc muni de bornes à vis (max. 1,5 mm<sup>2</sup>) pour cette fin.

Les autres connexions sont réalisées par une combinaison de raccords RJ12 et de bornes vissées pour le raccordement de fils de section max. de 1,5 mm<sup>2</sup>.

### Raccordement électrique (voir aperçu à la fig. 1)

À la fig. 4, tous les connecteurs sont marqués d'une lettre (A – P).


Voir ci-dessous pour les descriptions des raccordements électriques des différentes composantes, entrées et sorties ainsi que pour autres signaux de l'OJ GreenZone™ Master.

### Raccordement des sorties analogiques marquées « A » (voir les fig. 4 et 5)

L'OJ GreenZone™ Master est muni de trois sorties analogiques (0-10 VCC) (voir fig. 4 et 5).

La sortie analogique 1 est marquée « **Aou1** » (borne 17) et peut être utilisée pour contrôler la vitesse du ventilateur d'entrée du système de ventilation (unité principale).

La sortie analogique 2 est identifiée « **Aou2** » (borne 18) et elle peut être utilisée pour contrôler la vitesse du ventilateur de sortie du système de ventilation (unité principale).

La sortie analogique 3 est identifiée « **Aou3** » (borne 19) et elle peut être utilisée pour contrôler la vitesse de la pompe de circulation du système de refroidissement. La connexion partagée à la terre (GND) est identifiée  (borne 16).


Afin de contrôler les ventilateurs de façon aussi énergétiquement efficace que possible, l'OJ GreenZone™ Module contient une fonction intégrée qui optimise




constamment la position du registre. Cette optimisation assure que la pression dans le conduit soit aussi basse que possible, que les zones reçoivent le bon volume d'air et qu'il n'y a pas de registre de zone VAV ouvert à plus de 80 %. S'il y a une demande de refroidissement dans au moins une zone, la température d'entrée de l'unité principale est calculée en fonction du point de consigne minimum dans l'OJ GreenZone™ Master. S'il n'y a pas de demande de refroidissement dans une des zones, la température d'entrée de l'unité principale est calculée en fonction du plus bas point de consigne calculé pour les zones raccordées. La vitesse de la pompe de circulation d'eau de refroidissement est contrôlée de façon à assurer suffisamment de pression pour que les valves de refroidissement de zone soient ouvertes à au moins 80 %. La pression dans le système de refroidissement est donc réduite et il y a également réduction de la consommation d'énergie par la pompe de refroidissement.

#### Raccordement des sorties numériques identifiées « B » et « C » - signal d'activation, chauffage/refroidissement (voir fig. 4 et 6)

L'OJ GreenZone™ Master est muni de deux sorties numériques libres de potentiel qui sont activées quand la zone est en état de chauffage ou de refroidissement respectivement. La tension max. sur « Dou1 » et « Dou2 » est 230 V et la charge max. est 5 A.

La sortie  (bornes 20-21) peut être utilisée pour démarrer la pompe de circulation du système de refroidissement (fig. 6).


La sortie  (bornes 22-23) peut être utilisée pour démarrer la pompe de circulation du système de refroidissement (fig. 6).

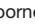
#### Raccordement des sorties numériques identifiées « D, E et F » - signal de fonctionnement et relais d'alarme (voir fig. 4 et 7)

L'OJ GreenZone™ Master est muni de trois sorties numériques libres de potentiel qui sont activées dans les cas suivants :

La tension max. sur « Dou3 », « Dou4 » et « Dou5 » est 30 V et la charge max. est 5 A.

La sortie « **START** » [DÉMARRAGE] bornes 24-25) est activée quand au moins une zone est en fonction (fig. 7).

Sortie « A  » (bornes 26-27) est activée quand une alarme-A survient dans le système zone (fig. 7).

Sortie « B  » (bornes 28-29) est activée quand une alarme-A survient dans le système zone (fig. 7).



#### Raccordement de l'alimentation identifiée « G » (voir fig. 4 et 10)

L'OJ GreenZone™ Master doit être raccordé à une alimentation de 24 VCC aux bornes 1 et 2 (voir fig. 4 et 10).

#### Raccordement des entrées numériques identifiées « H, J et K »

(voir fig. 4 et 11)

L'OJ GreenZone™ Master est muni de six entrées numériques.

- L'entrée numérique 1 (« **Din1** »), bornes 3 et 4, est identifiée par ce symbole  et elle est utilisée pour signal d'alarme du ventilateur d'entrée. Le signal d'alarme peut être produit par un relais de surcharge, un fusible thermique ou équipement similaire. L'alarme est activée quand l'entrée est activée.
- L'entrée numérique 2 (« **Din2** »), bornes 4 et 5, est identifiée par ce symbole  et elle est utilisée pour signal d'alarme du ventilateur de sortie. Le signal d'alarme peut être produit par un relais de surcharge, un fusible thermique ou équipement similaire. L'alarme est activée quand l'entrée est activée.
- L'entrée numérique 3 (« **Din3** »), bornes 6 et 7, est identifiée par ce symbole « **START** » [DÉMARRAGE] et elle est utilisée pour changer l'état de toutes les zones raccordées. Quand l'entrée (« **Din3** ») est ouverte, toutes les zones sont en mode attente impliquant que tous les registres VAV sont fermés et que l'arrêt des zones est forcé. L'entrée peut être utilisée si c'est l'unité principale qui doit activer l'opération de zone. Connexion électrique, voir fig. 22. Si l'unité principale doit être démarrée par la première zone active, par ex. quand du mouvement est détecté par une sonde PIR, l'entrée (« **Din3** ») doit être ouverte. Connexion électrique, voir fig. 23.
- L'entrée numérique 4 (« **Din4** »), bornes 7 et 8, est identifiée par ce symbole « **FIRE** » [INCENDIE] et est utilisée pour arrêter l'unité principale s'il y a un risque d'incendie. Le signal d'alarme peut être produit par un système central d'alarme incendie, un thermostat d'incendie, un détecteur mécanique de fumée ou autre appareil semblable. L'alarme est activée quand l'entrée est ouverte. Le mode de fonctionnement du système pendant un incendie est réglé par l'installateur via l'interface utilisateur-Web et peut être réglé pour un volume d'air max. et les registres VAV complètement ouverts ou pour zéro volume d'air, les registres VAV complètement fermés et l'unité principale inactive (voir les instructions pour l'installateur pour plus d'information).
- L'entrée numérique 5 (« **Din5** »), bornes 9 et 10, est marquée du symbole « **MAX** » et est utilisée pour forcer toutes les vannes de zone VAV connectées à s'ouvrir au volume d'air max. lorsque l'entrée est activée (voir les instructions d'installation pour de plus amples informations).

- L'entrée numérique 6 (« **Din6** »), terminaux 10 et 11, est marquée du symbole « **MIN** » et est utilisée pour forcer toutes les vannes de zone VAV connectées à se fermer au volume d'air min. lorsque l'entrée est activée (voir les instructions d'installation pour de plus amples informations).

#### Raccordement des entrées de sonde identifiées « **L** » (voir fig. 4 et 12)

OJ GreenZone™ Master est équipé de deux entrées de capteur PT1000 pour la connexion d'un capteur de température dans le circuit de refroidissement/réservoir tampon de la pompe de chauffage et d'un capteur de température extérieure. Ces capteurs sont des capteurs PT1000 standard, par ex. de type ETF-x98 de OJ Electronics.

La sonde de température qui mesure la température doit être raccordée aux bornes 12 et 13. La sonde peut être du type qui mesure la température de surface de la conduite d'eau de refroidissement ou du type prévu pour une installation dans un doigt de gant.

La sonde de température qui mesure la température extérieure doit être raccordée aux bornes 13 et 14.

#### NOTE!

*Notez que la borne 15 n'a pas de fonction !*

#### Raccordement du connecteur TCP/IP GTB identifié par « **N** »

(voir fig. 14 et 17)

L'OJ GreenZone™ Master est muni d'un connecteur standard RJ45 pour connexion à un réseau TCP/IP ou directement à un système GTB (voir fig. 14 et la section « Protocole de communication » de ces instructions).

Le connecteur TCP/IP GTB est aussi utilisé pour accéder au serveur Web intégré.

#### Raccordement du connecteur Modbus AHU identifié par « **N** »

(voir fig. 4, 14 et 17)

L'OJ GreenZone™ Master est muni d'un connecteur standard RJ12 (voir la disposition des bornes à la fig. 24) pour le raccordement d'une unité de contrôle de l'air (voir fig. 17). Le protocole de communication est Modbus RS485 (voir fig. 14, 25 et 26 ainsi que les instructions pour l'installateur pour information à propos de produit).

#### Raccordement du connecteur « **CASCADE OUT** » [SORTIE CASCADE] identifié par « **N** » (voir fig. 4, 14 et 17)

L'OJ GreenZone™ Master est muni d'un connecteur standard RJ12 (voir la disposition des bornes à la fig. 24) pour le raccordement jusqu'à cinq OJ GreenZone™

Masters dans un système OJ GreenZone™ entièrement élargi. Les OJ GreenZone™ Masters sont raccordés en cascade, comme montré à la fig. 16. Le premier OJ GreenZone™ Master est le « MASTER 1 » [MAÎTRE 1] du système et le connecteur « Cascade out » [sortie cascade] n'est pas utilisé pour cet OJ GreenZone™ Master.

#### Raccordement du connecteur « **CASCADE IN** » [ENTRÉE CASCADE] identifié par « **P** » (voir fig. 4, 14, 15 et 16)

Voir ci-haut « CASCADE OUT » [SORTIE CASCADE] (voir disposition des bornes à la fig. 8).

#### Raccordement des connecteurs Modbus Out1 et Modbus Out2 identifiés « **P** » (voir fig. 4, 15 et 17)

L'OJ GreenZone™ Master est muni de deux connecteurs standards RJ12 (voir la disposition des bornes à la fig. 8) pour le raccordement et la liaison des OJ GreenZone™ Modules dans un système OJ GreenZone™ élargi. Un maximum de 25 OJ GreenZone™ Modules peut être raccordé à un OJ GreenZone™ Master. Voir fig. 18. Les OJ GreenZone™ Modules sont raccordés en série (en cascade). Un nombre quelconque d'OJ GreenZone™ Modules peut être raccordé à chacun des deux connecteurs « Modbus Out1 » et « Modbus Out2 » tant que le nombre maximum de 25 OJ GreenZone™ Modules n'est pas dépassé.

Si d'autres OJ GreenZone™ Modules sont requis dans le même système, un OJ GreenZone™ Master doit être installé pour chaque 25 OJ GreenZone™ Modules. Voir fig. 16.

#### Protection contre la dépression/surpression dans les conduits

La pression dans le système de conduit peut être limitée/réglée en installant un transmetteur de pression PTH-3202 dans le conduit d'échappement et le conduit d'entrée ; voir fig. 30 et 31. Le transmetteur de pression P1 est installé dans le conduit d'échappement et dispose d'un tube relié à la pièce d'extrémité - (mesure la dépression). La pièce d'extrémité + ne doit pas être reliée. Le transmetteur de pression P2 est installé dans le conduit d'entrée et dispose d'un tube relié à la pièce d'extrémité + (mesure la surpression). La pièce d'extrémité - ne doit pas être reliée.

#### Pression constante dans le conduit (module de zone A)

Si le système de zone est installé avec le module de zone A, la pression du conduit doit toujours être régulée de manière à être constante. Cette action peut être réalisée par un système de ventilation ou en reliant les transmetteurs de pression P1 et P2 au maître de la zone, tel que décrit plus en détail ci-dessous.

**Lecteur de carte SD intégré identifié par « M »**

L'OJ GreenZone™ Master contient un lecteur de carte SD intégré qui peut accepter des SDHC standards jusqu'à 8 GB (voir fig. 4 et 13).

Le lecteur de carte est utilisé pour faire la mise à jour du logiciel de l'OJ GreenZone™ Master et pour enregistrer des données.

Les fichiers de données peuvent être transmis à OJ Electronics A/S aux fins de diagnostic suivant une entente préalable avec un représentant du département de soutien chez OJ Electronics A/S. Communiquez avec le département de soutien à support@oj.dk.

*NOTE! La carte SD doit être introduite dans le lecteur avec les surfaces de contact en premier.*

**Sauvegarde des données dans l'OJ GreenZone™ Master**

Si des défaillances de communication et/ou une perte d'alimentation de l'OJ GreenZone™ Master surviennent, toutes les données seront sauvegardées. Quand la communication et/ou l'alimentation sont rétablies, l'OJ GreenZone™ Master reprendra automatiquement son opération normale.

**CARACTÉRISTIQUES TECHNIQUES**

24 VCA +/-15 % (voir fig. 10)	..... Tension d'alimentation
Consommation de puissance, sans charge	..... ≤ 5 VA
Connexions TCP/IP	..... 1 x connecteur RJ45 (8P8C)
Connexion Modbus	..... 5 x connecteurs RJ12 (6P6C)
Communication Modbus	..... RS485, 38,4 kilobauds
Adresse Modbus, OJ Zone Master	..... Réglée en usine à 192.168.1.101
Entrées numériques	..... 6 x « pull-up »
Sorties numériques	..... 2 x sans potentiel (max. 230 VCA 5 A)
.....	..... 3 x sans potentiel (max. 30 VCA 5 A)
Entrées de sonde	..... 2 x PT1000
Résolution, température	..... 0,01 °C
Tensions de sortie	..... 3 x 0-10 VCC
Norme du boîtier	..... IP20
Dimensions	..... (voir fig. 2 et 3)
Poids	..... 430 g

**Configuration de l'OJ GreenZone™ Master**

L'OJ GreenZone™ Master et les Green Zone Modules raccordés sont configurés par le serveur Web intégré. Pour de l'information à propos du serveur Web, veuillez consulter les instructions pour l'installateur.



La version courante des instructions pour l'installateur est disponible à [www.ojelectronics.com](http://www.ojelectronics.com).

**PROTOCOLES DE COMMUNICATION****BACnet, TCP/IP à GTB**

L'OJ GreenZone™ Master supporte BACnet pour la communication TCP/IP avec un système GTB. Le BACnet TCP/IP doit être raccordé au connecteur identifié par « TCP/IP BMS » [TCP/IP GTB] (voir fig. 14).

Protocole BACnet :

Le protocole courant BACnet est disponible à [www.ojelectronics.com](http://www.ojelectronics.com).

**Modbus, TCP/IP à GTB**

L'OJ GreenZone™ Master supporte Modbus pour la communication TCP/IP avec un système GTB. Le Modbus TCP/IP doit être raccordé au connecteur identifié par « TCP/IP BMS » [TCP/IP GTB] (voir fig. 14).

Protocole Modbus:

Le protocole courant Modbus est disponible à [www.ojelectronics.com](http://www.ojelectronics.com).

**TCP/IP**

L'OJ GreenZone™ Master utilise les paramètres standards suivants pour un réseau TCP/IP :

Adresse IP:	192.168.1.101
Masque réseau:	255.255.255.0
Passerelle:	192.168.1.1
DNS:	192.168.1.1
DNS alternatif:	0.0.0.0

OJ GreenZone™ Master prend en charge « IPconfig ». IPconfig est un programme utilitaire sur ordinateur permettant de régler et de consulter les paramètres réseau TCP/IP pour les unités connectées à un réseau LAN. IPconfig peut scanner un réseau LAN pour les unités connectées et l'utilisateur peut définir les paramètres de communication, par exemple l'adresse IP, le masque de sous-réseau, la passerelle, le DNS et le nom d'hôte pour chaque unité individuellement.

IPconfig permet de lire et de configurer l'adresse IP du OJ GreenZone™ Master. Seules les unités TCP/IP prenant en charge IPconfig peuvent être scannées par IPconfig.

Vous pouvez télécharger IPconfig à l'adresse [www.ojelectronics.com](http://www.ojelectronics.com).

**L'interface de routeur KNX pour les composantes de zone**

L'OJ GreenZone™ Master supporte la communication avec le routeur KNX « KNX IP BAOS 772 » (fabricant : Weinzierl) via son interface « ObjectServer » (voir fig. 20 et 21).

L'OJ GreenZone™ Master utilise l'adresse IP « 192.168.1.33 » comme adresse par défaut pour le routeur KNX.

Le protocole courant KNX est disponible chez [www.ojelectronics.com](http://www.ojelectronics.com).

**SERVICE ET ENTRETIEN**

L'OJ GreenZone™ Master ne contient pas de composantes qui requièrent du service ou de la maintenance.

Veuillez communiquer avec votre fournisseur si un défaut apparaît.

**MISE AU REBUT ET PROTECTION DE L'ENVIRONNEMENT**

Aidez à la protection de l'environnement en disposant de l'emballage et des produits superflus de façon écologiquement responsable.

**Mise au rebut de produits**

Les produits identifiés par ce symbole ne doivent pas être rebutés avec les déchets domestiques, mais doivent être livrés à un centre de collecte de déchets conformément aux règlements locaux applicables.

**OJ ELECTRONICS A/S**

Stenager 13B · DK-6400 Sønderborg

Tél. +45 73 12 13 14 · Fax +45 73 12 13 13

[oj@ojelectronics.com](mailto:oj@ojelectronics.com) · [www.ojelectronics.com](http://www.ojelectronics.com)

**HOMOLOGATION CE**

2004/108/CE DIRECTIVE CEM

La directive 2004/108/CE du parlement européen et du conseil du 15 décembre 2004 relative au rapprochement des législations des États membres concernant la compatibilité électromagnétique et abrogeant la directive 89/336/CEE.

2006/95/CE DIRECTIVE BASSE TENSION

La directive 2006/95/CE du parlement européen et du conseil du 12 décembre 2006 concernant le rapprochement des législations des États membres relatives au matériel électrique destiné à être employé dans certaines limites de tension

**Normes appliquées**


EN 60730-1 : 2000 / Contrôles électriques automatiques pour domicile et usage similaire., Partie 1 : Exigences générales

**DÉPANNAGE**

Symptôme	Cause	Action	
L'OJ GreenZone™ Master est totalement inopérant	Pas d'alimentation	Vérifiez qu'il y a une tension (24 VCC) aux bornes 1 et 2.	
	OJ GreenZone™ Master défectueux	Remplacez l'OJ GreenZone™ Master.	
Impossible de se connecter au serveur Web de l'OJ GreenZone™ Master par la connexion « LAN » [réseau local] directe	Câble « LAN » [réseau local] raccordé incorrectement	Vérifiez que le câble « LAN » [réseau local] a été correctement raccordé aux deux extrémités.	
	Câble « LAN » [réseau local] défectueux	Remplacer câble de réseau local.	
	Adresse IP incorrecte		Vérifiez le réglage de l'adresse IP statique de l'OJ GreenZone™ Master L'adresse IP est préconfigurée en usine comme adresse IP « statique » 192.168.1.101.
			Vérifiez le réglage de l'adresse IP statique de la carte réseau du PC. L'adresse IP de la carte réseau du PC doit être différente de l'adresse IP ci-dessus. Réglez l'adresse IP de la carte de réseau du PC, par ex. 192.168.1.100.
			Entrez l'adresse IP correcte dans le navigateur Web : 192.168.1.101.
Carte de réseau de l'ordinateur défectueuse	Essayez à nouveau avec un autre PC.		
	OJ GreenZone™ Master défectueux	Remplacez l'OJ GreenZone™ Master.	

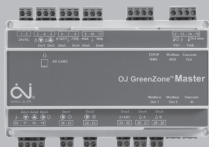
Symptôme	Cause	Action
L'unité principale ne démarre pas même s'il y a un signal d'opération d'au moins une zone, l'unité principale est raccordée via Modbus.	Câble Modbus raccordé incorrectement	Vérifiez que le câble Modbus a été correctement raccordé aux deux extrémités.
	Câble Modbus défectueux	Remplacez le câble Modbus.
	Communication Modbus réglée incorrectement	Vérifiez le réglage de la communication Modbus et les adresses Modbus, voir les instructions pour l'installateur.
Impossible de se connecter au serveur Web de l'OJ GreenZone™ Master par la connexion « LAN » [réseau local] du routeur/DNCP	L'adresse IP de l'OJ GreenZone™ Master est réglée à « statique »	Définissez l'adresse IP sur « DHCP » au moyen du serveur Web intégré ou via le programme utilitaire IPconfig.
	Câbles « LAN » [réseau local] raccordés incorrectement	Vérifiez tous les raccordements des câbles « LAN » [réseau local] au routeur, PC et OJ GreenZone™ Master.
	L'adresse IP de la carte réseau du PC est réglée à « statique »	Réglez l'adresse IP à « Obtenir une adresse IP automatiquement ».
	Adresse IP incorrecte dans la ligne d'adressage	Entrez l'adresse IP correcte dans le navigateur Web : 192.168.1.101.
	Carte de réseau de l'ordinateur défectueuse	Essayez à nouveau avec un autre PC.
	OJ GreenZone™ Master défectueux	Remplacez l'OJ GreenZone™ Master.
Impossible de se connecter au serveur Web de l'OJ GreenZone™ Master par téléphone intelligent.	Le routeur Wi-Fi est arrêté	Démarrez le routeur Wi-Fi.
	Le téléphone intelligent n'est pas connecté au réseau Wi-Fi	Recherchez des réseaux disponibles sur votre téléphone intelligent. Connectez le téléphone intelligent au même réseau que celui où l'OJ GreenZone™ Master est connecté.
	Adresse IP incorrecte dans la ligne d'adressage	Démarrez un navigateur sur votre téléphone intelligent et entrez la bonne adresse IP dans le navigateur. L'adresse IP du OJ GreenZone™ Master est lue au moyen du programme utilitaire IPconfig.
Un ou plusieurs OJ GreenZone™ Modules sont manquants dans le serveur Web	Un ou plusieurs OJ GreenZone™ Modules ne sont pas alimentés	Vérifiez l'alimentation des OJ GreenZone™ Modules. L'alimentation adéquate pour un OJ GreenZone™ Module est illustrée aux fig. 8 et 9 des instructions pour l'OJ GreenZone™ Module.
	Il y a un défaut de raccordement du câble Modbus entre l'OJ GreenZone™ Master et les OJ GreenZone™ Modules ou entre des OJ GreenZone™ Modules successifs.	Vérifiez le raccordement du câble Modbus entre l'OJ GreenZone™ Master et les OJ GreenZone™ Modules et entre les OJ GreenZone™ Modules successifs.
	OJ GreenZone™ Module défectueux	Remplacez l'OJ GreenZone™ Module.
	OJ GreenZone™ Master défectueux	Remplacez l'OJ GreenZone™ Master.
Il n'y a pas d'alarme générée quand l'entrée numérique 1 est activée <i>Fonction: L'entrée détecte les alarmes du ventilateur d'entrée</i>	Mauvais raccordement électrique	Vérifier le raccordement électrique. Voir fig. 11. L'alarme est déclenchée quand l'entrée est activée.
Il n'y a pas d'alarme générée quand l'entrée numérique 2 est activée <i>Fonction: L'entrée détecte les alarmes du ventilateur de sortie</i>	Mauvais raccordement électrique	Vérifier le raccordement électrique. Voir fig. 11. L'alarme est déclenchée quand l'entrée est activée.

Symptôme	Cause	Action
Les zones demeurent en mode attente quand l'entrée numérique 3 est activée	Mauvais raccordement électrique	Vérifier le raccordement électrique. Voir fig. 11. L'alarme est déclenchée quand l'entrée est activée.
	Pas d'alimentation pour un ou plusieurs OJ GreenZone™ Modules	Vérifiez l'alimentation des OJ GreenZone™ Modules. L'alimentation adéquate pour un OJ GreenZone™ Module est illustrée aux fig. 8 et 9 des instructions pour l'OJ GreenZone™ Module.
	Il y a un défaut de raccordement du câble Modbus entre l'OJ GreenZone™ Master et les OJ GreenZone™ Modules ou entre des OJ GreenZone™ Modules successifs.	Vérifiez le raccordement du câble Modbus entre l'OJ GreenZone™ Master et les OJ GreenZone™ Modules et entre les OJ GreenZone™ Modules successifs.
	OJ GreenZone™ Module défectueux	Remplacez l'OJ GreenZone™ Module.
	OJ GreenZone™ Master défectueux	Remplacez l'OJ GreenZone™ Master.
L'OJ GreenZone™ Master ne réagit pas à l'entrée d'alarme incendie « FIRE » [INCENDIE]	Mauvais raccordement électrique	Vérifier le raccordement électrique. Voir fig. 11. L'alarme est déclenchée quand l'entrée est activée.
	Pas d'alimentation pour un ou plusieurs OJ GreenZone™ Modules	Vérifiez l'alimentation des OJ GreenZone™ Modules. L'alimentation adéquate pour un OJ GreenZone™ Module est illustrée aux fig. 8 et 9 des instructions pour l'OJ GreenZone™ Module.
	Il y a un défaut de raccordement du câble Modbus entre l'OJ GreenZone™ Master et les OJ GreenZone™ Modules ou entre des OJ GreenZone™ Modules successifs.	Vérifiez le raccordement du câble Modbus entre l'OJ GreenZone™ Master et les OJ GreenZone™ Modules et entre les OJ GreenZone™ Modules successifs.
	OJ GreenZone™ Module défectueux	Remplacez l'OJ GreenZone™ Module.
	OJ GreenZone™ Master défectueux	Remplacez l'OJ GreenZone™ Master.
OJ GreenZone™ Master ne réagit pas à l'entrée « MAX »	Mauvais raccordement électrique	Vérifier le raccordement électrique. Voir fig. 11. La fonction devrait être activée quand l'entrée est activée.
	Pas d'alimentation pour un ou plusieurs OJ GreenZone™ Modules	Vérifiez l'alimentation des OJ GreenZone™ Modules. L'alimentation adéquate pour un OJ GreenZone™ Module est illustrée aux fig. 8 et 9 des instructions pour l'OJ GreenZone™ Module.
	Il y a un défaut de raccordement du câble Modbus entre l'OJ GreenZone™ Master et les OJ GreenZone™ Modules ou entre des OJ GreenZone™ Modules successifs.	Vérifiez le raccordement du câble Modbus entre l'OJ GreenZone™ Master et les OJ GreenZone™ Modules et entre les OJ GreenZone™ Modules successifs.
L'OJ GreenZone™ Master ne réagit pas à l'entrée « OPEN » [OUVERT]w	OJ GreenZone™ Module défectueux	Remplacez l'OJ GreenZone™ Module.
	OJ GreenZone™ Master défectueux	Remplacez l'OJ GreenZone™ Master.
OJ GreenZone™ Master ne réagit pas à l'entrée « MIN »	Mauvais raccordement électrique	Vérifier le raccordement électrique. Voir fig. 11. La fonction devrait être activée quand l'entrée est activée.

Symptôme	Cause	Action
	Pas d'alimentation pour un ou plusieurs OJ GreenZone™ Modules	Vérifiez l'alimentation des OJ GreenZone™ Modules. L'alimentation adéquate pour un OJ GreenZone™ Module est illustrée aux fig. 8 et 9 des instructions pour l'OJ GreenZone™ Module.
	Il y a un défaut de raccordement du câble Modbus entre l'OJ GreenZone™ Master et les OJ GreenZone™ Modules ou entre des OJ GreenZone™ Modules successifs.	Vérifiez le raccordement du câble Modbus entre l'OJ GreenZone™ Master et les OJ GreenZone™ Modules et entre les OJ GreenZone™ Modules successifs.
	OJ GreenZone™ Module défectueux	Remplacez l'OJ GreenZone™ Module.
	OJ GreenZone™ Master défectueux	Remplacez l'OJ GreenZone™ Master.
La sonde affiche une valeur incorrecte	Mauvais raccordement électrique	Vérifier le raccordement électrique. Voir fig. 12.  Notez que la borne 15 n'a pas de fonction et doit demeurer inutilisée.
	Mauvais type de sonde	Vérifiez que la sonde est du type PT1000.
	La sonde n'est pas en bonne position	Vérifiez la position de la sonde.
	Sonde défectueuse	Vérifiez la résistance de la sonde raccordée avec un instrument adéquat. La sonde doit avoir une résistance approximative de 1078 Ω à 20 °C. Remplacer la sonde.
Le ventilateur d'entrée n'est pas contrôlable ou inopérant	Défaut du raccordement électrique de la sortie analogique 1 (Aou1)	Vérifier le raccordement électrique. Voir fig. 5.
	Déconnectez ou désactivez l'alimentation du ventilateur d'entrée ou du convertisseur de fréquence	Vérifiez la source d'alimentation du ventilateur et du convertisseur de fréquence.
	OJ GreenZone™ Master défectueux	Remplacez l'OJ GreenZone™ Master.
Le ventilateur de sortie n'est pas contrôlable ou inopérant	Défaut du raccordement électrique de la sortie analogique 2 (Aou2)	Vérifier le raccordement électrique. Voir fig. 5.
	Déconnectez ou désactivez l'alimentation du ventilateur de sortie ou du convertisseur de fréquence	Vérifiez la source d'alimentation du ventilateur et du convertisseur de fréquence.
	OJ GreenZone™ Master défectueux	Remplacez l'OJ GreenZone™ Master.
La pompe de circulation de l'eau de refroidissement n'est pas contrôlable ou inopérante	Défaut du raccordement électrique de la sortie analogique 3 (Aou3)	Vérifier le raccordement électrique. Voir fig. 5.
	Déconnectez ou désactivez l'alimentation de la pompe de circulation ou du convertisseur de fréquence	Vérifiez la source d'alimentation de la pompe et du convertisseur de fréquence.
	OJ GreenZone™ Master défectueux	Remplacez l'OJ GreenZone™ Master.
Le signal d'activation pour le refroidissement (Dou1) est inopérant	Défaut du raccordement électrique de la sortie numérique 1 (Dou1)	Vérifier le raccordement électrique. Voir fig. 6.

Symptôme	Cause	Action
	Déconnectez ou désactivez l'alimentation du système de refroidissement	Vérifiez la source d'alimentation du système de refroidissement.
	Il n'y a pas de demande de refroidissement	Simulez une demande de refroidissement en abaissant le point de consigne de la température.
	OJ GreenZone™ Master défectueux	Remplacez l'OJ GreenZone™ Master.
Le signal d'activation pour le chauffage (Dou2) est inopérant	Défaut du raccordement électrique de la sortie numérique 2 (Dou2)	Vérifier le raccordement électrique. Voir fig. 6.
	Déconnectez ou désactivez l'alimentation du système de chauffage	Vérifiez la source d'alimentation du système de chauffage.
	Il n'y a pas de demande de chauffage	Simulez une demande de chauffage en augmentant le point de consigne de la température.
	OJ GreenZone™ Master défectueux	Remplacez l'OJ GreenZone™ Master.
Signal de démarrage (Dou3) pour l'unité principal est inopérant	Défaut du raccordement électrique de la sortie numérique 3 (Dou3)	Vérifier le raccordement électrique. Voir Figure 7.
	Déconnectez ou désactivez l'unité principale	Vérifiez la source d'alimentation de l'unité principale (AHU).
	Pas de signal d'opération des zones	Activez l'opération d'au moins une zone.
	OJ GreenZone™ Master défectueux	Remplacez l'OJ GreenZone™ Master.
Alarmes-A (Dou4) non activée malgré la présence d'alarmes-A dans le système	Défaut du raccordement électrique de la sortie numérique 4 (Dou4)	Vérifier le raccordement électrique. Voir Figure 7.
	OJ GreenZone™ Master défectueux	Remplacez l'OJ GreenZone™ Master.
Alarmes-B (Dou5) non activée malgré la présence d'alarmes-B dans le système	Défaut du raccordement électrique de la sortie numérique 5 (Dou5)	Vérifier le raccordement électrique. Voir Figure 7.
	OJ GreenZone™ Master défectueux	Remplacez l'OJ GreenZone™ Master.





Svenska



## FIGURÖVERSIKT

Följande figurer finns längst bak i instruktionen:

- Fig. 1: OJ GreenZone™ Master
- Fig. 2: Måtttrötning, front
- Fig. 3: Måtttrötning, sida
- Fig. 4: Översikt över anslutningar till OJ GreenZone™ Master
- Fig. 5: Analog utgångar, 0 – 10 V DC
- Fig. 6: Digitala utgångar (Dou1 och Dou2)
- Fig. 7: Digitala utgångar (Dou3, Dou4 och Dou5)
- Fig. 8: Kontaktdon RJ12 Modbus; Modbus Out 1, Modbus Out 2 och Cascade In
- Fig. 9: Överkoppling med Modbus-kabel
- Fig. 10: Anslutning av strömförsörjning
- Fig. 11: Digitala ingångar (Din1 – Din6)
- Fig. 12: Anslutning av PT1000-givare
- Fig. 13: SD-kortläsare
- Fig. 14: TCP/IP BMS, Modbus AHU, Cascade Out
- Fig. 15: Modbus Out1, Modbus Out2, Cascade In
- Fig. 16: Elektrisk Modbus kaskad-konfigurering
- Fig. 17: Översikt, kontaktpacering
- Fig. 18: Anslutning av OJ GreenZone™ Moduler
- Fig. 19: Konfigureringsöversikt
- Fig. 20: Kommunikationskonfigurering
- Fig. 21: KNX-konfigurering
- Fig. 22: Elektrisk anslutning när AHU aktiverar zonerna
- Fig. 23: Elektrisk anslutning när zonerna startar AHU
- Fig. 24: Kontaktdon RJ12 Modbus; Modbus AHU och Cascade Out
- Fig. 25: Anslutning av Modbus till OJ Air2 Master
- Fig. 26: Anslutning av Modbus till 3:e parts AHU
- Fig. 27: Konfiguration - Behovsstyrd ventilation
- Fig. 28: Konfiguration - Gemensam Utsugning
- Fig. 29: Konfiguration - Gren VAV
- Fig. 30: Konfiguration - Tryck skydd

Fig. 31: Konfiguration - Slav i stort rum

Fig. 32: Konfiguration - Så ställer du in adressen?

## ALLMÄNT

OJ GreenZone™ Master är en elektronisk styrning som kan styra ett antal VAV-zoner (max 25) i ett ventilationssystem. OJ GreenZone™ Master innehåller alla funktioner som krävs för att hantera upp till 25 zoner med hjälp av OJ GreenZone™ Module. Du kan koppla samman upp till 5 OJ GreenZone™ Master i ett fullt utbyggt system. Ett fullt utbyggt OJ GreenZone™-system kan alltså styra upp till 125 zoner.

## BESKRIVNING

OJ GreenZone™ Master är den "intelligenta" komponenten i ett OJ GreenZone™-system, där OJ GreenZone™ Moduler styr de enskilda zonerna/rummen. Du konfigurerar OJ GreenZone™ Master och de anslutna OJ GreenZone™ Modulerna med hjälp av den inbyggda webbservern. OJ GreenZone™ Master innehåller en avancerad optimeringsfunktion för styrning av fläkthastighet och för styrning av pumpar för varmt och/eller kallt vatten. Med OJ GreenZone™ Master kan du komma åt reglerings- och konfigureringsparametrarna antingen från den inbyggda webbservern eller genom att ansluta till och styra OJ GreenZone™-systemet från ett Building Management System (BMS). BMS-systemets kommunikationsprotokoll är Modbus eller BACnet. Du kan ansluta KNX-komponenter i zonerna med hjälp av KNX/Ethernet-omvandlare. Kommunikationen mellan OJ GreenZone™ Master och OJ GreenZone™ Modulerna i de anslutna zonerna är standard Modbus RS485. Genom att kombinera maximalt 5 OJ GreenZone™ Master i ett system, där varje Master kan styra upp till 25 OJ GreenZone™ Moduler, kan du styra och kontrollera 125 individuella zoner/rum. Den dagliga hanteringen sköter du via den inbyggda webbservern, via ett anslutet BMS-system eller från en SmartPhone. Se fig. 20.

**PRODUKTPROGRAM****Produkter från OJ Electronics**

Typ	Produkt
OJ-ZoneMaster	Mastermodul för styrning av upp till 25 OJ GreenZone™ Module M
OJ-ZoneModule-M	Zonmodulen för kontroll av en zon med Direct Modbus-givare
OJ-ZoneModule-A	Zonmodulen för kontroll av en zon med 0-10 V givare
OJ-ZoneModule-MP	Zonmodulen för kontroll för en zon med MP Bus-givare
OJ-Air2PWR80	Strömförsörjning, 2 x 24 VAC, 2 x 60 VA
ETT-KH	Kapsling för OJ GreenZone™ Module M, väggmontering
PTH-6202	Trycksändare med Modbus
ETF-1798	PT1000 utomhustemperatursensor (°C)
ETF-598B-5	PT1000 utomhustemperatursensor (°C)
OJ-Air2Split	Modbusfördelare, 4 RJ12-kontakter + 8 plintar 1,5 mm <sup>2</sup>

**Produkter från övriga leverantörer**

Typ	Produkt
Telekabel, typ: TD6006 Black	Telekabel, 6 ledare, fabrikat INEC
TE Connectivity telekontakt RJ12	Modulär telekontakt 6/6, RJ12, standardkontakt

**KNX-produkter**

Typ	Produkt
Weinzierl, BAOS 772, KNX/IP	KNX TCP/IP gateway
Arcus -EDS, SK03-TFK	KNX-givare, rumstemperatur, relativ fuktighet
Arcus -EDS, AE-S8-CO2-TF	KNX-givare, rumstemperatur, relativ fuktighet, CO2
Arcus -EDS, SK03R-T	KNX-givare, rumstemperatur, +/- °C förskjutning
Arcus -EDS, SK01-T-KTF1	KNX-givare, temperatur (kanalmontering)
Züblin Elektro, Swiss Garde 360 KNX	KNX-givare, PIR rörelsevakt
Elsner Elektronik, KNX VOC-UP basic	KNX-givare, VOC-givare (väggmontering)
MDT technologies, KNX Binary Input	KNX ingångsmodul för fönster- och frostsinal
GIRA, 2104	KNX-givare, rumstemperatur, relativ fuktighet, CO2

**INSTALLATION**

OJ GreenZone™ Master installeras på en standard 35 mm DIN-skena och i en metallkapsling som motsvarar installationsplatsens klassificering. Se måttuppgifterna i fig. 2 och 3. Den mekaniska konfigurationen framgår av fig. 19.

OJ GreenZone™ Master ska strömförsörjas med 24 V AC, +/-15 % och är därför försedd med skruvplintar för max. 1,5 mm<sup>2</sup> för detta syfte. Övriga anslutningar är en kombination av RJ12-kontakter och skruvplintar för max. 1,5 mm<sup>2</sup> kabelanslutning.

**Elanslutning** (se översikt i fig. 1)

I fig. 4 är alla anslutningar märkta med en bokstav (A – P).

Se den följande beskrivningen av elanslutningen för varje enskild komponent, in- och utgångar samt övriga signaler på OJ GreenZone™ Master.

**Anslutning av analoga utgångar, märkta "A"**, se fig. 4 och 5

OJ GreenZone™ Master har 3 analoga utgångar 0 – 10 V DC, se fig. 4 och 5.

Analog utgång 1 är märkt "Aou1" (plint 17). Den kan du använda för att styra varvtalet på ventilationsanläggningens (huvudanläggningens) inblåsningsfläkt.

Analog utgång 2 är märkt "Aou2" (plint 18). Den kan du använda för att styra varvtalet på ventilationsanläggningens (huvudanläggningens) utsugningsfläkt.

Analog utgång 3 är märkt "Aou3" (plint 19). Den kan du använda för att styra varvtalet i kylsystemets cirkulationspump.

Den gemensamma godsanslutningen (GND) är märkt ⤵ (plint 16).


För att hela tiden kunna styra fläktarna så energioptimalt som möjligt har OJ GreenZone™ Module en inbyggd funktion som hela tiden optimerar spjällens läge. Optimeringen innebär att trycket i kanalen alltid är det lägsta möjliga, att det är rätt luftflöde i zonerna och att ingen VAV-zoner är mer än 80 % öppna.


Om det behövs kylning i minst en zon kommer huvudanläggningens inblåsnings-temperatur att beräknas enligt det inställda lägsta börvärdet i OJ GreenZone™ Master. Om det inte finns något kylbehov i zonerna kommer huvudanläggningens inblåsnings-temperatur att beräknas enligt det lägsta beräknade börvärdet i de anslutna zonerna.

Varvtalet i kylvattnets cirkulationspump regleras så att man upprätthåller ett tillräckligt tryck för att zonernas kylventiler ska vara minst 80 % öppna. Därmed regleras trycket i kylsystemet och också kylpumpens energiförbrukning.

**Anslutning av digitala utgångar märkta "B" och "C" – aktiveringssignal, värme/kyla**, se fig. 4 och 6

OJ GreenZone™ Master har 2 potentialfria digitala utgångar som aktiveras när zonen står i värme- respektive kyläge. Maximal spänning på "Dou1" och "Dou2" är 230 V, maximal belastning är 5 A.

Utgången  (plintarna 20 – 21) kan du använda för att starta kylsystemets cirkulationspump, se fig. 6.

Utgången  (plintarna 22 – 23) kan du använda för att starta värmesystemets cirkulationspump, se fig. 6.

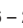
### Anslutning av digitala utgångar märkta "D", "E" och "F"

– driftsignal och larmreläer, se fig. 4 och 7

OJ GreenZone™ Master har 3 potentialfria utgångar som aktiveras under följande förutsättningar:

Maximal spänning på "Dou3", Dou4" och "Dou5" är 30 V, maximal belastning är 5 A.

Utgången "START" (plintarna 24 – 25) aktiveras när minst en zon är i drift, se fig. 7.

Utgången "A"  (plintarna 26 – 27) aktiveras när det finns ett A-larm i systemet, se fig. 7.


Utgången "B"  (plintarna 28 – 29) aktiveras när det finns ett B-larm i systemet, se fig. 7.


### Strömförsörjningen, märkt "G", se fig. 4 och 10

OJ GreenZone™ Master ska strömförsörjas med 24 V AC på plintarna 1 och 2, se fig. 4 och 10.

### Anslutning av digitala ingångar märkta "H", "J" och "K", se fig. 4 och 11

OJ GreenZone™ Master har 6 digitala ingångar.

- Digital ingång 1 ("Din1"), plintarna 3 och 4, är märkt med denna symbol: . Du använder den för larmsignal från inblåsningstätten. Larmet kan komma från ett överlastrelä, en termisk överhettningssäkring inbyggd i fläkten eller motsvarande. Larmet aktiveras när ingången kortslogs.

- Digital ingång 2 ("Din2"), plintarna 4 och 5, är märkt med denna symbol: . Du använder den för larmsignal från utsugningsfläkten. Larmet kan komma från ett överlastrelä, en termisk överhettningssäkring inbyggd i fläkten eller motsvarande. Larmet aktiveras när ingången kortslogs.

- Digital ingång 3 ("Din3"), plintarna 6 och 7, är märkt "START". Du använder den för att växla status för alla anslutna zoner.

När ingången ("Din3") är öppen är alla zoner i viloläge. Det betyder att alla VAV-spjäll är stängda och att zonerna är tvångsstoppade. Du kan använda ingången om det är huvudanläggningen som ska aktivera driften av zonerna. Elanslutning, se fig. 22.

Om huvudanläggningen ska startas av den första aktiva zonen, t.ex. genom detektering av en PIR-givare, ska ingången ("Din3") vara öppen. Elanslutning, se fig. 23.

- Digital ingång 4 ("Din4"), plintarna 7 och 8, är märkt "FIRE" ["BRAND"]. Du använder den för att stoppa huvudanläggningen vid brandfara. Larmet kan komma från en central brandlarmsanläggning, en brandtermostat, en mekanisk rökvarnare eller motsvarande. Larmet aktiveras när ingången bryts. Anläggningens driftläge vid brand ska ställas in av installatören från webbgränssnittet. Det kan ställas in för maximalt luftflöde och fullt öppna VAV-spjäll eller inget luftflöde, helt stängda VAV-spjäll och stoppad huvudanläggning. Se ytterligare information i installationsanvisningen.
- Digital ingång 5 ("Din5"), terminal 9 och 10, är markerad med den här symbolen "MAX" och används för att tvinga alla anslutna VAV-zondämpare för att öppna till max. luftvolym när ingången aktiveras (se installationsanvisningarna för ytterligare information).
- Digital ingång 6 ("Din6"), terminal 10 och 11, är märkta med den här symbolen "MIN" och används för att tvinga alla anslutna VAV-zondämpare att stängas till min. luftvolym när ingången är aktiverad (se installationsanvisningarna för ytterligare information).

### Anslutning av givaringångar märkt "L", se fig. 4 och 12

OJ GreenZone™ Master är utrustad med två PT1000 sensoringångar för anslutning av en temperatursensor i kylkretsen/buffertbehållare för värmepump och en utomhustemperatursensor. Sensorerna är standard på PT1000-sensorerna, t.ex. typ ETF-x98 från OJ Electronics.

Temperaturgivaren som mäter vattentemperaturen ansluter du till plintarna 12 och 13. Givaren kan antingen vara av en typ som mäter yttemperaturen på kylvattenledningen eller som är avsedd att monteras i sänkrör. Temperaturgivaren som mäter utetemperaturen ansluter du till plintarna 13 och 14.

*OBS! Observera att plint 15 inte har någon funktion!*

### Anslutning av BMS-kontakten för TCP/IP, märkt "N",

se fig. 4, 14 och 17.

OJ GreenZone™ Master har en standard RJ45-kontakt (se fig. 17) för anslutning till ett TCP/IP-nätverk eller direkt till ett BMS-system, se fig. 14 samt avsnittet "Kommunikationsprotokoll" i denna användarhandbok.

Kontakten TCP/IP BMS använder du också för åtkomst till den inbyggda webbservern.

**Anslutning av Modbus AHU-kontakt märkt "N",** se fig. 4, 14 och 17

OJ GreenZone™ Master har en standard RJ12-kontakt (se kontaktbeläggningen i fig. 24) för anslutning till en ventilationsanläggning, se fig. 17. Kommunikationsprotokollet är Modbus RS485 (se fig. 14, 25 och 26 samt installationsanvisningen för denna produkt).

**Anslutning av kontakt CASCADE OUT [KASKAD UT] märkt "N",**

se fig. 4, 14 och 17

OJ GreenZone™ Master har en standard RJ12-kontakt (se kontaktbeläggningen i fig. 24) för anslutning av upp till 5 OJ GreenZone™ Master-enheter i ett fullt utbyggt OJ GreenZone™-system. Du kaskadkopplar OJ GreenZone™ Master enligt fig. 16. Den första OJ GreenZone™ Master är systemets MASTER 1. Det är den OJ GreenZone™ Master där kontakten "Cascade Out" inte används.

**Anslutning av kontakten CASCADE IN [KASKAD IN] märkt "P",**

se fig. 4, 14, 15 och 16

Se ovanstående punkt "CASCADE OUT" och kontaktbeläggningen i fig. 8.

**Anslutning av kontakterna Modbus Out1 och Modbus Out2, märkta "P",** se fig. 4, 15 och 17

OJ GreenZone™ Master har 2 standard RJ12-kontakter (se kontaktbeläggningen i fig. 8) för anslutning och sammankoppling av OJ GreenZone™ Moduler i ett utbyggt OJ GreenZone™-system. Du kan ansluta upp till 25 OJ GreenZone™ Moduler till en OJ GreenZone™ Master. Se fig. 18. OJ GreenZone™ Modulerna ansluts i serie ("Daisy Chain"). Antalet OJ GreenZone™ Moduler i var och en av kontakterna "Modbus Out1" och "Modbus Out2" är valfritt, så länge det maximala antalet 25 OJ GreenZone™ Moduler inte överskrids.

Om du behöver flera OJ GreenZone™ Moduler i samma system ska du installera en OJ GreenZone™ Master per påbörjat 25-tal OJ GreenZone™ Moduler. Se fig. 16.

**Skyddet mot över-/undertryck i ledningarna**

Trycket i ledningssystemet kan begränsas/regleras genom att installera en PTH-3202 tryckgivare i både utsläppsledning och inloppsledning; se fig. 30 och 31. Tryckgivaren P1 är installerad i utsläppsledningen med en ansluten slang - ändstycke (mäter undertryck). + ändstycket får inte anslutas. Tryckgivaren P2 installeras i inloppsledningen med en ansluten slang + ändstycket (mäter övertryck). - ändstycket får inte anslutas.

**Konstant tryck i ledning (Zonmodul A)**

Om zonsystemet installeras med Zonemodul A ska ledningstrycket alltid regleras med konstant tryck. Antingen genom ventilationssystemet eller genom att koppla in tryckgivaren P1 och P2 till Zone Master enligt beskrivningen här.

**Inbyggd SD-kortläsare märkt "M"**

OJ GreenZone™ Master har en inbyggd SD-kortläsare. Den stöder normen SDHC för maximalt 8 GB. Se fig. 4 och 13.

Du använder kortläsaren för uppdatering av programvaran i OJ GreenZone™ Master samt för dataloggning.

Dataloggfiler kan du skicka till OJ Electronics A/S för diagnosticering efter avtal med en kundstödsmedarbetare hos OJ Electronics A/S. Du kontaktar kundstödsavdelningen på support@oj.dk

*OBS! Du sätter in SD-kortet i kortläsaren med kontaktytorna framåt.*

**Dataskydd i OJ GreenZone™ Master**

Om det uppstår kommunikationsfel i och/eller strömavbrott till OJ GreenZone™ Master kommer alla data att lagras. När kommunikationen och/eller strömförsörjningen återställs fungerar och startar OJ GreenZone™ Master igen i normal drift.

**TEKNISKA DATA**

Strömförsörjning	. . . . .	24 V AC +/-15 % (se fig. 10)
Egenförbrukning, tomgångsförbrukning	. . . . .	≤ 5 VA
TCP/IP-anslutningar	. . . . .	1 st RJ45-kontakt (8P8C)
Modbus-anslutningsr	. . . . .	5 st RJ12-kontakter (6P6C)
Modbus-kommunikation	. . . . .	RS-485, 38,4 kBaud
Modbus-adress, OJ Zone Master	. . . . .	Fabriksinställd till 192.168.1.101
Digitala ingångar	. . . . .	6 st pull-up
Digitala utgångar	. . . . .	2 x potentialfria (max. 230 VAC 5A)
	. . . . .	3 x potentialfria (max. 30 VAC 5A)
Givaringångar	. . . . .	2 st PT1000
Upplösning, temperatur	. . . . .	0,01 °C
Spänningsutgångar	. . . . .	3 st 0 - 10 V DC
Kapslingsklass	. . . . .	IP20
Mått	. . . . .	se fig. 2 och 3
Vikt	. . . . .	430 g

### Konfigurering av OJ GreenZone™ Master

Du konfigurerar OJ GreenZone™ Master och de anslutna OJ GreenZone™ Modulerna med hjälp av den inbyggda webbservern. Webbservern beskrivs i installationsanvisningen.

Du hämtar den aktuella installationsanvisningen på [www.ojelectronics.com](http://www.ojelectronics.com).



### KOMMUNIKATIONS PROTOKOLL

#### BACnet, TCP/IP till BMS

OJ GreenZone™ Master stöder BACnet till TCP/IP-kommunikation med BMS-system. BACnet TCP/IP ansluter du i kontakten märkt TCP/IP BMS (se fig. 14).

BACnet-protokoll:

Du hämtar det aktuella BACnet-protokollet på [www.ojelectronics.com](http://www.ojelectronics.com).

#### Modbus, TCP/IP till BMS

OJ GreenZone™ Master stöder Modbus till TCP/IP-kommunikation till BMS-system.

Du ansluter Modbus TCP/IP till kontakten märkt "TCP/IP BMS", se fig. 14.

Modbusprotokoll:

Du hämtar det aktuella Modbus-protokollet på [www.ojelectronics.com](http://www.ojelectronics.com).

#### TCP/IP

OJ GreenZone™ Master använder följande parametrar i ett TCP/IP-nätverk:

IP-adress:	192.168.1.101
NetMask:	255.255.255.0
Gateway:	92.168.1.1
DNS:	192.168.1.1
Alternativ DNS:	0.0.0.0

OJ GreenZone™ Master stöder "IPconfig". IPconfig är ett datorbaserat verktyg för inställning och läsning av TCP/IP-nätverksinställningar för enheter som är anslutna till ett LAN-nätverk. IPconfig kan skanna ett LAN-nätverk för anslutna enheter och användaren kan konfigurera kommunikationsparametrar, t.ex. IP-adress, nätmask, Gateway, DNS och värddamn, för varje individuell enhet.

IPconfig gör det möjligt för OJ GreenZone™ Master IP-adressen att läsas och konfigureras.

Endast TCP-/IP-enheter som stöder IPconfig kan skannas av IPconfig.

IPconfig kan hämtas från [www.ojelectronics.com](http://www.ojelectronics.com).

### KNX routergränssnitt till Zone-komponenter

OJ Green master stöder kommunikation med "KNX IP BAOS 772" KNX-router (fabrikat Weinzierl) via ObjectServer-gränssnittet. Se fig. 20 och 21.

OJ GreenZone™ Master använder IP-adress "192.168.1.33" som standard IP-adress till KNX-routern.

Du hämtar aktuellt KNX-protokoll på [www.ojelectronics.com](http://www.ojelectronics.com).

### SERVICE OCH UNDERHÅLL

OJ GreenZone™ Master innehåller inga komponenter som behöver service eller underhåll.

Kontakta leverantören om det uppstår problem.

### MILJÖ OCH AVFALLSHANTERING

Hjälp till att skydda miljön genom att ta hand om emballage och använda produkter enligt gällande miljöföreskrifter.

### Bortskaffning av produkten



Produkter med detta märke får inte slängas som vanliga hushållssopor. De ska samlas in på särskilt sätt enligt gällande nationella och lokala miljöskydds föreskrifter.

### OJ ELECTRONICS A/S

Stenager 13B, DK-6400 Sønderborg, Danmark

Tel. +45 73 12 13 14 · Fax +45 73 12 13 13

[oj@ojelectronics.com](mailto:oj@ojelectronics.com) · [www.ojelectronics.com](http://www.ojelectronics.com)

### CE-MÄRKNING

2004/108/EG EMC-direktiv

EU-parlamentets och rådets direktiv 2004/108/EG av den 15 december 2004 gällande anpassning av medlemsstaternas lagstiftning beträffande elektromagnetisk kompatibilitet samt tillbakadragandet av direktiv 89/336/EEC.

2006/95/EG Lågspänningsdirektivet

Rådets direktiv 2006/95/EG av den 12 december 2006 gällande harmonisering av medlemsstaternas lagstiftning beträffande elektrisk utrustning avsedd att användas inom vissa spänningsgränser.


### Använda normer

SS-EN 60730-1 2000 / Automatisk elektrisk styrning för hushåll och motsvarande användning. Del 1: Allmänna krav

## FELSÖKNING

Symptom	Orsak	Åtgärd	
Inget fungerar i OJ GreenZone™ Master.	Ingen strömförsörjning.	Kontrollera att det finns spänning (24 V AC) på plintarna 1 och 2.	
	Defekt OJ GreenZone™ Master.	Byt OJ GreenZone™ Master.	
Kan inte logga in på webbservern i OJ GreenZone™ Master via direkt LAN-anslutning.	LAN-kabeln är felaktigt ansluten.	Kontrollera att LAN-kabeln är korrekt ansluten i båda ändarna.	
	Defekt LAN-kabel.	Byt LAN-kabeln.	
	Fel IP-adress.	Kontrollera den inställda IP-adressen i OJ GreenZone™ Master. IP-adressen är från fabriken förinställd på statisk IP-adress 192.168.1.101.	Kontrollera den inställda statiska IP-adressen på nätkortet i PC:n. IP-adressen i PC:n ska vara annorlunda än den ovanstående IP-adressen. Ställ in IP-adressen för PC:ns närkort på t.ex. 192.168.1.100.
		Ange den korrekta IP-adressen i webbservern. 192.168.1.101.	
		Defekt nätkort i PC:n.	Prova med en annan PC.
Defekt OJ GreenZone™ Master.	Byt OJ GreenZone™ Master.		
Huvudanläggningen startar inte, trots att det finns driftsignal från minst en zon – huvudanläggningen är ansluten via Modbus.	Modbus-kabeln är felaktigt ansluten.	Kontrollera att Modbus-kabeln är korrekt ansluten i båda ändarna.	
	Defekt Modbuskabel.	Byt Modbus-kabeln.	
	Felaktig konfigurerings av Modbus-kommunikationen.	Kontrollera konfigurerings av Modbus-kommunikationen och Modbus-adresserna – se installationsanvisningen.	
Kan inte logga in på webbservern i OJ GreenZone™ Master via Router/DHCP LAN-anslutning.	IP-adressen i OJ GreenZone™ Master är inställd på "Statisk".	Konfigurera IP-adressen till "DHCP" genom den inbyggda webbservern eller genom att använda IPconfig-verktyget.	
	LAN-kabeln är felaktigt ansluten.	Kontrollera alla LAN-anslutningarna i routern, PC:n och på OJ GreenZone™ Master.	
	IP-adressen i PC:ns nätkort är inställd på "Statisk".	Ställ in IP-adressen på "Hämta IP-adressen automatiskt".	
	Felaktig IP-adress i adressrad.	Ange den korrekta IP-adressen i webbservern. 192.168.1.101.	
	Defekt nätkort i PN:n	Prova med en annan PC.	
	Defekt OJ GreenZone™ Master.	Byt OJ GreenZone™ Master.	
Kan inte logga in på webbservern i OJ GreenZone™ Master via SmartPhone.	WiFi-routern är avstängd.	Slå på WiFi-routern.	
	SmartPhone ansluter inte till WiFi-nätverket.	Starta en sökning efter tillgängliga nätverk i din SmartPhone. Anslut din SmartPhone till samma nätverk som OJ GreenZone™ Mastern är ansluten till.	
	Felaktig IP-adress i adressrad.	Starta en webbläsare i din SmartPhone och ange den korrekta IP-adressen i webbläsaren. IP-adressen för OJ GreenZone™ Master läses upp genom användning av IPconfig-verktyget.	
En eller flera OJ GreenZone™ Moduler saknas i webbservern.	Bristande strömförsörjning till en eller flera OJ GreenZone™ Moduler.	Kontrollera strömförsörjningen till alla OJ GreenZone™ Moduler. Se anslutningen av strömförsörjningen till OJ GreenZone™ Moduler i användarhandboken för OJ GreenZone™ Module i fig. 8 och 9.	

Symptom	Orsak	Åtgärd
	Fel i Modbus-kabelanslutningen mellan OJ GreenZone™ Master och OJ GreenZone™ Moduler eller mellan OJ GreenZone™ Moduler.	Kontrollera Modbus-kabelanslutningen mellan OJ GreenZone™ Master och OJ GreenZone™ moduler samt mellan OJ GreenZone™ Moduler.
	Defekt OJ GreenZone™ Module.	Byt OJ GreenZone™ Module.
	Defekt OJ GreenZone™ Master.	Byt OJ GreenZone™ Master.
Det kommer inget larm när digital ingång 1 aktiveras. <i>Funktion: Ingången känner av larm från inblåsningstätten.</i>	Fel i elanslutningen.	Kontrollera elanslutningen. Se fig. 11. Larmet aktiveras när ingången kortsluts (On [Till])
Det kommer inget larm när digital ingång 2 aktiveras. <i>Funktion: Ingången känner av larm från utsugningstätten.</i>	Fel i elanslutningen.	Kontrollera elanslutningen. Se fig. 11. Larmet aktiveras när ingången kortsluts (On [Till])
Zonerna står kvar i viloläget när digital ingång 3 kortsluts.	Fel i elanslutningen.	Kontrollera elanslutningen. Se fig. 11. Larmet aktiveras när ingången kortsluts (On [Till])
	Bristande strömförsörjning till en eller flera OJ GreenZone™ Moduler.	Kontrollera strömförsörjningen till alla OJ GreenZone™ Moduler. Se anslutningen av strömförsörjningen till OJ GreenZone™ Moduler i användarhandboken för OJ GreenZone™ Module i fig. 8 och 9.
	Fel i Modbus-kabelanslutningen mellan OJ GreenZone™ Master och OJ GreenZone™ Moduler eller mellan OJ GreenZone™ Moduler.	Kontrollera Modbus-kabelanslutningen mellan OJ GreenZone™ Master och OJ GreenZone™ moduler samt mellan OJ GreenZone™ Moduler.
	Defekt OJ GreenZone™ Module.	Byt OJ GreenZone™ Module.
	Defekt OJ GreenZone™ Master.	Byt OJ GreenZone™ Master.
OJ GreenZone™ Master reagerar inte på brandlarmingången "FIRE" ["BRAND"].	Fel i elanslutningen.	Kontrollera elanslutningen. Se fig. 11. Larmet aktiveras när ingången kortsluts (On [Till])
	Bristande strömförsörjning till en eller flera OJ GreenZone™ Moduler.	Kontrollera strömförsörjningen till alla OJ GreenZone™ Moduler. Se anslutningen av strömförsörjningen till OJ GreenZone™ Module i användarhandboken för OJ GreenZone™ Module fig. 8 och 9.
	Fel i Modbus-kabelanslutningen mellan OJ GreenZone™ Master och OJ GreenZone™ Moduler eller mellan OJ GreenZone™ Moduler.	Kontrollera Modbus-kabelanslutningen mellan OJ GreenZone™ Master och OJ GreenZone™ moduler samt mellan OJ GreenZone™ Moduler.
	Defekt OJ GreenZone™ Module.	Byt OJ GreenZone™ Module.
	Defekt OJ GreenZone™ Master.	Byt OJ GreenZone™ Master.

Symptom	Orsak	Åtgärd
OJ GreenZone™ Master reagerar inte på inmatningen "MAX"	Fel i elanslutningen.	Kontrollera elanslutningen. Se fig. 11. Funktionen aktiveras när ingången kortsluts (On [Till]).
	Bristande strömförsörjning till en eller flera OJ GreenZone™ Moduler.	Kontrollera strömförsörjningen till alla OJ GreenZone™ Moduler. Se anslutningen av strömförsörjningen till OJ GreenZone™ Module i användarhandboken för OJ GreenZone™ Module fig. 8 och 9.
	Fel i Modbus-kabelanslutningen mellan OJ GreenZone™ Master och OJ GreenZone™ Moduler eller mellan OJ GreenZone™ Moduler.	Kontrollera Modbus-kabelanslutningen mellan OJ GreenZone™ Master och OJ GreenZone™ moduler samt mellan OJ GreenZone™ Moduler.
	Defekt OJ GreenZone™ Module.	Byt OJ GreenZone™ Module.
	Defekt OJ GreenZone™ Master.	Byt OJ GreenZone™ Master.
OJ GreenZone™ Master reagerar inte på inmatningen "MIN"	Fel i elanslutningen.	Kontrollera elanslutningen. Se fig. 11. Funktionen aktiveras när ingången kortsluts (On [Till]).
	Bristande strömförsörjning till en eller flera OJ GreenZone™ Moduler.	Kontrollera strömförsörjningen till alla OJ GreenZone™ Moduler. Se anslutningen av strömförsörjningen till OJ GreenZone™ Module i användarhandboken för OJ GreenZone™ Module fig. 8 och 9.
	Fel i Modbus-kabelanslutningen mellan OJ GreenZone™ Master och OJ GreenZone™ Moduler eller mellan OJ GreenZone™ Moduler.	Kontrollera Modbus-kabelanslutningen mellan OJ GreenZone™ Master och OJ GreenZone™ moduler samt mellan OJ GreenZone™ Moduler.
	Defekt OJ GreenZone™ Module.	Byt OJ GreenZone™ Module.
	Defekt OJ GreenZone™ Master.	Byt OJ GreenZone™ Master.
Givare visar fel värde.	Fel i elanslutningen.	Kontrollera elanslutningen. Se fig. 12.  Observera att plint 15 inte används. Den ska därför inte ha någon anslutning.
	Fel givartyp.	Kontrollera att givaren är av typen PT1000.
	Givaren är inte korrekt placerad.	Kontrollera givarens placering.
	Defekt givare.	Gör en kontrollmätning av den anslutna givaren. Givaren ska ha en resistans på ca 1 078 Ω vid 20 °C. Byt givaren.
Inblåsningssäcken regleras inte eller fungerar inte.	Fel i elanslutningen från analog utgång 1 (Aou1).	Kontrollera elanslutningen. Se fig. 5.
Inblåsningssäcken regleras inte eller fungerar inte.	Avbrott i eller avstängd strömförsörjning till inblåsningssäcken eller frekvensomvandlaren.	Kontrollera strömförsörjningen till säcken och frekvensomvandlaren.
	Defekt OJ GreenZone™ Master.	Byt OJ GreenZone™ Master.



Symptom	Orsak	Åtgärd
Utsugningsfläkten reglerar inte eller fungerar inte.	Fel i elanslutningen från analog utgång 2 (Aou2).	Kontrollera elanslutningen. Se fig. 5.
	Avbrott i eller avstängd strömförsörjning till utsugningsfläkten eller frekvensomvandlaren.	Kontrollera strömförsörjningen till fläkten och frekvensomvandlaren.
	Defekt OJ GreenZone™ Master.	Byt OJ GreenZone™ Master.
Kylvattnets cirkulationspump reglerar inte eller fungerar inte.	Fel i elanslutningen från analog utgång 3 (Aou3).	Kontrollera elanslutningen. Se fig. 5.
	Avbrott i eller avstängd strömförsörjning till cirkulationspumpen eller frekvensomvandlaren.	Kontrollera strömförsörjningen till pumpen och frekvensomvandlaren.
	Defekt OJ GreenZone™ Master.	Byt OJ GreenZone™ Master.
Aktiveringssignalen till kylningen (Dou1) fungerar inte.	Fel i elanslutningen från digital utgång 1 (Dou1).	Kontrollera elanslutningen. Se fig. 6.
	Avbrott i eller avstängd strömförsörjning till kylsystemet.	Kontrollera strömförsörjningen till kylsystemet.
	Det finns inget kylbehov	Framkalla ett kylbehov genom att sänka temperaturens börvärde.
	Defekt OJ GreenZone™ Master.	Byt OJ GreenZone™ Master.
Aktiveringssignalen till värmesystemet (Dou2) fungerar inte.	Fel i elanslutningen från digital utgång 2 (Dou2).	Kontrollera elanslutningen. Se fig. 6.
	Avbrott i eller avstängd strömförsörjning till värmesystemet.	Kontrollera strömförsörjningen till värmesystemet.
	Det finns inget värmebehov.	Framkalla ett värmebehov genom att öka temperaturens börvärde.
	Defekt OJ GreenZone™ Master.	Byt OJ GreenZone™ Master.
Startsignalen (DOU3) som ska starta huvudanläggningen fungerar inte.	Fel i elanslutningen från digital utgång 3 (Dou3).	Kontrollera elanslutningen. Se fig. 7.
	Avbrott i eller avstängd huvudanläggning.	Kontrollera strömförsörjningen till huvudanläggningen (AHU).
	Driftsignal från zonerna saknas.	Aktivera minst en zon till drift.
	Defekt OJ GreenZone™ Master.	Byt OJ GreenZone™ Master.
A-larm (Dou4) aktiveras inte trots att det finns A-larm i systemet.	Fel i elanslutningen från digital utgång 4 (Dou4).	Kontrollera elanslutningen. Se fig. 7.
	Defekt OJ GreenZone™ Master.	Byt OJ GreenZone™ Master.

Symptom	Orsak	Åtgärd
B-larm (Dou5) aktiveras inte trots att det finns B-larm i systemet.	Fel i elanslutningen från digital utgång 5 (Dou5).	Kontrollera elanslutningen. Se fig. 7.
	Defekt OJ GreenZone™ Master.	Byt OJ GreenZone™ Master.



Norsk



## FIGUROVERSIKT

Følgende figurer finnes bakerst i veiledningen:

- Fig. 1: OJ GreenZone™ Master
- Fig. 2: Målskjema, front
- Fig. 3: Målskjema, side
- Fig. 4: Oversikt over tilkoblinger i OJ GreenZone™ Master
- Fig. 5: Analoge utganger, 0-10 V DC
- Fig. 6: Digitale utganger (Dou1 og Dou2)
- Fig. 7: Digitale utganger (Dou3, Dou4 og Dou5)
- Fig. 8: RJ12 Modbuss-kontakt; Modbuss Out 1, Modbuss Out 2 og Cascade In
- Fig. 9: Tilkobling Modbusskabel
- Fig. 10: Tilkobling av spenningsforsyning
- Fig. 11: Digitale innganger (Din1...Din6)
- Fig. 12: Tilkobling av PT1000-følere
- Fig. 13: SD-kortleser
- Fig. 14: TCP/IP BMS, Modbuss AHU, Cascade Out
- Fig. 15: Modbuss Out1, Modbuss Out2, Cascade In
- Fig. 16: Elektrisk Modbuss-kaskadekonfigurering
- Fig. 17: Oversikt, innganger
- Fig. 18: Tilkobling av OJ GreenZone™ Module
- Fig. 19: Konfigureringsoversikt
- Fig. 20: Kommunikasjonskonfigurasjon
- Fig. 21: KNX-konfigurasjon
- Fig. 22: Elektrisk kontakt når AHU frigir sonene
- Fig. 23: Elektrisk kontakt når sonene starter AHU
- Fig. 24: RJ12 Modbuss-kontakt; Modbuss AHU og Cascade Out
- Fig. 25: Modbuss-tilkobling til OJ-Air2 Master
- Fig. 26: Modbuss-tilkobling til 3. parts-AHU
- Fig. 27: Konfigurasjon - Benhavsstyrt ventilasjon
- Fig. 28: Konfigurasjon - Felles avtrekk
- Fig. 29: Konfigurasjon - Gren VAV
- Fig. 30: Konfigurasjon - Trykk beskyttelse

Fig. 31: Konfigurasjon – slave i stort rom

Fig. 32: Konfigurasjon - Hvordan sette adresser?

## GENERELT

OJ GreenZone™ Master er en elektronisk styring (controller) som kan styre flere VAV-soner (maks. 25) i et ventilasjonssystem. OJ GreenZone™ Master inneholder alle de funksjonene som kreves for å håndtere opptil 25 soner vha. OJ GreenZone™ Module. Man kan sammenkoble opptil 5 OJ GreenZone™ Master i et fullt utbygd system. Et fullt utbygd OJ GreenZone™-system kan altså kontrollere opptil 125 soner.

## BESKRIVELSE

OJ GreenZone™ Master er den "intelligente" komponenten i et OJ GreenZone™-system, der OJ GreenZone™ Module styrer de enkelte sonene/rommene. OJ GreenZone™ Master og tilkoblede Green Zone Module konfigureres vha. den innbygde webserveren.

OJ GreenZone™ Master inneholder en avansert optimeringsfunksjon for å styre viftehastighet og for å styre pumpen til varmt og/eller kaldt vann. Med OJ GreenZone™ Master er det mulig å endre regulerings- og komfortparametre enten fra den innbygde webserveren eller ved å tilkoble og betjene OJ GreenZone™-systemet fra et Building Management System (BMS). Kommunikasjonsprotokollen til BMS-systemet er Modbuss eller BACnet. KNX-komponenter i sonene kan tilkobles vha. KNX/Ethernett konverter. Kommunikasjonen mellom OJ GreenZone™ Master og OJ GreenZone™ Module i de tilknyttede sonene er standard Modbuss RS485. Ved å kombinere maks. 5 OJ GreenZone™ Master i et system, hvor hver Master kan styre opptil 25 OJ GreenZone™ Module, er det mulig å styre og kontrollere 125 individuelle soner/rom. Den daglige betjeningen kan foretas fra den innbygde webserveren, via et tilkoblede BMS-system eller fra en smarttelefon. Se fig. 20.

**PRODUKTPROGRAM****Produkter fra OJ Electronics**

Type	Produkt
OJ-ZoneMaster	Mastermodul for styring av maks. 25 stk. OJ GreenZone™ Module M
OJ-ZoneModule-M	Sonemodul for styring av én sone med direkte Modbus-aktuatorer
OJ-ZoneModule-A	Sonemodul for styring av én sone med 0–10 V-aktuatorer
OJ-ZoneModule-MP	Sonemodul for styring av én sone med MP-bussaktuatorer
OJ-Air2PWR80	Strømforsyning, 2x24 V AC, 2x60 V A
ETT-KH	Avdekning til OJ GreenZone™ Module M, montering på vegg
PTH-6202	Trykktransmitter med Modbus
ETF-1798	PT1000, utendørs temperaturføler (°C)
ETF-598B-5	PT1000, utendørs temperaturføler (°C)
OJ-Air2Split	Modbussfordeler, 4 x RJ12-kontakter + 8 x 1,5 mm <sup>2</sup> klemmer

**Produkter fra andre leverandører**

Type	Produkt
Telekabel, Type: TD6006 Black	Telekabel, 6-leder, fabrikkat INEC
TE Connectivity teleplugg, RJ12	Modulær teleplugg 6/6, RJ12 std. plugg

**KNX-produkter**

Type	Produkt
Weinzerl, BAOS 772, KNX/IP	KNX TCP/IP gateway
Arcus -EDS, SK03-TFK	KNX-føler, romtemperatur, relativ fukt
Arcus -EDS, AE-S8-CO2-TF	KNX-føler, romtemperatur, relativ fukt, CO2
Arcus -EDS, SK03R-T	KNX-føler, romtemperatur, +/- °C forskyvning
Arcus -EDS, SK01-T-KTF1	KNX-føler, temperatur (kanalmontering)
Züblin Elektro, Swiss Garde 360 KNX	KNX-føler, PIR bevegelsesmelder
Elsner Elektronik, KNX VOC-UP basic	KNX-føler, VOC-føler (montering på vegg)
MDT technologies, KNX Binary Input	KNX-inngangsmodul til vindus- og frostsinal
GIRA, 2104	KNX-føler, romtemperatur, relativ fukt, CO2

**INSTALLASJON**

OJ Zone Master installeres på en standard 35 mm DIN-skinne og i en metalkapsling som svarer til klassifiseringen av installasjonsstedet (se mål i fig. 2 og 3). Mekanisk konfigurasjon ses av fig. 19.

OJ GreenZone™ Master må forsynes med 24 V AC, +/-15 % og er derfor utstyrt med skrueskruer (maks. 1,5 mm<sup>2</sup>) til dette formålet.

Andre tilkoblinger er en kombinasjon av RJ12-kontakter og skrueterminaler til maks. 1,5 mm<sup>2</sup> ledningstilkobling.

**Elektrisk tilkobling** (se oversikt i fig. 1)

I fig. 4 er alle tilkoblingene markert med bokstavene (A – P).

Se beskrivelse nedenfor av elektrisk tilkobling for hver enkelt komponent, inn- og utganger samt andre signaler på OJ GreenZone™ Master.

**Tilkobling av analoge utganger merket "A"** (se fig. 4 og 5)

OJ GreenZone™ Master er utstyrt med 3 analoge utganger (0–10 V DC) (se fig. 4 og 5).

Analog utgang 1 er markert med **"Aou1"** (klemme 17) og kan brukes til styring av hastigheten på tilluftsviften på ventilasjonsanlegget (hovedanlegget).

Analog utgang 2 er markert med **"Aou2"** (klemme 18) og kan brukes til styring av hastigheten på avtrekksviften på ventilasjonsanlegget (hovedanlegget).

Analog utgang 3 er markert med **"Aou3"** (klemme 19) og kan brukes til styring av hastigheten på kjølesystemets sirkulasjonspumpe.

Den felles forbindelsen til rammen (GND) er markert med  (klemme 16).


For å styre viftene så energioptimalt som mulig er det innbygd en funksjon i OJ GreenZone™ Module som hele tiden optimerer spjeldstillingen. Optimeringen betyr at trykket i kanalen alltid er det lavest mulige, at det er den riktige luftmengden i sonene, og at ingen VAV-soner er mer enn 80 % åpne.


Hvis det er behov for kjøling i minst én sone, vil tilluftstemperaturen på hovedanlegget bli beregnet i samsvar med det innstilte minimumssettpunktet i OJ GreenZone™ Master. Hvis der ikke er et kjølebehov i sonene, vil tilluftstemperaturen på hovedanlegget bli beregnet i samsvar med det lavest beregnede settpunktet i de tilkoblede sonene.

Hastigheten på sirkulasjonspumpen for kjølevann skal reguleres slik at det opprettholdes et tilstrekkelig trykk til at kjøleventilene i sonene er min. 80 % åpne. Dermed blir trykket redusert i kjølesystemet og energiforbruket til kjølepumpen blir også redusert.

### Tilkobling av digitale utganger merket "B og C" – frigivningssignal, varme/kjøle (se fig. 4 og 6)

OJ GreenZone™ Master har 2 potensialfrie digitale utganger som blir aktivert, når sonen er i henholdsvis varme- eller kjølestatus. Maks. spenning på "Dou1" og "Dou2" er 230 V, og maks. belastning er 5 A.

Utgangen  (klemme 20–21) kan brukes til å starte sirkulasjonspumpen i kjølesystemet (fig. 6).

Utgangen  (klemme 22–23) kan brukes til å starte sirkulasjonspumpen i varmesystemet (fig. 6).

### Tilkobling av digitale utganger merket "D, E og F" – driftssignal og alarmreleer (se fig. 4 og 7)

OJ GreenZone™ Master er utstyrt med 3 potensialfrie, digitale utganger som blir aktivert under følgende forutsetninger:

Maks. spenning på "Dou3", "Dou4" og "Dou5" er 30 V, og maks. belastning er 5 A. Utgangen "START" (klemme 24–25) blir aktivert når minst en sone er i drift (fig. 7).

Utgangen "A Δ" (klemme 26–27) blir aktivert når det er en A-alarm i sonesystemet (fig. 7).



Utgangen "B Δ" (klemme 28–29) blir aktivert når det er en B-alarm i sonesystemet (fig. 7).

### Spenningsforsyning merket "G" (se fig. 4 og 10)

OJ GreenZone™ Master må forsynes med 24 V AC på klemmene 1 og 2 (se fig. 4 og 10).

### Tilkobling av digitale innganger merket "H, J og K" (se fig. 4 og 11)

OJ GreenZone™ Master er utstyrt med 6 digitale innganger.

- Digital inngang 1 ("Din1") klemme 3 og 4 er merket med dette symbolet:  og benyttes til alarmsignal fra tilluftsviften. Alarmen kan være fra et overbelastningsrelé, en termisk overhetingssikring innbygd i viften e.l. Alarmen blir aktivert når inngangen sluttes.
- Digital inngang 2 ("Din2") klemme 4 og 5 er merket med dette symbolet:  og benyttes til alarmsignal fra avtrekksviften. Alarmen kan være fra et overbelastningsrelé, en termisk overhetingssikring innbygd i viften e.l. Alarmen blir aktivert når inngangen sluttes.
- Digital inngang 3 ("Din3") klemme 6 og 7 er merket med symbolet "START" og benyttes til å bytte status på alle de tilkoblede sonene. Når inngangen ("Din3") er åpen, er alle sonene i standby-tilstand, det betyr at alle VAV-spjeld er stengt, og sonene er tvangsstoppet. Inngangen kan benyttes hvis

det er hovedanlegget som skal frigi driften til sonene. Elektrisk kontakt, se fig. 22. Hvis hovedanlegget skal startes av den første aktive sonen, f.eks. registrert av en PIR-føler, må inngangen ("Din3") være åpen. Elektrisk kontakt, se fig. 23.

- Digital inngang 4 ("Din4") klemme 7 og 8 er merket med symbolet "FIRE" og benyttes til å stoppe hovedanlegget i tilfelle av brannfare. Alarmen kan være fra et sentralt brannalarmanlegg, en branntermostat, en mekanisk røykvarsler e.l. Alarmen blir aktivert når inngangen er åpen. Driftstilstanden til anlegget ved brann innstilles av installatøren fra webgrensesnittet og kan innstilles til maks. luftmengde og helt åpne VAV-spjeld eller ingen luftmengde og helt lukkede VAV-spjeld og stoppet hovedanlegg (se flere opplysninger i installatørveiledningen).
- Digital inngang 5 («Din5»), klemme 9 og 10 er merket med symbol «MAX» og brukes til å tvinge alle tilkoblede VAV-sonespjeld til å åpne seg maks luftvolum når inngangen aktiveres (se monteringsanvisningene for mer informasjon).
- Digital inngang 6 («Din6»), klemme 10 og 11 er merket med symbol «MIN» og brukes til å tvinge alle tilkoblede VAV-sonespjeld til å lukke seg til minimum luftvolum når inngangen aktiveres (se monteringsanvisningene for mer informasjon).

### Tilkobling av følerinnganger merket "L" (se fig. 4 og 12)

OJ GreenZone™ Master er utstyrt med to PT1000-følerinnganger for tilkobling av en temperaturføler i kjølekretsen / buffertanken for varmepumpen og en utendørs temperaturføler. Følerne er standard PT1000-følere, f.eks. av typen ETF-x98 fra OJ Electronics.

Temperaturføleren som måler vanntemperaturen, tilkobles klemme 12 og 13. Føleren kan enten være en type som måler overflatetemperaturen på kjølevannsledningen eller er beregnet for montering i dykkkrør.

Temperaturføleren som måler utetemperaturen, tilkobles klemme 13 og 14.

*OBS!*

*Merk at klemme nummer 15 ikke har noen funksjon!*

### Tilkobling av TCP/IP BMS-inngang merket "N" (se fig. 4, 14 og 17)

OJ GreenZone™ Master er utstyrt med standard RJ45-kontakt (se fig. 17) for tilkobling til et TCP/IP-nettverk eller direkte til et BMS-system, se fig. 14 og punkt "Kommunikasjonsprotokoll" i denne instruksjonen.

Inngangen TCP/IP BMS benyttes dessuten for adgang til den innbygde webserveren.

**Tilkobling av Modbuss AHU-inngang merket "N"** (se fig. 4, 14 og 17)

OJ GreenZone™ Master er utstyrt med en standard RJ12-inngang (se klemmeoversikt i fig. 24) for tilkobling til et ventilasjonsanlegg (se fig. 17). Kommunikasjonsprotokollen er Modbuss RS485 (se fig. 14, 25, 26 samt installatørveiledningen til dette produktet).

**Tilkobling av CASCADE OUT-inngang merket "N"** (se fig. 4, 14 og 17)

OJ GreenZone™ Master er utstyrt med en standard RJ12-inngang (se klemmeoversikt i fig. 24) for sammenkobling av opptil 5 OJ GreenZone™ Master i et fullt utbygd OJ GreenZone™-system. OJ GreenZone™ Master kobles sammen i kaskade som vist i fig. 16. Den første OJ GreenZone™ Master er systemets MASTER 1. Det er den OJ GreenZone™ Master der "Cascade Out" er ubenyttet.

**Tilkobling av CASCADE IN-inngang merket "P"** (se fig. 4, 14, 15 og 16)

Se punktet ovenfor "CASCADE OUT" (se klemmeoversikt i fig. 8).

**Tilkobling av Modbuss Out1 og Modbuss Out2-inngang merket "P"**

(se fig. 4, 15 og 17)

OJ GreenZone™ Master er utstyrt med 2 standard RJ12-inngang (se klemmeoversikt i fig. 8) for tilkobling og sammenkobling av OJ GreenZone™ Module i et fullt utbygd OJ GreenZone™-system. Du kan maks. tilkoble 25 OJ GreenZone™ Module til én OJ GreenZone™ Master. Se fig. 18. OJ GreenZone™ Module tilkobles i serie (Daisy chain), og antallet av OJ GreenZone™ Module på hver av de 2 inngangene "Modbuss Out1" og "Modbuss Out2" er valgfri hvis bare det maksimale antallet på 25 stk. OJ GreenZone™ Module ikke overskrides.

Er det behov for flere OJ GreenZone™ Module i samme system, må det installeres en OJ GreenZone™ Master pr. 25 OJ GreenZone™ Module. Se fig. 16.

**Beskyttelse mot over-/undertrykk i kanaler**

Trykket i kjølesystemet begrenses/reguleres gjennom montering av en PTH-3202-trykktransmitter både i utblåsningskanalen og innløpskanalen. Se fig. 30 og 31. Trykktransmitter P1 monteres i utblåsningskanalen med et slangeforbundet endestykke (måler undertrykk). Plussendestykket skal ikke kobles til. Trykktransmitter P2 monteres i innløpskanalen med et slangeforbundet endestykke (måler overtrykk). Minusendestykket skal ikke kobles til.

**Konstant trykk i kanal (sonemodul A)**

Hvis sonesystemet er montert med sonemodul A, skal kanaltrykket reguleres med konstant trykk. Enten med ventilasjonssystemet eller gjennom tilkobling av trykktransmitter P1 og P2 til sonemasteren, noe som er beskrevet videre her.

**Innbygd SD-kortleser merket "M"**

OJ GreenZone™ Master har en innbygd SD-kortleser, som støtter standard SDHC på maks. 8 GB (se fig. 4 og 13).

Kortleseren benyttes for oppdatering av programvaren i OJ GreenZone™ Master samt til datalogging.

Dataloggfiler kan sendes inn for diagnostisering hos OJ Electronics A/S etter forhåndsavtale med en supportmedarbeider hos OJ Electronics A/S. Kontakt supportavdelingen på support@oj.dk.

*OBS! SD-kort settes i kortleseren med kontaktflatene fremover.*

**Sikring av data i OJ GreenZone™ Master**

Ved kommunikasjonsfeil og/eller strømbuidd til OJ GreenZone™ Master vil alle data bli lagret. Ved reetablering av kommunikasjon og/eller spenningsforsyning fungerer og starter OJ GreenZone™ Master igjen opp i normal drift.

**TEKNISKE DATA**

Matespenning	24 V AC +/-15 % (se fig. 10)
Eget forbruk, tomgangsforbruk	≤ 5 VA
TCP/IP-tilkoblinger	1 x RJ45-kontakt (8P8C)
Modbuss-tilkoblinger	5 x RJ12-kontakt (6P6C)
Modbuss-kommunikasjon	RS-485, 38,4 kBaud
Modbussadresse, OJ Zone Master	Fabrikkinnstilt 192.168.1.101
Digitale innganger	6 x pull-up
Digitale utganger	2 potensialfrie (maks 230 VAC, 5 A)
	3 potensialfrie (maks 30 VAC, 5 A)
Følerinnganger	2 x PT1000
Opplosning, temperatur	0,01 °C
Spenningsutganger	3 x 0-10 V DC
Kapslingsklasse	IP20
Dimensjoner	(se fig. 2 og 3)
Vekt	430 g

**Konfigurering av OJ GreenZone™ Master**

OJ GreenZone™ Master og tilkoblede Green Zone Module konfigureres vha. den innbygde webserveren. Vedr. webserver, se Installatørveiledning.

Hent aktuell Installatørveiledning på [www.ojelectronics.com](http://www.ojelectronics.com).



## KOMMUNIKASJONSPROTOKOLLER

### BACnet, TCP/IP for BMS

OJ GreenZone™ Master støtter BACnet for TCP/IP-kommunikasjon til BMS-system.

BACnet TCP/IP tilkobles inngang merket TCP/IP BMS (se fig. 14).

BACnet-protokoll:

Hent aktuell BACnet-protokoll på [www.ojelectronics.com](http://www.ojelectronics.com).

### Modbus, TCP/IP for BMS

OJ GreenZone™ Master støtter Modbus for TCP/IP-kommunikasjon til BMS-system. Modbus TCP/IP tilkobles inngangen merket TCP/IP BMS (se fig. 14).

Modbus-protokoll:

Hent aktuell Modbus-protokoll på [www.ojelectronics.com](http://www.ojelectronics.com).

### TCP/IP

OJ GreenZone™ Master bruker følgende standardparametre for TCP/IP-nettverk:

IP-adresse:	192.168.1.101
Nettmaske:	255.255.255.0
Gateway:	192.168.1.1
DNS:	192.168.1.1
Alternativ DNS:	0.0.0.0

OJ GreenZone™ Master støtter «IPconfig». IPconfig er et PC-basert verktøy for innstilling og utlesning av TCP/IP-nettverksinnstillinger for enheter som er koblet til et lokalnett (LAN). IPconfig kan skanne et lokalnett etter tilkoblede enheter, og brukeren kan angi kommunikasjonsparametere, f.eks. IP-adresse, nettverksmaske, gateway, DNS-server og vertsnavn for hver individuelle enhet.

Med IPconfig kan IP-adressen til OJ GreenZone™ Master leses ut og konfigureres.

Bare TCP/IP-enheter som støtter IPconfig, kan skannes av IPconfig.

IPconfig kan lastes ned fra [www.ojelectronics.com](http://www.ojelectronics.com).

### KNX rutergrensesnitt til sonekomponenter

OJ GreenZone™ Master støtter kommunikasjon med "KNX IP BAOS 772" KNX-ruter (Fabrikat Weinzierl) gjennom Object-Server-grensesnitt (se fig. 20 og 21).

OJ GreenZone™ Master bruker IP-adresse "192.168.1.33" som standard IP-adresse til KNX-ruteren.

Hent aktuell KNX-protokoll på [www.ojelectronics.com](http://www.ojelectronics.com).

## SERVICE OG VEDLIKEHOLD

OJ GreenZone™ Master inneholder ingen komponenter som krever service eller vedlikehold.

Vennligst kontakt leverandøren i tilfelle av problemer.

## MILJØ OG AVHENDING AV AVFALL

Vær med på å beskytte miljøet ved å avhende emballasje og brukte produkter på en miljøriktig måte.

### Avhending av produktet



Produkter med dette merket må ikke avhendes som alminnelig husholdningsavfall, men må samles inn særskilt i henhold til gjeldende lokale regler.

## OJ ELECTRONICS A/S

Stenager 13B · DK-6400 Sønderborg

Tlf. +45 73 12 13 14 · Faks +45 73 12 13 13

[oj@ojelectronics.com](mailto:oj@ojelectronics.com) · [www.ojelectronics.com](http://www.ojelectronics.com)

## CE-MERKING

2004/108/EØF EMC-DIREKTIVET

Europaparlamentets og -rådets direktiv av 15. desember 2004 om tilnærming av medlemsstatenes lovgivning om elektromagnetisk kompatibilitet og opphevelse av direktiv 89/336/EEC.

2006/95/EØF LAVSPENNINGSDIREKTIVET

Rådsdirektiv 2006/95/EF av 12. desember 2006 om tilnærming av medlemsstatenes lovgivning om elektrisk utstyr bestemt til bruk innenfor visse spenningsgrenser.

## Benyttede standarder


EN 60730-1 2000 / Automatiske, elektriske kontrollorganer for husholdnings- og lignende bruk. Del 1: Generelle sikkerhetskrav.

## FEILSØKING

Symptom	Årsak	Handling
Ingenting virker på OJ GreenZone™ Master	Ingen spenning	Kontroller at det er spenning (24 V AC) på klemme 1 og 2.
	Defekt OJ GreenZone™ Master	Bytt OJ GreenZone™ Master.
Kan ikke logge på webserver i OJ GreenZone™ Master via direkte LAN-forbindelse.	LAN-kabel feil tilkoblet	Kontroller at LAN-kabelen er tilkoblet korrekt i begge ender.
	Defekt LAN-kabel	Bytt LAN-kabel.
	Feil IP-adresse	Kontroller den innstilte, statiske IP-adressen i OJ GreenZone™ Master. IP-adressen er fra fabrikkens prekonfigurert til "Statisk" IP-adresse 192.168.1.101.
		Kontroller den innstilte, statiske IP-adressen på nettverkskortet i PC-en. IP-adressen i PC-en må være forskjellig fra IP-adressen ovenfor. Innstill IP-adressen på PC-ens nettverkskort til f.eks. 192.168.1.100
		Tast inn den riktige IP-adressen i nettleseren: 192.168.1.101.
Defekt nettkort i PC	Prøv med en annen PC.	
Defekt OJ GreenZone™ Master	Bytt OJ GreenZone™ Master.	
Hovedanlegget starter ikke selv om det er driftssignal fra minst en sone – hovedanlegget er tilkoblet via Modbus	Modbus-kabel feil tilkoblet	Kontroller at Modbus-kabelen er tilkoblet korrekt i begge ender.
	Defekt Modbus-kabel	Bytt Modbuskabel.
	Feil oppsetting av Modbus-kommunikasjon	Kontroller oppsetting av Modbus-kommunikasjon og Modbus-adresser – se Installatorveiledning.
Kan ikke logge på webserver i OJ GreenZone™ Master via ruter/DHCP LAN-forbindelse	IP-adressen i OJ GreenZone™ Master er innstilt på "Statisk"	Angi IP-adressen til DHCP ved å bruke den lokale webserveren eller ved å bruke verktøyet IPconfig.
	LAN-kabler feil tilkoblet	Kontroller alle LAN-kabeltilkoblingene i ruter, PC og OJ GreenZone™ Master.
	IP-adressen i PC-nettkortet er innstilt på "Statisk"	Innstill IP-adressen på "Hent automatisk en IP-adresse".
	Feil IP-adresse i adresselinje	Tast inn den riktige IP-adressen i nettleseren: 192.168.1.101.
	Defekt nettkort i PC	Prøv med en annen PC.
Defekt OJ GreenZone™ Master	Bytt OJ GreenZone™ Master.	
Kan ikke logge på webserver i OJ GreenZone™ Master via smarttelefon	Wi-Fi-ruteren er slått av	Slå på Wi-Fi-ruteren.
	Smarttelefon er ikke koblet på Wi-Fi-nettverk	Start et søk etter tilgjengelige nettverk på din smarttelefon. Tilkoble smarttelefonen til det samme nettverket som OJ GreenZone™ Master er tilkoblet.
	Feil IP-adresse i adresselinje	Start en nettleser i din smarttelefon, og tast inn den riktige IP-adressen i nettleseren. IP-adressen til OJ GreenZone™ Master kan leses ut med verktøyet IPconfig.

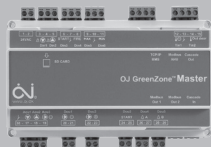


Symptom	Årsak	Handling
Det mangler ett eller flere OJ GreenZone™ Module i webserveren	Manglende spenningsforsyning til en eller flere OJ GreenZone™ Module	Kontroller spenningsforsyning til OJ GreenZone™ Module. Se tilkobling av spenningsforsyning til OJ GreenZone™ Module i instruksjonen til OJ GreenZone™ Module fig. 8 og 9.
Det mangler ett eller flere OJ GreenZone™ Module i webserveren	Feil i Modbuss-kabeltilkobling mellom OJ GreenZone™ Master og OJ GreenZone™ Module eller mellom de enkelte OJ GreenZone™ Module.	Kontroller Modbuss kabeltilkobling mellom OJ GreenZone™ Master og OJ GreenZone™ Module samt innbyrdes mellom de enkelte OJ GreenZone™ Module.
	Defekt OJ GreenZone™ Module	Bytt OJ GreenZone™ Module.
	Defekt OJ GreenZone™ Master	Bytt OJ GreenZone™ Master.
Det kommer ingen alarm når digital inngang 1 blir aktivert. <i>Funksjon: Inngangen registrerer alarm fra tilluftsviften</i>	Feil i elektrisk kontakt	Kontroller elektrisk kontakt. Se fig. 11. Alarmer blir aktivert når inngangen sluttes (På).
Det kommer ingen alarm når digital inngang 2 blir aktivert. <i>Funksjon: Inngangen registrerer alarm fra avtrekksviften</i>	Feil i elektrisk kontakt	Kontroller elektrisk kontakt. Se fig. 11. Alarmer blir aktivert når inngangen sluttes (På).
Sonene blir værende i standby når digital inngang 3 sluttes	Feil i elektrisk kontakt	Kontroller elektrisk kontakt. Se fig. 11. Alarmer blir aktivert når inngangen sluttes (På).
	Manglende spenningsforsyning til en eller flere OJ GreenZone™ Module	Kontroller spenningsforsyning til OJ GreenZone™ Module. Se tilkobling av spenningsforsyning til OJ GreenZone™ Module i instruksjonen til OJ GreenZone™ Module fig. 8 og 9.
	Feil i Modbuss-kabeltilkobling mellom OJ GreenZone™ Master og OJ GreenZone™ Module eller mellom de enkelte OJ GreenZone™ Module.	Kontroller Modbuss kabeltilkobling mellom OJ GreenZone™ Master og OJ GreenZone™ Module samt innbyrdes mellom de enkelte OJ GreenZone™ Module.
	Defekt OJ GreenZone™ Module	Bytt OJ GreenZone™ Module.
	Defekt OJ GreenZone™ Master	Bytt OJ GreenZone™ Master.
OJ GreenZone™ Master reagerer ikke på brannalarminngangen "FIRE"	Feil i elektrisk kontakt	Kontroller elektrisk kontakt. Se fig. 11. Alarmer blir aktivert når inngangen sluttes (På).
	Manglende spenningsforsyning til en eller flere OJ GreenZone™ Module	Kontroller spenningsforsyning til OJ GreenZone™ Module. Se tilkobling av spenningsforsyning til OJ GreenZone™ Module i instruksjonen til OJ GreenZone™ Module fig. 8 og 9.
	Feil i Modbuss-kabeltilkobling mellom OJ GreenZone™ Master og OJ GreenZone™ Module eller mellom de enkelte OJ GreenZone™ Module.	Kontroller Modbuss kabeltilkobling mellom OJ GreenZone™ Master og OJ GreenZone™ Module samt innbyrdes mellom de enkelte OJ GreenZone™ Module.

Symptom	Årsak	Handling
OJ GreenZone™ Master reagerer ikke på brannalarminngangen "FIRE"	Defekt OJ GreenZone™ Module	Bytt OJ GreenZone™ Module.
	Defekt OJ GreenZone™ Master	Bytt OJ GreenZone™ Master.
OJ GreenZone™ Master reagerer på inndataene «MAX».	Feil i elektrisk kontakt	Kontroller elektrisk kontakt. Se fig. 11. Funksjonen blir aktivert når inngangen sluttes (På).
	Manglende spenningsforsyning til en eller flere OJ GreenZone™ Module	Kontroller spenningsforsyning til OJ GreenZone™ Module. Se tilkobling av spenningsforsyning til OJ GreenZone™ Module i instruksjonen til OJ GreenZone™ Module fig. 8 og 9.
	Feil i Modbuss-kabeltilkobling mellom OJ GreenZone™ Master og OJ GreenZone™ Module eller mellom de enkelte OJ GreenZone™ Module.	Kontroller Modbuss kabeltilkobling mellom OJ GreenZone™ Master og OJ GreenZone™ Module samt innbyrdes mellom de enkelte OJ GreenZone™ Module.
	Defekt OJ GreenZone™ Module	Bytt OJ GreenZone™ Module.
	Defekt OJ GreenZone™ Master	Bytt OJ GreenZone™ Master.
OJ GreenZone™ Master reagerer på inndataene «MIN».	Feil i elektrisk kontakt	Kontroller elektrisk kontakt. Se fig. 11. Funksjonen blir aktivert når inngangen sluttes (På).
	Manglende spenningsforsyning til en eller flere OJ GreenZone™ Module	Kontroller spenningsforsyning til OJ GreenZone™ Module. Se tilkobling av spenningsforsyning til OJ GreenZone™ Module i instruksjonen til OJ GreenZone™ Module fig. 8 og 9.
	Feil i Modbuss-kabeltilkobling mellom OJ GreenZone™ Master og OJ GreenZone™ Module eller mellom de enkelte OJ GreenZone™ Module.	Kontroller Modbuss kabeltilkobling mellom OJ GreenZone™ Master og OJ GreenZone™ Module samt innbyrdes mellom de enkelte OJ GreenZone™ Module.
	Defekt OJ GreenZone™ Module	Bytt OJ GreenZone™ Module.
	Defekt OJ GreenZone™ Master	Bytt OJ GreenZone™ Master.
Følere viser feil verdi	Feil i elektrisk kontakt	Kontroller elektrisk kontakt. Se fig. 12.  Legg merke til at klemme nr. 15 ikke benyttes og må derfor være ubenyttet.
	Gal følerstype	Kontroller at føleren er av typen PT1000.
	Føleren er ikke plassert riktig	Kontroller følerplassering.
	Føler defekt	Foreta kontrollmåling av den tilkoblede føleren. Føleren må vise en motstand på ca. 1078 Ω ved 20 °C. Bytt føler.
Tilluftsviften regulerer ikke eller kjører ikke	Feil i elektrisk kontakt fra analog utgang 1 (Aou1)	Kontroller elektrisk kontakt. Se fig. 5.

Symptom	Årsak	Handling
Tilluftsviften regulerer ikke eller kjører ikke	Avbrutt eller avslått spenningsforsyning til tilluftsviften eller frekvensomformerer	Kontroller spenningsforsyning til vifte og frekvensomformer.
	Defekt OJ GreenZone™ Master	Bytt OJ GreenZone™ Master.
Avtrekksviften regulerer ikke eller kjører ikke	Feil i elektrisk kontakt fra analog utgang 2 (Aou2)	Kontroller elektrisk kontakt. Se fig. 5.
	Avbrutt eller slukket spenningsforsyning til avtrekksviften eller frekvensomformerer	Kontroller spenningsforsyning til vifte og frekvensomformer.
	Defekt OJ GreenZone™ Master	Bytt OJ GreenZone™ Master.
Sirkulasjonspumpen til kjølevann regulerer ikke eller kjører ikke	Feil i elektrisk kontakt fra analog utgang 3 (Aou3)	Kontroller elektrisk kontakt. Se fig. 5.
	Avbrutt eller slukket spenningsforsyning til sirkulasjonspumpen eller frekvensomformerer	Kontroller spenningsforsyning til pumpe og frekvensomformer.
	Defekt OJ GreenZone™ Master	Bytt OJ GreenZone™ Master.
Frigivningssignal til kjøling (Dou1) virker ikke	Feil i elektrisk kontakt fra digital utgang 1 (Dou1)	Kontroller elektrisk kontakt. Se fig. 6.
	Avbrutt eller slukket spenningsforsyning til kjølesystemet	Kontroller spenningsforsyning til kjølesystemet.
	Det er ikke behov for kjøling	Skap et kjølebehov ved å senke temperatursettpunktet.
	Defekt OJ GreenZone™ Master	Bytt OJ GreenZone™ Master.
Frigivningssignal til varme (Dou2) virker ikke	Feil i elektrisk kontakt fra digital utgang 2 (Dou2)	Kontroller elektrisk kontakt. Se fig. 6.
	Avbrutt eller slukket spenningsforsyning til varmesystemet	Kontroller spenningsforsyning til varmesystemet.
	Det er ikke behov for oppvarming	Skap et varmebehov ved å heve temperatursettpunktet.
	Defekt OJ GreenZone™ Master	Bytt OJ GreenZone™ Master.
Startsignal (Dou3) som skal starte hovedanlegget, virker ikke	Feil i elektrisk kontakt fra digital utgang 3 (Dou3)	Kontroller elektrisk kontakt. Se fig. 7.
	Avbrutt eller slukket hovedanlegg	Kontroller spenningsforsyning til hovedanlegget (AHU).
	Manglende driftssignal fra sonene	Aktiver minst en sone til drift.
	Defekt OJ GreenZone™ Master	Bytt OJ GreenZone™ Master.

Symptom	Årsak	Handling
A-alarmer (Dou4) blir ikke aktivert, selv om det er A-alarmer i systemet	Feil i elektrisk kontakt fra digital utgang 4 (Dou4)	Kontroller elektrisk kontakt. Se fig. 7.
	Defekt OJ GreenZone™ Master	Bytt OJ GreenZone™ Master.
B-alarmer (Dou5) blir ikke aktivert selv om det er B-alarmer i systemet	Feil i elektrisk kontakt fra digital utgang 5 (Dou5)	Kontroller elektrisk kontakt. Se fig. 7.
	Defekt OJ GreenZone™ Master	Bytt OJ GreenZone™ Master.



Dansk



## FIGUROVERSIGT

Følgende figurer findes bagerst i instruktionen:

- Fig. 1: OJ GreenZone™ Master
- Fig. 2: Målskema, front
- Fig. 3: Målskema, side
- Fig. 4: Oversigt over tilslutninger i OJ GreenZone™ Master
- Fig. 5: Analoge udgange, 0-10 VDC
- Fig. 6: Digitale udgange (Dou1 og Dou2)
- Fig. 7: Digitale udgange (Dou3, Dou4 og Dou5)
- Fig. 8: RJ12 Modbus-stik; Modbus Out 1, Modbus Out 2 og Cascade In
- Fig. 9: Forbindelse Modbus-kabel
- Fig. 10: Tilslutning af spændingsforsyning
- Fig. 11: Digitale indgange (Din1...Din6)
- Fig. 12: Tilslutning af PT1000-følere
- Fig. 13: SD-kortlæser
- Fig. 14: TCP/IP BMS, Modbus AHU, Cascade Out
- Fig. 15: Modbus Out1, Modbus Out2, Cascade In
- Fig. 16: Elektrisk Modbus-kaskadekonfiguration
- Fig. 17: Oversigt, stikplacering
- Fig. 18: Tilslutning af OJ GreenZone™ Moduler
- Fig. 19: Konfigurationsoversigt
- Fig. 20: Kommunikationskonfiguration
- Fig. 21: KNX-konfiguration
- Fig. 22: Elektrisk forbindelse, når AHU frigiver zonerne
- Fig. 23: Elektrisk forbindelser ved Start afhængighed
- Fig. 24: RJ12 Modbus-stik; Modbus AHU og Cascade Out
- Fig. 25: Modbus-tilslutning til OJ-Air2 Master
- Fig. 26: Modbus-tilslutning til 3. parts-AHU
- Fig. 27: Konfiguration - Behov kontrolleret ventilation
- Fig. 28: Konfiguration - Fælles udsugning
- Fig. 29: Konfiguration - Gren spjæld
- Fig. 30: Konfiguration - Tryk beskyttelse

Fig. 31: Konfiguration - Slave i store rum

Fig. 32: Konfiguration - Hvordan sættes adressen?

## GENERELT

OJ GreenZone™ Master er en elektronisk styring (controller), som kan styre et antal VAV-zoner (maks. 25) i et ventilationssystem. OJ GreenZone™ Master indeholder alle de funktioner, som kræves for at håndtere op til 25 zoner vha. OJ GreenZone™ Module. Der kan sammenkobles op til 5 OJ GreenZone™ Mastere i et fuldt udbygget system. Et fuldt udbygget OJ GreenZone™-system kan altså kontrollere op til 125 zoner.

## BESKRIVELSE

OJ GreenZone™ Master er den "intelligente" komponent i et OJ GreenZone™ system, hvor OJ GreenZone™ Moduler styrer de enkelte zoner/rum. OJ GreenZone™ Master og de tilsluttede Green Zone Moduler konfigureres vha. den indbyggede webserver.

OJ GreenZone™ Master indeholder en avanceret optimeringsfunktion til styring af ventilatorhastighed og til styring af pumpe til varme og/eller køle-flade. Med OJ GreenZone™ Master er der mulighed for at tilgå regulerings- og komfort-parametre enten fra den indbyggede webserver eller ved at tilslutte og betjene OJ GreenZone™-systemet fra et Building Management System (BMS). BMS-systemets kommunikationsprotokol er Modbus eller BACnet. KNX-komponenter i zonerne kan tilsluttes vha. KNX/Ethernet-konverter. Kommunikationen mellem OJ GreenZone™ Master og OJ GreenZone™ Modulerne i de tilsluttede zoner er standard Modbus RS485. Ved at kombinere maks. 5 OJ GreenZone™ Mastere i et system, hvor hver Master kan styre op til 25 OJ GreenZone™ Moduler, er det muligt at styre og kontrollere 125 individuelle zoner/rum.

Den daglige betjening kan foretages fra den indbyggede webserver, via et tilsluttet BMS-system eller fra en smartphone. Se fig. 20.

## PRODUKTPROGRAM

### Produkter fra OJ Electronics

Type	Produkt
OJ-Zonemaster	Mastermodul til styring af maks. 25 stk. OJ GreenZone™ Module M
OJ-Zonemodul-M	Zonemodul til styring af én zone med Direct Modbus aktuatorer
OJ-Zonemodul-A	Zonemodul til styring af én zone med 0-10V aktuatorer
OJ-Zonemodul-MP	Zonemodul til styring af én zone med MP Bus aktuatorer
OJ-Air2PWR80	Strømforsyning, 2x24 VAC, 2x60 VA
ETT-KH	Afdækning til OJ GreenZone™ Module M, vægmontage
PTH-6202	Tryktransmitter med Modbus
ETF-1798	PT1000 udetemperaturføler (°C)
ETF-598B-5	PT1000 vandtemperaturføler (°C)
OJ-Air2Split	Modbusfordeler, 4 x RJ12-stik + 8 x 1,5 mm <sup>2</sup> klemmer

### Produkter fra øvrige leverandører

Type	Produkt
Telekabel, Type:TD6006 Black	Telekabel, 6-leder, fabrikat INEC
TE Connectivity Telestik, RJ12	Modulært telestik 6/6, RJ12 std. stik

### KNX-produkter

Type	Produkt
Weinzierl, BAOS 772, KNX/IP	KNX TCP/IP gateway
Arcus -EDS, SK03-TFK	KNX-føler, rumtemperatur, relativ fugt
Arcus -EDS, AE-S8-CO2-TF	KNX-føler, rumtemperatur, relativ fugt, CO2
Arcus -EDS, SK03R-T	KNX-føler, rumtemperatur, +/- °C forskydning
Arcus -EDS, SK01-T-KTF1	KNX-føler, temperatur (kanalmontage)
Züblin Elektro, Swiss Garde 360 KNX	KNX-føler, PIR-bevægelsesmelder
Elsner Elektronik, KNX VOC-UP basic	KNX-føler, VOC-føler (vægmontage)
MDT technologies, KNX Binary Input	KNX-indgangsmodul til vindues- og frostsinal
GIRA, 2104	KNX-føler, rumtemperatur, relativ fugt, CO2

## INSTALLATION

OJ Zone Master installeres på en standard 35 mm DIN-skinne og i en metalkapsling, som modsvarer installationstedets klassificering (se mål i fig. 2 og 3). Mekanisk konfiguration fremgår af fig. 19.

OJ GreenZone™ Master skal forsynes med 24 VAC, og er derfor forsynet med skrueteklemmer (maks. 1,5 mm<sup>2</sup>) til formålet.

Øvrige tilslutninger er en kombination af RJ12-stikforbindelser og skrueterminaler til maks. 1,5 mm<sup>2</sup> ledningstilslutning.

### Elektrisk tilslutning (se oversigt i fig. 1)

I fig. 4 er alle tilslutninger markeret med et bogstav (A – P).

Se nedenstående beskrivelse af elektrisk tilslutning for hver enkelt komponent, ind- og udgange samt øvrige signaler på OJ GreenZone™ Master.


### Tilslutning af analoge udgange markeret med "A" (se fig. 4 og 5)

OJ GreenZone™ Master er forsynet med 3 analoge udgange (0-10 VDC) (se fig. 4 og 5).

Analog udgang 1 er markeret med "Aou1" (klemme 17) og kan anvendes til styring af hastigheden på indblæsningsventilatoren på ventilationsanlægget (hovedanlægget).

Analog udgang 2 er markeret med "Aou2" (klemme 18) og kan anvendes til styring af hastigheden på udsugningsventilatoren på ventilationsanlægget (hovedanlægget).

Analog udgang 3 er markeret med "Aou3" (klemme 19) og kan anvendes til styring af hastigheden på kølesystemets cirkulationspumpe.

Den fælles stelforbindelse (GND) er markeret med  (klemme 16).

For at styre ventilatorerne så energioptimalt som muligt er der i OJ GreenZone™ Module indbygget en funktion, som hele tiden optimerer spjældstillingen. Optimeringen betyder, at trykket i kanalen altid er det lavest mulige, at der er den rigtige luftmængde i zonerne, og at ingen VAV-spjæld er mere end 80 % åbne.


Hvis der i mindst én zone er behov for køling, vil indblæsningstemperaturen på hovedanlægget blive beregnet i overensstemmelse med det indstillede minimumsetpunkt i OJ GreenZone™ Master. Hvis der ikke er et kølebehov i zonerne, vil indblæsningstemperaturen på hovedanlægget blive beregnet i overensstemmelse med det lavest beregnede setpunkt i de tilsluttede zoner.


Hastigheden på cirkulationspumpen til kølevand reguleres, således at der opretholdes et tilstrækkeligt tryk til, at køleventilerne i zonerne er min. 80 % åbne. Derved reduceres trykket i kølesystemet og dermed energiforbruget til kølepumpen.

**Tilslutning af digitale udgange markeret med "B og C"**

– frigivningssignal, varme/køle (se fig. 4 og 6)

OJ GreenZone™ Master er forsynet med 2 potentialfrie digitale udgange, som aktiveres, når zonen er i henholdsvis varme- eller kølestatus. Maks. spænding på "Dou1" og "Dou2" er 230 V, og maks. belastning er 5 A.

Udgangen  (klemme 20-21) kan bruges til at starte cirkulationspumpen i kølesystemet med (fig. 6).

Udgangen  (klemme 22-23) kan bruges til at starte cirkulationspumpen i varmesystemet med (fig. 6).

**Tilslutning af digitale udgange markeret med "D, E og F"**

– driftssignal og alarmrelæer (se fig. 4 og 7)

OJ GreenZone™ Master er forsynet med 3 potentialfrie digitale udgange, som aktiveres under følgende forudsætninger:

Maks. spænding på "Dou3", "Dou4" og "Dou5" er 30 V, og maks. belastning er 5 A.

Udgangen "START" (klemme 24-25) aktiveres, når mindst én zone er i drift (fig. 7).

Udgangen "A Δ" (klemme 26-27) aktiveres, når der er en A-alarm i zonesystemet (fig. 7).

Udgangen "B Δ" (klemme 28-29) aktiveres, når der er en B-alarm i zonesystemet (fig. 7).



**Spændingsforsyning markeret med "G"** (se fig. 4 og 10)

OJ GreenZone™ Master skal forsynes med 24 VAC på klemmerne 1 og 2 (se fig. 4 og 10).

**Tilslutning af digitale indgange markeret med "H, J og K"**

(se fig. 4 og 11)

OJ GreenZone™ Master er forsynet med 6 digitale indgange.

-  **Din1** - Digital indgang 1, klemme 3 og 4 anvendes til alarmsignal fra indblæsningsventilatoren. Alarmen kan være fra et overbelastningsrelæ, en termisk overhedningssikring indbygget i ventilatoren e.l. Alarm aktiveres, når indgangen sluttes.
-  **Din2** - Digital indgang 2, klemme 4 og 5 anvendes til alarmsignal fra udsugningsventilatoren. Alarmen kan være fra et overbelastningsrelæ, en termisk overhedningssikring indbygget i ventilatoren e.l. Alarm aktiveres, når indgangen sluttes.
- **START Din3** - Digital indgang 3, klemme 6 og 7 anvendes til at skifte status på alle tilsluttede zoner. Når indgangen ("Din3") er åben, er alle zoner i standby-tilstand, hvilket betyder,

at alle VAV-spjæld er lukket, og zonerne er tvangsstoppet. Indgangen kan anvendes, hvis det er hovedanlægget, som skal frigive driften til zonerne. Elektrisk forbindelse, se fig. 22.

Hvis hovedanlægget skal startes af den første aktive zone, f.eks. detekterer af en PIR-sensor, skal indgangen ("Din3") være åben. Elektrisk forbindelse, se fig. 23.

- **FIRE Din4** - Digital indgang 4, klemme 7 og 8 anvendes til at stoppe hovedanlægget med i tilfælde af brandfare. Alarmen kan være fra et centralt brandalarmeringsanlæg, en brandtermostat, en mekanisk røgmelder e.l. Alarm aktiveres, når indgangen brydes. Anlæggets driftstilstand ved brand indstilles af installatøren fra webbrugerfladen og kan indstilles til maks. luftmængde og fuldt åbne VAV-spjæld eller ingen luftmængde og helt lukkede VAV-spjæld og stoppet hovedanlæg (se yderligere oplysninger i installatørvejledningen).
- **MAX Din5** - Digital indgang 5, klemme 9 og 10 anvendes til tvangsåbning af alle tilsluttede VAV-zonespjæld til maks. luftmængde, når indgangen sluttes (se yderligere oplysninger i installatørvejledningen).
- **MIN Din6** - Digital indgang 6, klemme 10 og 11 anvendes til tvangslukning af alle tilsluttede VAV-zonespjæld til min. luftmængde, når indgangen sluttes (se yderligere oplysninger i installatørvejledningen).

**Tilslutning af følerindgange markeret med "L"** (se fig. 4 og 12)

OJ GreenZone™ Master er forsynet med 2 PT1000-følerindgange til tilslutning af temperaturføler i kølevandskreds/buffertank til varmepumpe og en udetemperaturføler. Følerne er standard PT1000-følere, f.eks. af typen ETF-x98 fra OJ Electronics. Temperaturføleren, som måler vandtemperaturen, tilsluttes klemme 12 og 13. Føleren kan enten være en type, som måler overfladetemperaturen på kølevandsledningen eller er beregnet til montage i dyrkrø.

Temperaturføleren, som måler udetemperaturen, tilsluttes klemme 13 og 14.

*OBS!*

*Bemærk, at klemme nummer 15 ingen funktion har!*

**Tilslutning af TCP/IP BMS-stikforbindelse markeret med "N"**

(se fig. 4, 14 og 17)

OJ GreenZone™ Master er forsynet med et standard RJ45-stik (se fig. 17) for tilslutning til et TCP/IP-netværk eller direkte til et BMS-system, se fig. 14 samt punkt "Kommunikationsprotokol" i denne instruktion.

Stikket TCP/IP BMS anvendes ligeledes til adgang til den indbyggede webserver.

**Tilslutning af Modbus AHU-stikforbindelse markeret med "N"**

(se fig. 4, 14 og 17)

OJ GreenZone™ Master er forsynet med et standard RJ12-stik (se klemmebelægning i fig. 24) til tilslutning til et ventilationsanlæg (se fig. 17). Kommunikationsprotokollen er Modbus RS485 (se fig. 14, 25, 26 samt installatørvejledningen vedr. dette produkt).

**Tilslutning af CASCADE OUT-stikforbindelse markeret med "N"**

(se fig. 4, 14 og 17)

OJ GreenZone™ Master er forsynet med et standard RJ12-stik (se klemmebelægning i fig. 24) til sammenkobling af op til 5 OJ GreenZone™ Mastere i et fuldt udbygget OJ GreenZone™-system. OJ GreenZone™ Master kobles sammen i kaskade som vist i fig. 16. Den første OJ GreenZone™ Master er systemets MASTER 1, som er den OJ GreenZone™ Master, hvor "Cascade Out" er ubenyttet.

**Tilslutning af CASCADE IN-stikforbindelse markeret med "P"**

(se fig. 4, 14, 15 og 16)

Se ovenstående pkt. "CASCADE OUT" (se klemmebelægning i fig. 8).

**Tilslutning af Modbus Out1 og Modbus Out2-stikforbindelse markeret med "P"**

(se fig. 4, 15 og 17)

OJ GreenZone™ Master er forsynet med 2 standard RJ12-stik (se klemmebelægning i fig. 8) til tilslutning og sammenkobling af OJ GreenZone™ Moduler i et udbygget OJ GreenZone™-system. Der kan maks. tilsluttes 25 OJ GreenZone™ Moduler til én OJ GreenZone™ Master. Se fig. 18. OJ GreenZone™ Moduler tilsluttes i serie (Daisy chain), og antallet af OJ GreenZone™ Moduler på hvert af de 2 stik "Modbus Out1" og "Modbus Out2" er valgfri, hvis blot det maksimale antal på 25 stk. OJ GreenZone™ Moduler ikke overskrides.

Er der behov for flere OJ GreenZone™ Moduler i samme system, skal der installeres én OJ GreenZone™ Master pr. 25 OJ GreenZone™ Moduler. Se fig. 16.

**Beskyttelse mod over-/undertryk i kanaler**

Trykket i kanalsystemet kan begrænses/reguleres ved at installere en PTH-3202 Tryktransmitter i hhv. fraluftskanal og indblæsningskanal; se fig. 30 og 31.

Tryktransmitter P1 tilsluttes fraluftkanalen med en slange tilsluttet - studs (måler overtryk). + studs skal ikke forbindes.

Tryktransmitter P2 tilsluttes tilluftkanalen med en slange tilsluttet + studs (måler overtryk). - studs skal ikke forbindes.

**Konstant tryk i kanal (Zonemodul-A)**

Hvis zone systemet er opbygget med Zonemodul-A skal kanaltrykket altid være reguleret til konstant tryk. Enten af ventilationsaggregatet eller ved at tilslutte Tryktransmitter P1 og P2 til Zonemasteren som beskrevet herover.

**Indbygget SD-kortlæser markeret med "M"**

OJ GreenZone™ Master har en indbygget SD-kortlæser, som supporterer standard SDHC på maks. 8 GB (se fig. 4 og 13).

Kortlæseren anvendes til opdatering af OJ GreenZone™ Master-software samt til datalogning. Datalogfiler kan indsendes til diagnosticering hos OJ Electronics A/S efter forudgående aftale med en supportmedarbejder hos OJ Electronics A/S. Kontakt supportafdelingen på support@oj.dk.

*OBS! SD-kort indsættes i kortlæseren med kontaktfladerne fremad.*

**Sikring af data i OJ GreenZone™ Master**

Ved kommunikationsfejl og/eller afbrydelse af spændingsforsyningen til OJ GreenZone™ Master vil alle data blive gemt. Ved genetablering af kommunikation og/eller spændingsforsyning fungerer og starter OJ GreenZone™ Master igen op i normal drift.

**TEKNISKE DATA**

Forsyningsspænding . . . . .	24 VAC +/-10 % (se fig. 10)
Egetforbrug, tomgangsforbrug . . . . .	≤ 5 VA
TCP/IP-tilslutninger . . . . .	1 x RJ45-stik (8P8C)
Modbus-tilslutninger . . . . .	.5 x RJ12-stik (6P6C)
Modbus-kommunikation . . . . .	RS-485, 38,4 kBAud
Modbus-adresse, OJ Zone Master . . . . .	.Fabriksindstillet 192.168.1.101
Digitale indgange . . . . .	6 x pull-up
Digitale udgange . . . . .	2 x potentialfri (maks. 230 VAC 5A)
. . . . .	3 x potentialfri (maks. 30 VAC 5A)
Følerindgange . . . . .	2 x PT1000
Opløsning, temperatur. . . . .	0,01 °C
Spændingsudgange . . . . .	3 x 0-10 VDC
Kapslingsklasse . . . . .	IP20
Dimensioner . . . . .	(se fig. 2 og 3)
Vægt . . . . .	430 g



**Konfigurering af OJ GreenZone™ Master**

Konfigurering af OJ GreenZone™ Master og de tilsluttede OJ GreenZone™ Moduler foretages vha. den indbyggede webserver. Vedr. webserver, se Installatørvejledning.  
Hent aktuel Installatørvejledning på [www.ojelectronics.com](http://www.ojelectronics.com).

**KOMMUNIKATIONSPROTOKOLLER****BACnet, TCP/IP til BMS**

OJ GreenZone™ Master supporterer BACnet til TCP/IP-kommunikation til BMS-system. BACnet TCP/IP tilsluttes stikket markeret med TCP/IP BMS (se fig. 14).  
Hent aktuel BACnet-protokol på [www.ojelectronics.com](http://www.ojelectronics.com).

**Modbus, TCP/IP til BMS**

OJ GreenZone™ Master supporterer Modbus til TCP/IP-kommunikation til BMS-system. Modbus TCP/IP tilsluttes stikket markeret med TCP/IP BMS (se fig. 14).  
Hent aktuel Modbus-protokol på [www.ojelectronics.com](http://www.ojelectronics.com).

**TCP/IP**

OJ GreenZone™ Master anvender følgende standardparametre til TCP/IP-netværk:

IP-adresse:	192.168.1.101
Netmaske:	255.255.255.0
Gateway:	192.168.1.1
DNS:	192.168.1.1
Alternativ DNS:	0.0.0.0

OJ GreenZone™ Master supporterer "IPconfig". IPconfig er et PC-baseret hjælpeprogram til indstilling og udlæsning af TCP/IP-netværksindstillinger på enheder tilsluttet et LAN-netværk. IPconfig kan scanne et LAN-netværk for tilsluttede enheder, og brugeren kan indstille kommunikationsparametre i de enkelte enheder som f.eks. IP adresse, Netmaske, Gateway, DNS og hostnavn for hver enkelt enhed.  
Med IPconfig kan OJ GreenZone™ Masterens IP-adresse udlæses og konfigureres. Kun TCP/IP-enheder, der understøtter IPconfig, kan scannes med IPconfig.  
IPconfig kan downloades fra [www.ojelectronics.com](http://www.ojelectronics.com).

**KNX Router Interface til Zone-komponenter**

OJ GreenZone™ Master supporterer kommunikation med "KNX IP BAOS 772" KNX-router (Fabrikat Weinzierl) gennem ObjectServer interface (se fig. 20 og 21).  
Hent aktuel KNX-protokol på [www.ojelectronics.com](http://www.ojelectronics.com).

**SERVICE OG VEDLIGEHOLD**

OJ GreenZone™ Master indeholder ingen komponenter, der kræver service eller vedligehold.  
Kontakt venligst leverandøren i tilfælde af problemer.

**MILJØ OG BORTSKAFFELSE**

Hjælp med at beskytte miljøet ved at bortskaffe emballage og brugte produkter på en miljørigtig måde.

**Bortskaffelse af produktet**

Produkter med dette mærke må ikke bortskaffes som almindeligt husholdningsaffald, men skal indsamles særskilt i henhold til gældende lokale regler.

**OJ ELECTRONICS A/S**

Stenager 13B · DK-6400 Sønderborg  
Tel. +45 73 12 13 14 · Fax +45 73 12 13 13  
[oj@ojelectronics.com](mailto:oj@ojelectronics.com) · [www.ojelectronics.com](http://www.ojelectronics.com)

**CE-MÆRKNING**

2004/108/EF EMC-DIREKTIV  
Europa-Parlamentets og Rådets Direktiv 2004/108/EF af 15. december 2004 om indbyrdes tilnærmelse af medlemsstaternes lovgivning om elektromagnetisk kompatibilitet og om ophævelse af direktiv 89/336/EØF.

2006/95/EF LAVSPÆNDINGS-DIREKTIVET  
Europa-parlamentets og Rådets direktiv 2006/95/EF af 12. december 2006 om tilnærmelse af medlemsstaternes lovgivning om elektrisk materiel bestemt til anvendelse inden for visse spændingsgrænser.


**Benyttede standarder**

EN 60730-1 2000 / Automatiske elektriske styringer til husholdningsbrug o.l.  
Del 1: Generelle krav

## FEJLFINDING

Symptom	Årsag	Handling
Intet virker på OJ GreenZone™ Master	Ingen spændingsforsyning	Kontrollér, at der er spænding (24 VAC) på klemme 1 og 2.
	Defekt OJ GreenZone™ Master	Udskift OJ GreenZone™ Master.
Kan ikke logge på webserver i OJ GreenZone™ Master via direkte LAN-forbindelse.	LAN-kabel forkert tilsluttet	Kontrollér, at LAN-kablet er tilsluttet korrekt i begge ender.
	Defekt LAN-kabel	Udskift LAN-kabel.
	Forkert IP-adresse	Kontrollér den indstillede statiske IP-adresse i OJ GreenZone™ Master. IP-adressen er fra fabrik præ-konfigureret til "Statisk" IP-adresse 192.168.1.101.
		Kontrollér den indstillede statiske IP-adresse på netkort i PC. IP-adressen på PC'en skal være forskellig fra ovenstående IP-adresse. Indstil IP-adressen på PC'ens netkort til f.eks. 192.168.1.100
		Indtast den rigtige IP-adresse i webbrowseren: 192.168.1.101.
Defekt netkort i PC	Prøv med en anden PC.	
Defekt OJ GreenZone™ Master	Udskift OJ GreenZone™ Master.	
Hovedanlægget starter ikke, selvom der er driftssignal fra mindst én zone – hovedanlægget er tilsluttet via Modbus	Modbus-kabel forkert tilsluttet	Kontrollér, at Modbus-kablet er tilsluttet korrekt i begge ender.
	Defekt Modbus-kabel	Udskift Modbus-kabel.
	Forkert opsætning af Modbus-kommunikation	Kontrollér opsætning af Modbus-kommunikation og Modbus-adresser – se Installatorvejledning.
Kan ikke logge på webserver i OJ GreenZone™ Master via Router/DHCP LAN-forbindelse	IP-adressen i OJ GreenZone™ Master er indstillet til "Statisk"	Indstil IP-adressen til "DHCP" ved hjælp af den indbyggede webserver eller ved at bruge hjælpeprogrammet IPconfig.
	LAN-kabler forkert tilsluttet	Kontrollér alle LAN-kabeltilslutninger i router, PC og OJ GreenZone™ Master.
	IP-adressen i PC-netkortet er indstillet til "Statisk"	Indstil IP-adressen til "Hent automatisk en IP-adresse".
	Forkert IP-adresse i adresselinje	Indtast den rigtige IP-adresse i webbrowseren: 192.168.1.101.
	Defekt netkort i PC	Prøv med en anden PC.
	Defekt OJ GreenZone™ Master	Udskift OJ GreenZone™ Master.
Kan ikke logge på webserver i OJ GreenZone™ Master via smartphone	Der er slukket for Wi-Fi-routeren	Tænd for Wi-Fi-routeren.
	Smartphone er ikke forbundet til Wi-Fi-netværk	Start en søgning efter tilgængelige netværk i din smartphone. Tilslut smartphonen til det samme netværk, som OJ GreenZone™ Masteren er tilsluttet.
	Forkert IP-adresse i adresselinje	Start en webbrowser i din smartphone og indtast den rigtige IP-adresse i webbrowseren. OJ GreenZone™ Masterens IP-adresse udlæses ved at bruge hjælpeprogrammet IPconfig.
Der mangler ét eller flere OJ GreenZone™ Moduler i webserveren	Manglende spændingsforsyning til ét eller flere OJ GreenZone™ Moduler	Kontrollér spændingsforsyning til OJ GreenZone™ Moduler. Se tilslutning af spændingsforsyning til OJ GreenZone™ Module i instruktionen til OJ GreenZone™ Module fig. 8 og 9.

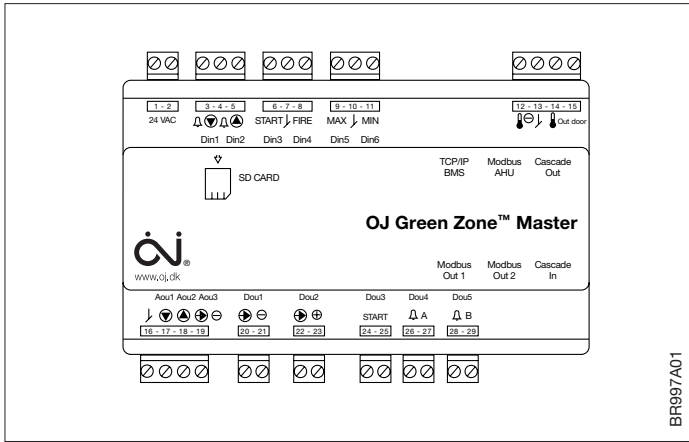
Symptom	Årsag	Handling
	Fejl i Modbus-kabelforbindelsen mellem OJ GreenZone™ Master og OJ GreenZone™ Moduler eller mellem OJ GreenZone™ Moduler.	Kontrollér Modbus-kabelforbindelsen mellem OJ GreenZone™ Master og OJ GreenZone™ Moduler samt mellem OJ GreenZone™ Moduler.
	Defekt OJ GreenZone™ Module	Udskift OJ GreenZone™ Module.
	Defekt OJ GreenZone™ Master	Udskift OJ GreenZone™ Master.
Der kommer ingen alarm, når digital indgang 1 aktiveres. <i>Funktion: Indgangen detekterer alarm fra indblæsningsventilatoren</i>	Fejl i elektrisk forbindelse	Kontrollér elektrisk forbindelse. Se fig. 11. Alarmen aktiveres, når indgangen sluttes (On).
Der kommer ingen alarm, når digital indgang 2 aktiveres. <i>Funktion: Indgangen detekterer alarm fra udsugningsventilatoren</i>	Fejl i elektrisk forbindelse	Kontrollér elektrisk forbindelse. Se fig. 11. Alarmen aktiveres, når indgangen sluttes (On).
Zonerne forbliver i standby, når digital indgang 3 sluttes	Fejl i elektrisk forbindelse	Kontrollér elektrisk forbindelse. Se fig. 11. Systemet aktiveres, når indgangen sluttes (On).
	Manglende spændingsforsyning til ét eller flere OJ GreenZone™ Moduler	Kontrollér spændingsforsyning til OJ GreenZone™ Moduler. Se tilslutning af spændingsforsyning til OJ GreenZone™ Module i instruktionen til OJ GreenZone™ Module fig. 8 og 9.
	Fejl i Modbus-kabelforbindelsen mellem OJ GreenZone™ Master og OJ GreenZone™ Moduler eller mellem OJ GreenZone™ Moduler.	Kontrollér Modbus-kabelforbindelsen mellem OJ GreenZone™ Master og OJ GreenZone™ Moduler samt mellem OJ GreenZone™ Moduler.
	Defekt OJ GreenZone™ Module	Udskift OJ GreenZone™ Module.
	Defekt OJ GreenZone™ Master	Udskift OJ GreenZone™ Master.
OJ GreenZone™ Master reagerer ikke på brandalarmindgangen "FIRE"	Fejl i elektrisk forbindelse	Kontrollér elektrisk forbindelse. Se fig. 11. Alarmen aktiveres, når indgangen brydes (Off).
	Manglende spændingsforsyning til ét eller flere OJ GreenZone™ Moduler	Kontrollér spændingsforsyning til OJ GreenZone™ Moduler. Se tilslutning af spændingsforsyning til OJ GreenZone™ Module i instruktionen til OJ GreenZone™ Module fig. 8 og 9.
	Fejl i Modbus-kabelforbindelsen mellem OJ GreenZone™ Master og OJ GreenZone™ Moduler eller mellem OJ GreenZone™ Moduler.	Kontrollér Modbus-kabelforbindelsen mellem OJ GreenZone™ Master og OJ GreenZone™ Moduler samt mellem OJ GreenZone™ Moduler.
	Defekt OJ GreenZone™ Module	Udskift OJ GreenZone™ Module.
	Defekt OJ GreenZone™ Master	Udskift OJ GreenZone™ Master.

Symptom	Årsag	Handling
OJ GreenZone™ Master reagerer ikke på indgangen "MAX"	Fejl i elektrisk forbindelse	Kontrollér elektrisk forbindelse. Se fig. 11. Funktionen aktiveres, når indgangen slutes (On).
	Manglende spændingsforsyning til ét eller flere OJ GreenZone™ Moduler	Kontrollér spændingsforsyning til OJ GreenZone™ Moduler. Se tilslutning af spændingsforsyning til OJ GreenZone™ Module i instruktionen til OJ GreenZone™ Module fig. 8 og 9.
	Fejl i Modbus-kabelforbindelsen mellem OJ GreenZone™ Master og OJ GreenZone™ Moduler eller mellem OJ GreenZone™ Moduler.	Kontrollér Modbus-kabelforbindelsen mellem OJ GreenZone™ Master og OJ GreenZone™ Moduler samt mellem OJ GreenZone™ Moduler.
	Defekt OJ GreenZone™ Module	Udskift OJ GreenZone™ Module.
	Defekt OJ GreenZone™ Master	Udskift OJ GreenZone™ Master.
OJ GreenZone™ Master reagerer ikke på indgangen "MIN"	Fejl i elektrisk forbindelse	Kontrollér elektrisk forbindelse. Se fig. 11. Funktionen aktiveres, når indgangen slutes (On).
	Manglende spændingsforsyning til ét eller flere OJ GreenZone™ Moduler	Kontrollér spændingsforsyning til OJ GreenZone™ Moduler. Se tilslutning af spændingsforsyning til OJ GreenZone™ Module i instruktionen til OJ GreenZone™ Module fig. 8 og 9.
	Fejl i Modbus-kabelforbindelsen mellem OJ GreenZone™ Master og OJ GreenZone™ Moduler eller mellem OJ GreenZone™ Moduler.	Kontrollér Modbus-kabelforbindelsen mellem OJ GreenZone™ Master og OJ GreenZone™ Moduler samt mellem OJ GreenZone™ Moduler.
	Defekt OJ GreenZone™ Module	Udskift OJ GreenZone™ Module.
	Defekt OJ GreenZone™ Master	Udskift OJ GreenZone™ Master.
Følere viser forkert værdi	Fejl i elektrisk forbindelse	Kontrollér elektrisk forbindelse. Se fig. 12.  Bemærk, klemme nr. 15 anvendes ikke og skal derfor være ubenyttet.
	Forkert følertype	Kontrollér, at føleren er af typen PT1000.
	Følere er ikke placeret rigtigt	Kontrollér følerplacering.
	Føler defekt	Foretag kontrolmåling af den tilsluttede føler. Følere skal vise en modstand på ca. 1078 Ω ved 20 °C. Udskift føler.
Indblæsningsventilatoren regulerer ikke eller kører ikke	Fejl i elektrisk forbindelse fra analog udgang 1 (Aou1)	Kontrollér elektrisk forbindelse. Se fig. 5.

Symptom	Årsag	Handling
Indblæsningsventilatoren regulerer ikke eller kører ikke	Afbrudt eller slukket spændingsforsyning til indblæsningsventilatoren eller frekvensomformereren	Kontrollér spændingsforsyning til ventilator og frekvensomformer.
	Defekt OJ GreenZone™ Master	Udskift OJ GreenZone™ Master.
Udsugningsventilatoren regulerer ikke eller kører ikke	Fejl i elektrisk forbindelse fra analog udgang 2 (Aou2)	Kontrollér elektrisk forbindelse. Se fig. 5.
	Afbrudt eller slukket spændingsforsyning til udsugningsventilatoren eller frekvensomformereren	Kontrollér spændingsforsyning til ventilator og frekvensomformer.
	Defekt OJ GreenZone™ Master	Udskift OJ GreenZone™ Master.
Cirkulationspumpen til kølevand regulerer ikke eller kører ikke	Fejl i elektrisk forbindelse fra analog udgang 3 (Aou3)	Kontrollér elektrisk forbindelse. Se fig. 5.
	Afbrudt eller slukket spændingsforsyning til cirkulationspumpen eller frekvensomformereren	Kontrollér spændingsforsyning til pumpe og frekvensomformer.
	Defekt OJ GreenZone™ Master	Udskift OJ GreenZone™ Master.
Frigivningssignal til køling (Dou1) virker ikke	Fejl i elektrisk forbindelse fra digital udgang 1 (Dou1)	Kontrollér elektrisk forbindelse. Se fig. 6.
	Afbrudt eller slukket spændingsforsyning til kølesystemet	Kontrollér spændingsforsyning til kølesystemet.
	Der er intet kølebehov	Frembring et kølebehov ved at sænke temperatursetpunktet.
	Defekt OJ GreenZone™ Master	Udskift OJ GreenZone™ Master.
Frigivningssignal til varme (Dou2) virker ikke	Fejl i elektrisk forbindelse fra digital udgang 2 (Dou2)	Kontrollér elektrisk forbindelse. Se fig. 6.
	Afbrudt eller slukket spændingsforsyning til varmesystemet	Kontrollér spændingsforsyning til varmesystemet.
	Der er intet varmebehov	Frembring et varmebehov ved at hæve temperatursetpunktet.
	Defekt OJ GreenZone™ Master	Udskift OJ GreenZone™ Master.
Startsignal (Dou3), som skal starte hovedanlægget, virker ikke	Fejl i elektrisk forbindelse fra digital udgang 3 (Dou3)	Kontrollér elektrisk forbindelse. Se fig. 7.
	Afbrudt eller slukket hovedanlæg	Kontrollér spændingsforsyning til hovedanlægget (AHU).
	Manglende driftssignal fra zonerne	Aktivér mindst én zone til drift.
	Defekt OJ GreenZone™ Master	Udskift OJ GreenZone™ Master.

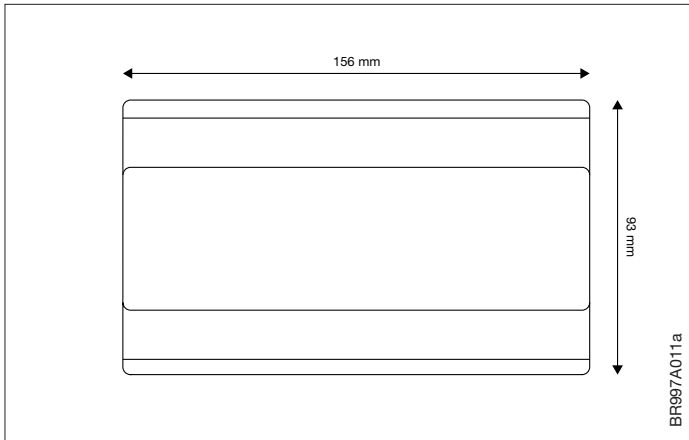
Symptom	Årsag	Handling
A-alarmer (Dou4) aktiveres ikke, selvom der er A-alarmer i systemet	Fejl i elektrisk forbindelse fra digital udgang 4 (Dou4)	Kontrollér elektrisk forbindelse. Se fig. 7.
	Defekt OJ GreenZone™ Master	Udskift OJ GreenZone™ Master.
B-alarmer (Dou5) aktiveres ikke, selvom der er B-alarmer i systemet	Fejl i elektrisk forbindelse fra digital udgang 5 (Dou5)	Kontrollér elektrisk forbindelse. Se fig. 7.
	Defekt OJ GreenZone™ Master	Udskift OJ GreenZone™ Master.

Fig. 1 - OJ GreenZone™ Master



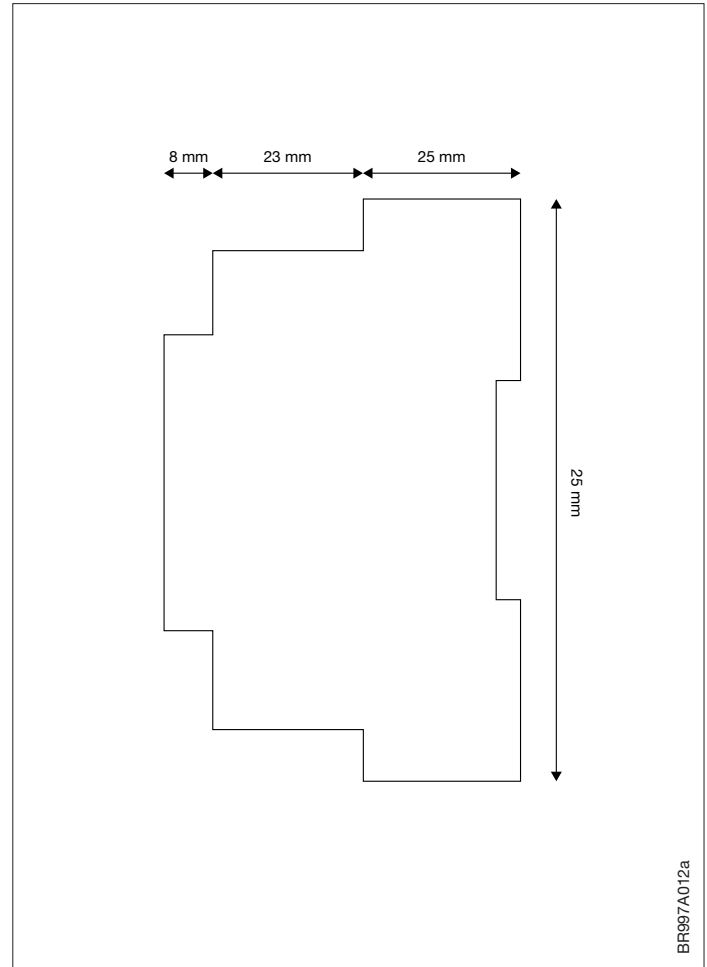
BR997A01

Fig. 2 - Dimensions, front view



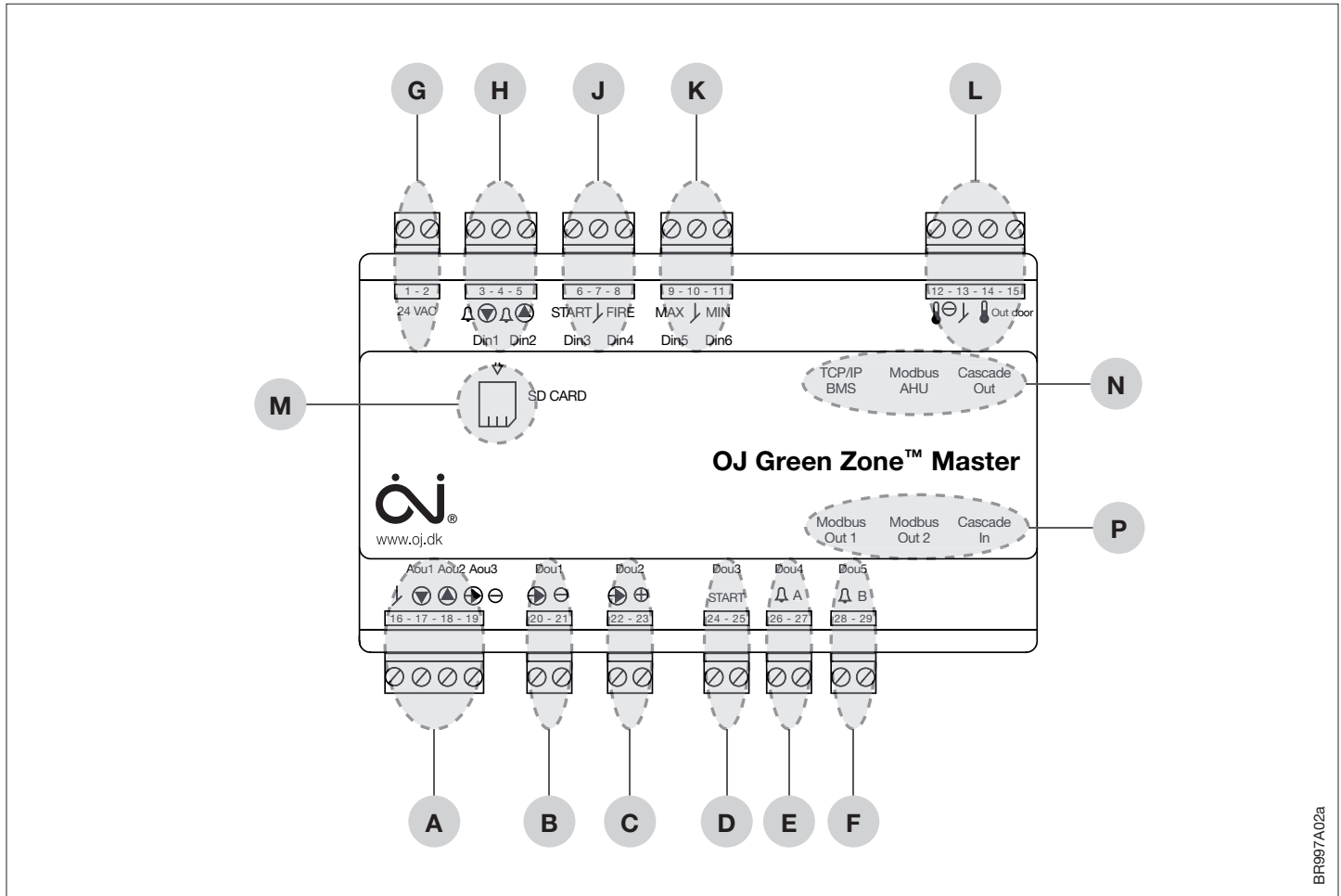
BR997A011a

Fig. 3 - Dimensions, side view



BR997A012a

Fig. 4 - Overview of connectors in OJ GreenZone™ Master



BR997A02a



Fig. 5 - Analogue outputs, 0-10 VDC

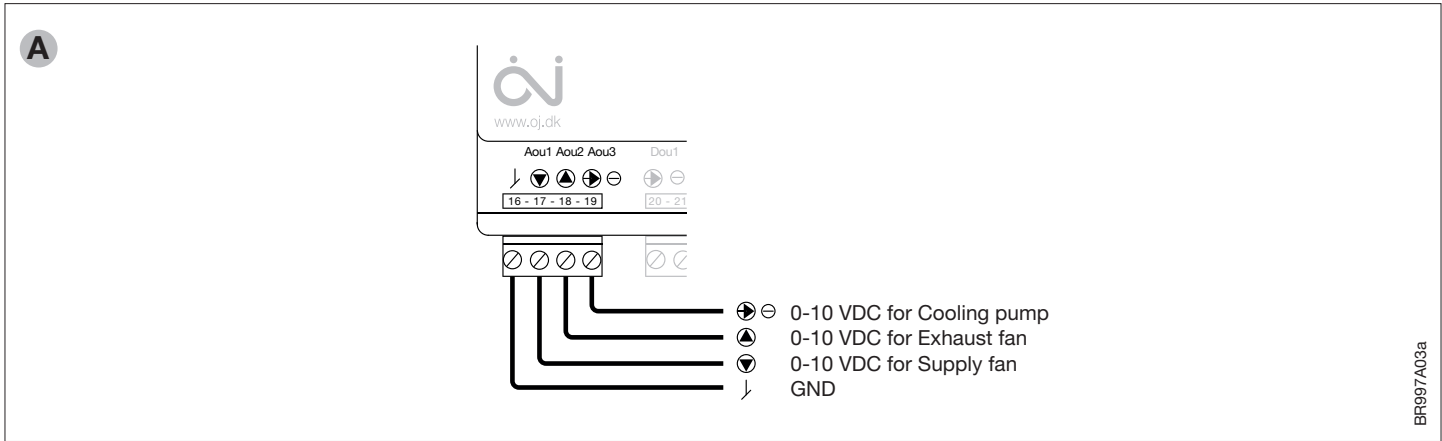


Fig. 6 - Digital outputs (Dou1 and Dou2)

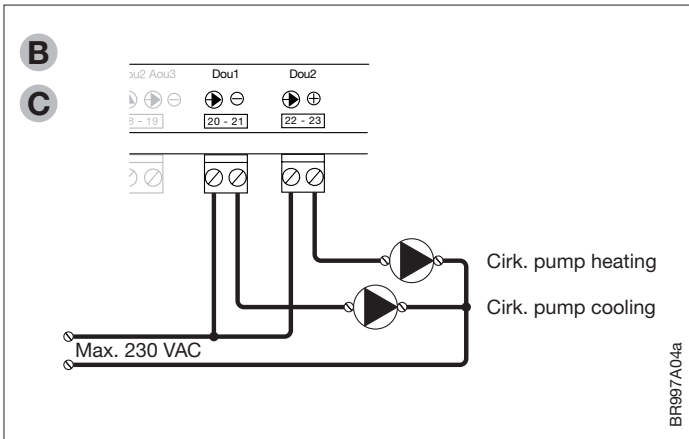


Fig. 7 - Digital outputs (Dou3, Dou4 and Dou5)

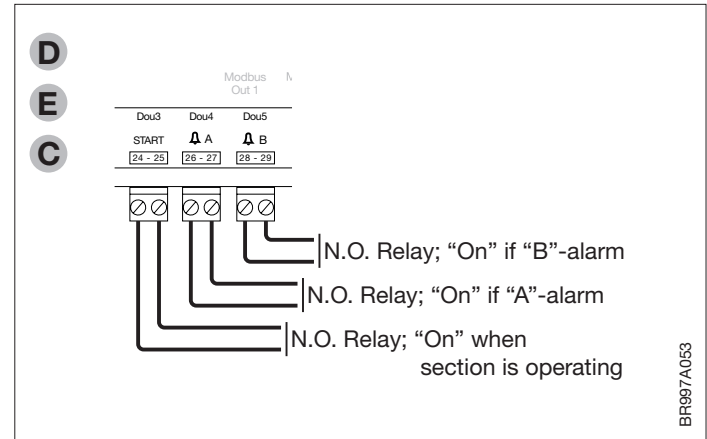


Fig. 8 - RJ12 Modbus connector: Modbus Out1, Modbus Out2 and Cascade In

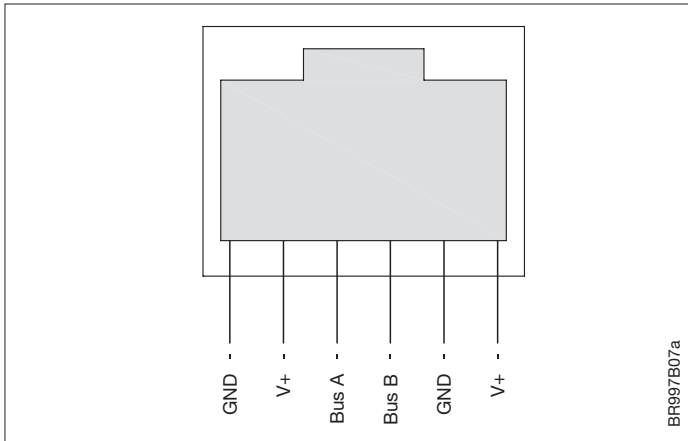


Fig. 9 - Modbus cable connection

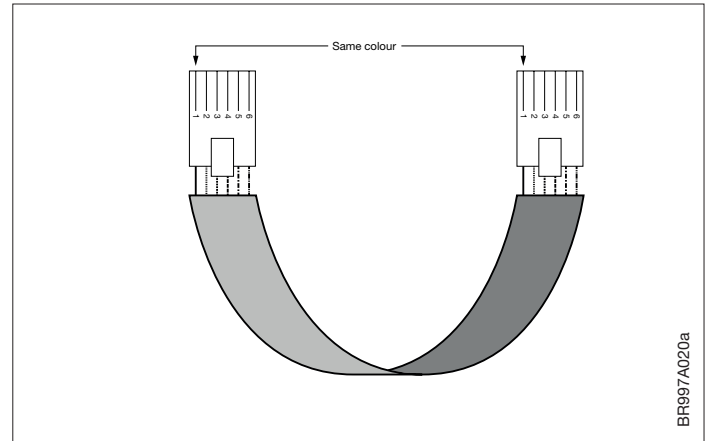


Fig. 10 - Connecting the power supply

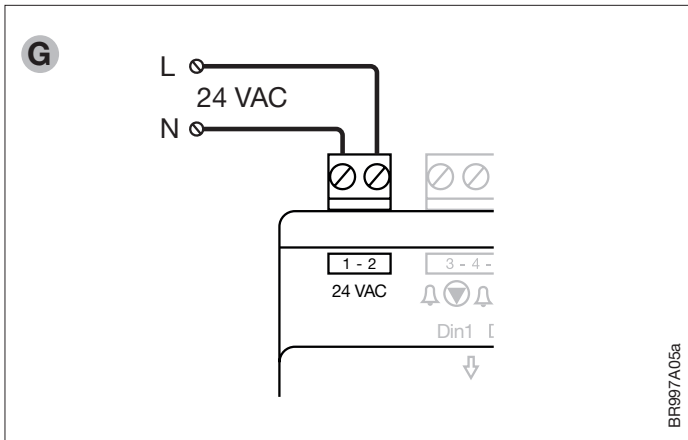


Fig. 11 - Digital inputs (Din1...Din6)

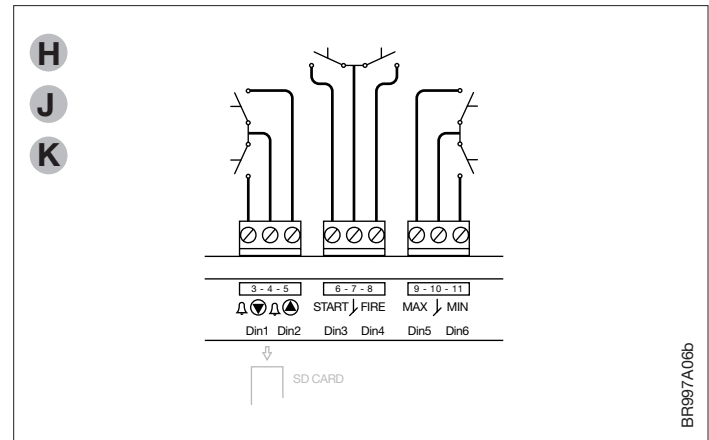


Fig. 12 - Connecting PT1000 sensors

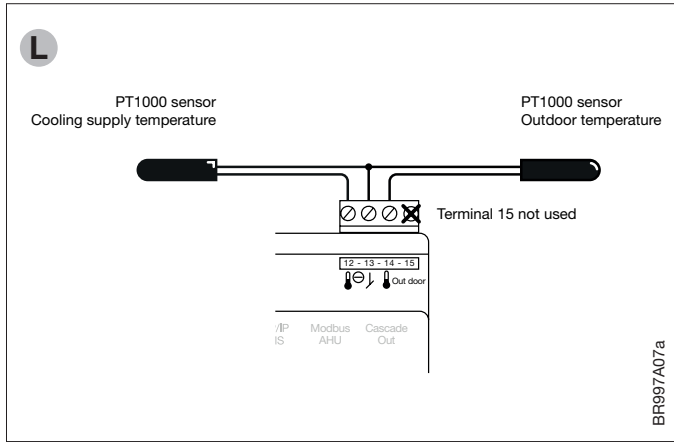


Fig. 13 - SD card reader

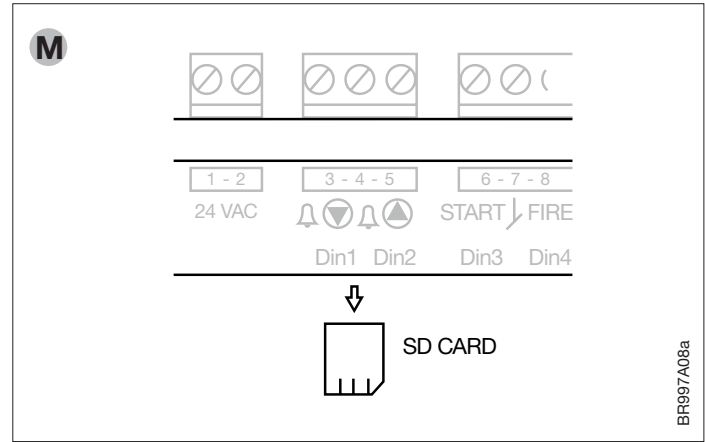


Fig. 14 - TCP/IP BMS, Modbus AHU, Cascade Out

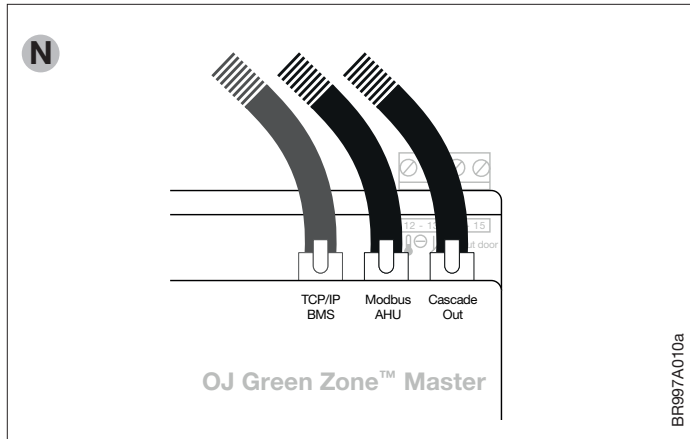


Fig. 15 - Modbus Out1, Modbus Out2, Cascade In

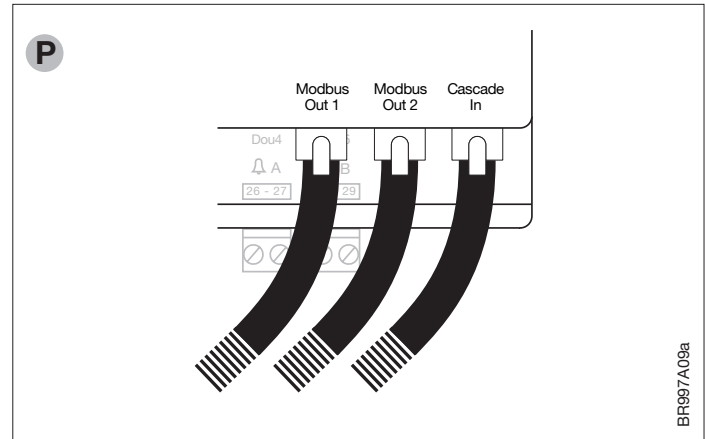
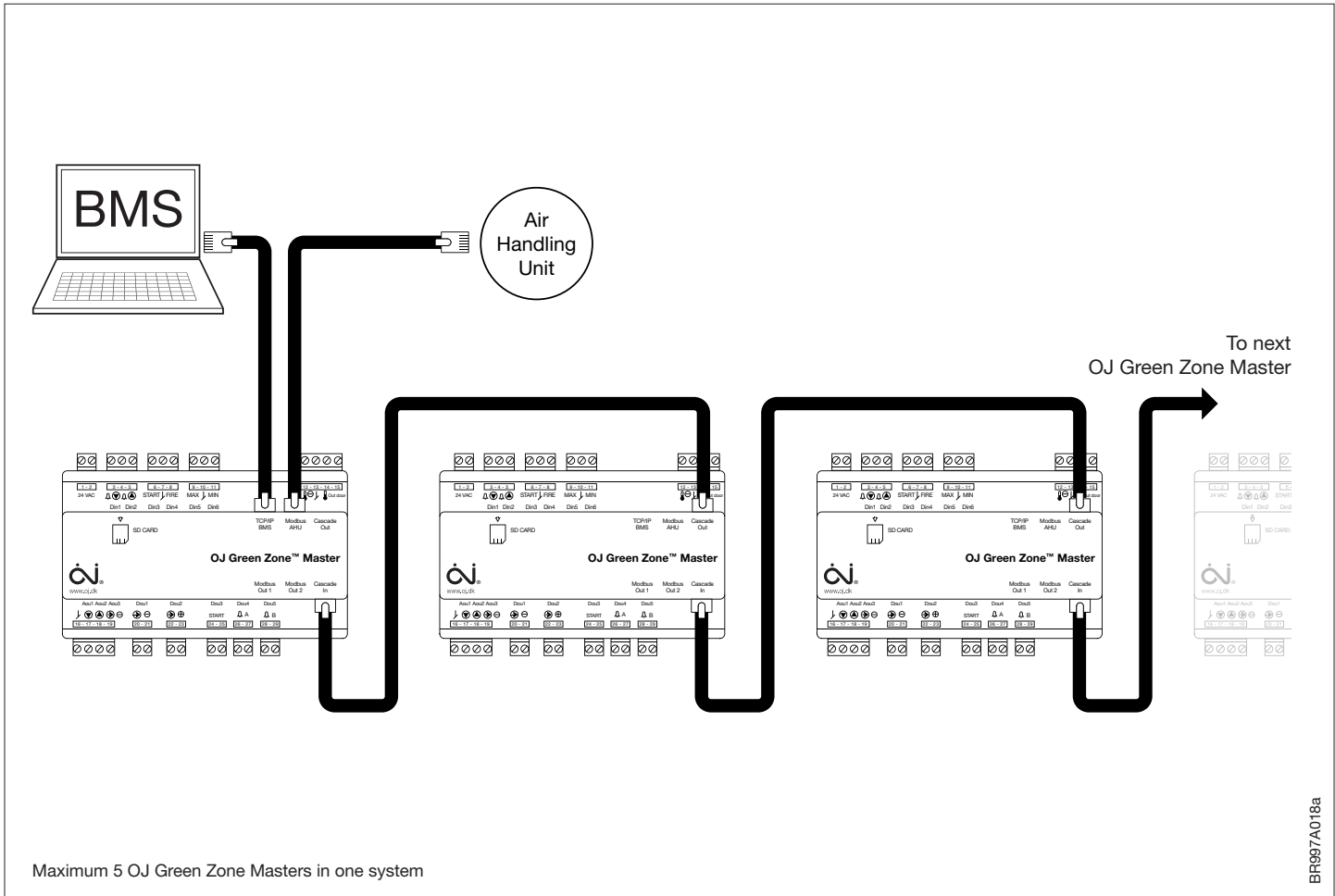
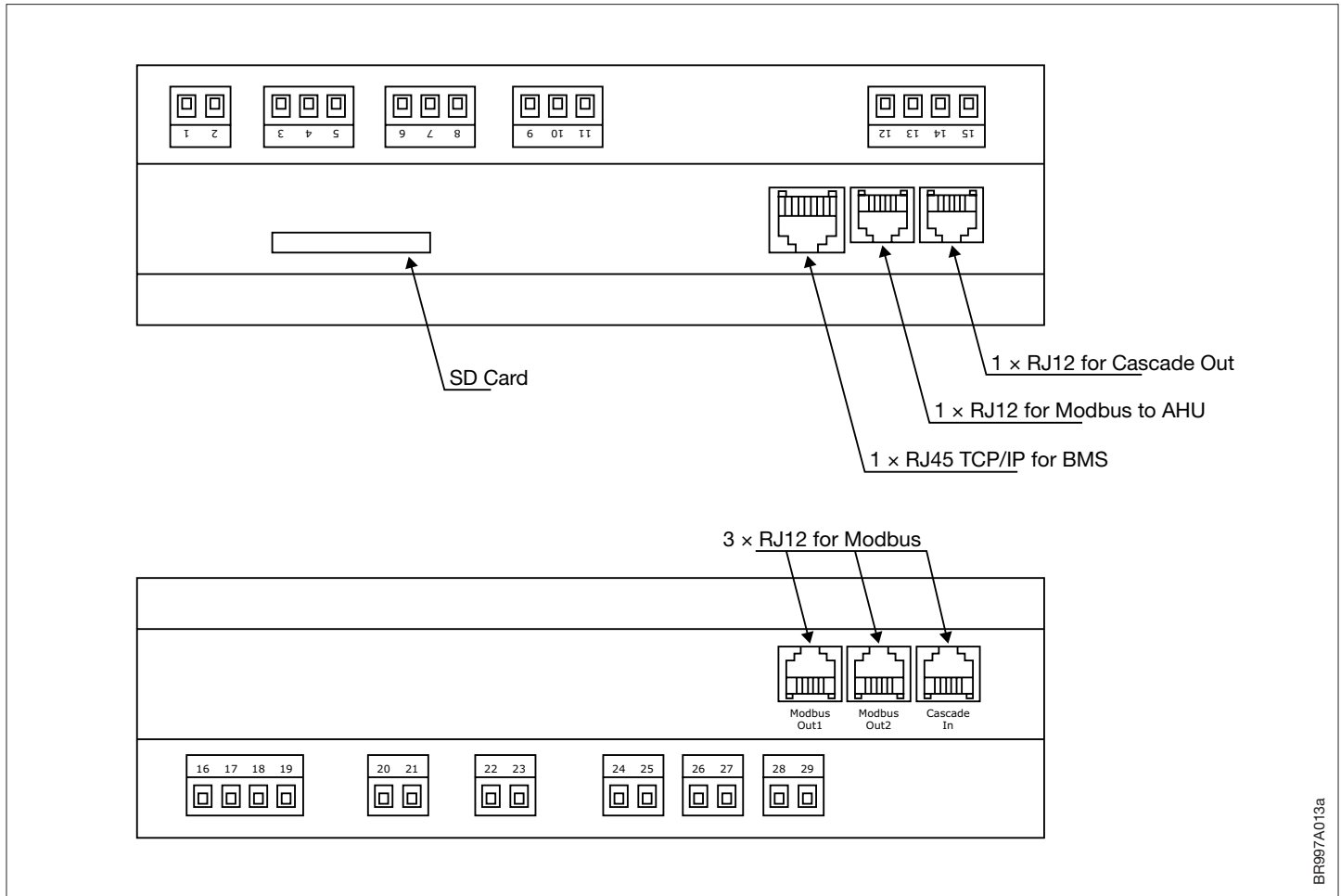


Fig. 16 - Electrical Modbus cascade configuration



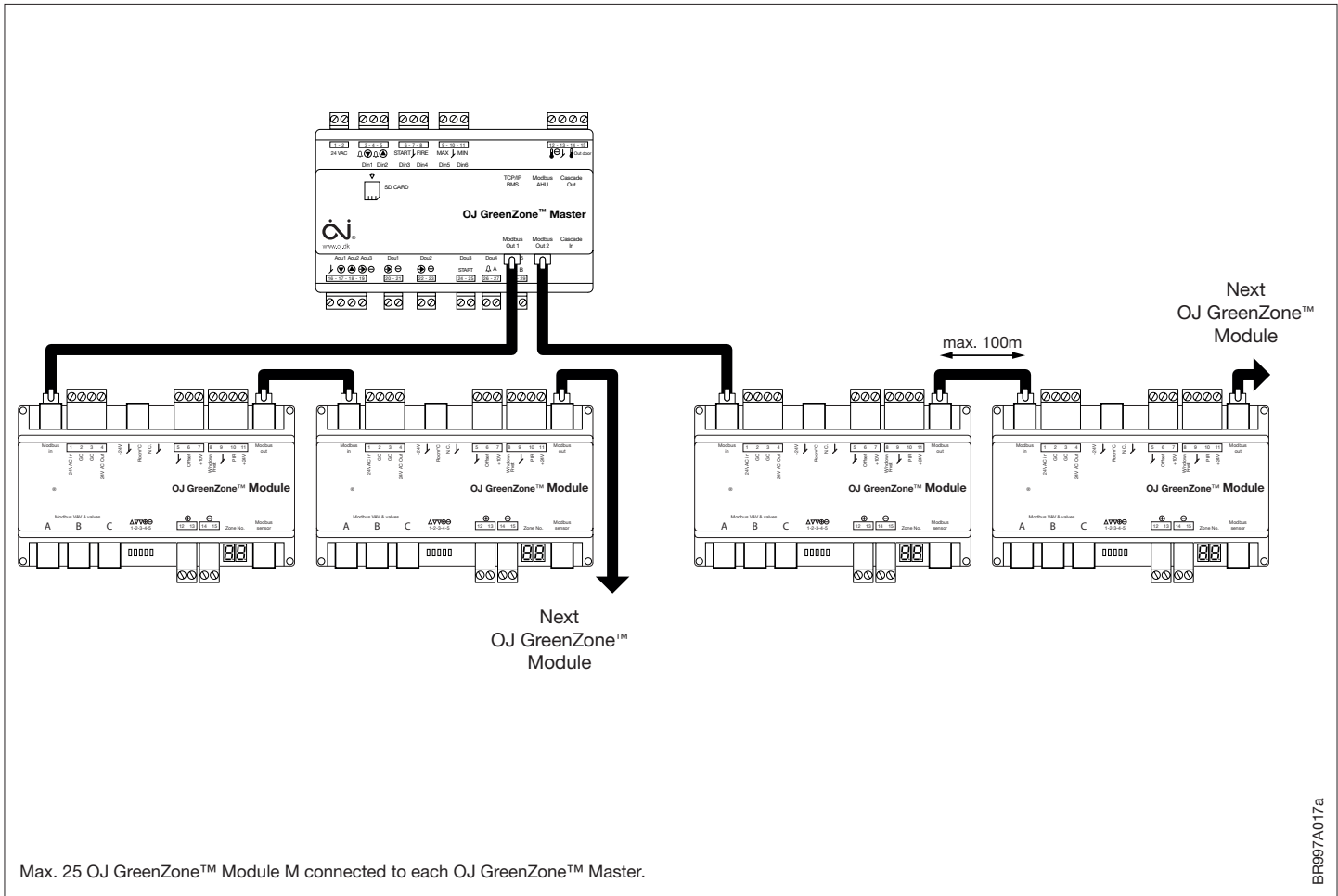
BR997A018a

Fig. 17 - Connector position overview



BR997A013a

Fig. 18 - Connecting OJ GreenZone™ Modules



Max. 25 OJ GreenZone™ Module M connected to each OJ GreenZone™ Master.

BR997A017a

Fig. 19 - Configuration overview

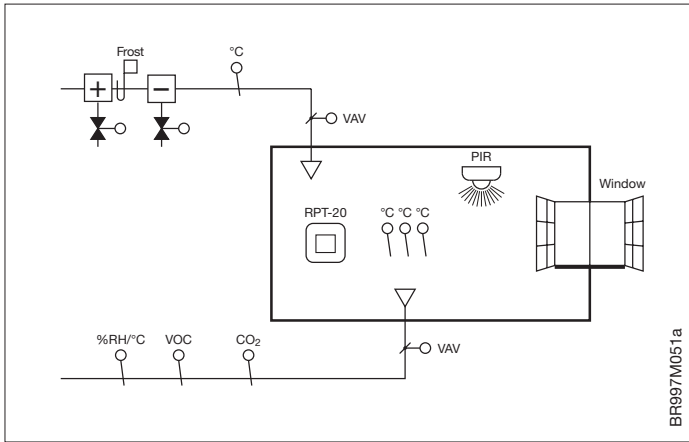


Fig. 20 - Communication configuration

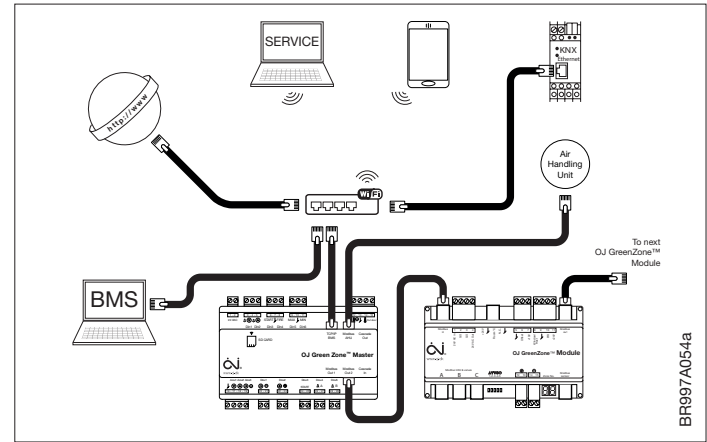


Fig. 21 - KNX configuration

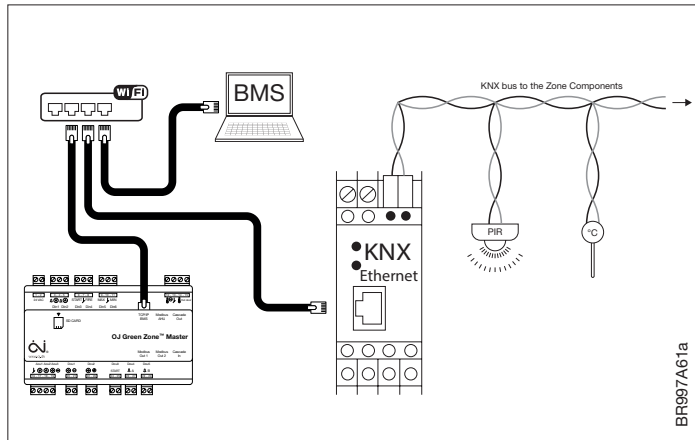


Fig. 22 - Electrical connection when the AHU enables the zones

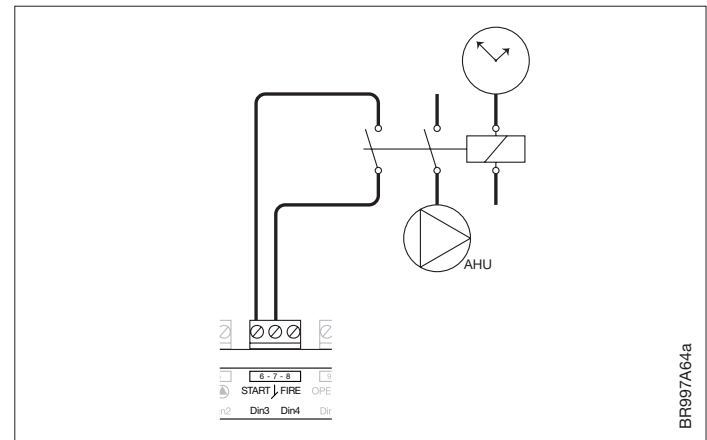


Fig. 23 - Electrical connections for Start dependency

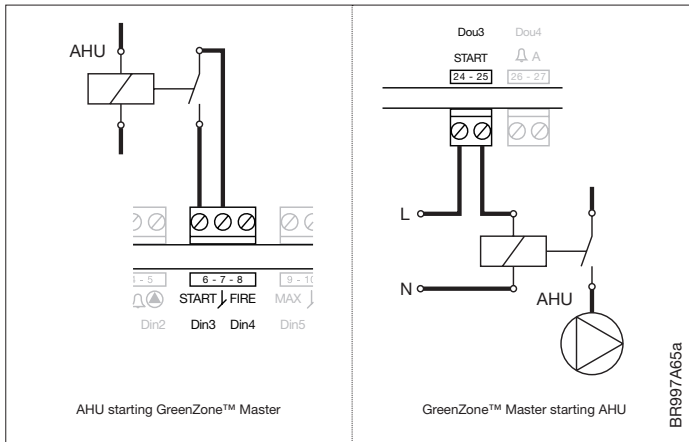


Fig. 24 - RJ12 Modbus connector: Modbus AHU and Cascade Out

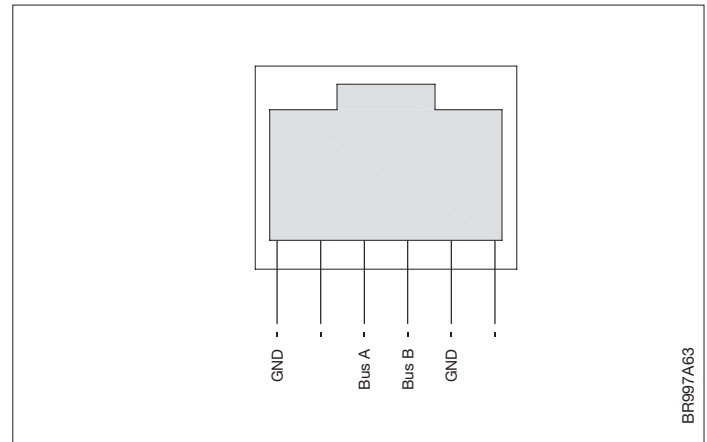


Fig. 25 - Modbus connection to OJ-Air2 Master

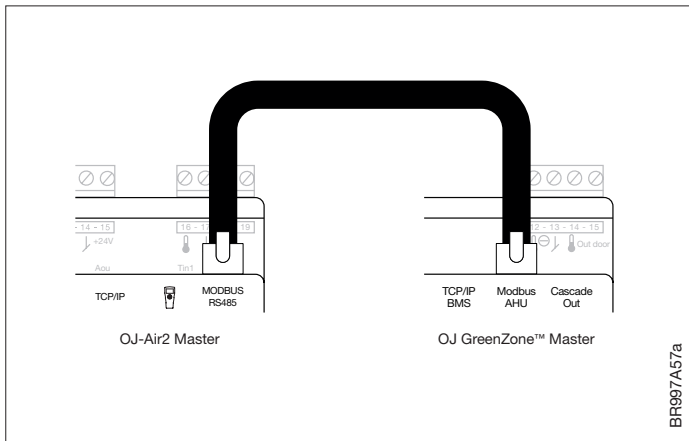


Fig. 26 - Modbus connection to third party AHU

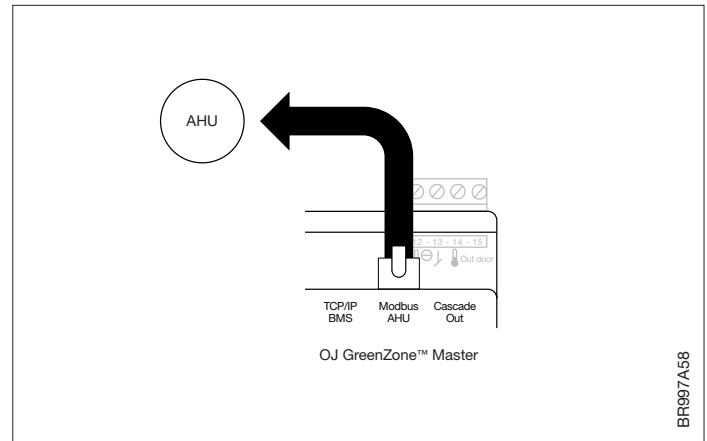




Fig. 27 - Configuration - Demand Controlled Ventilation

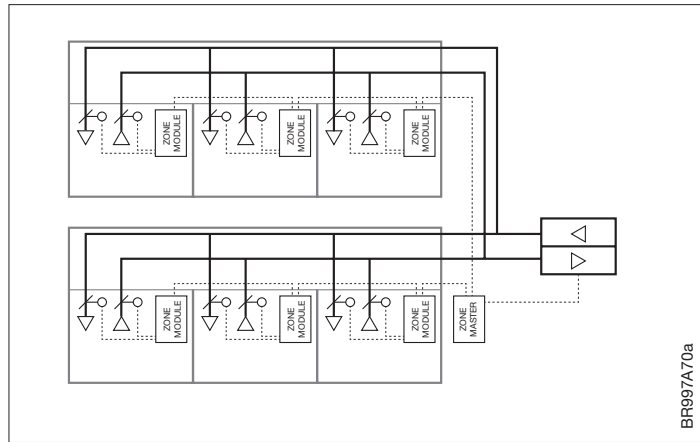


Fig. 29 - Configuration - Branch VAV

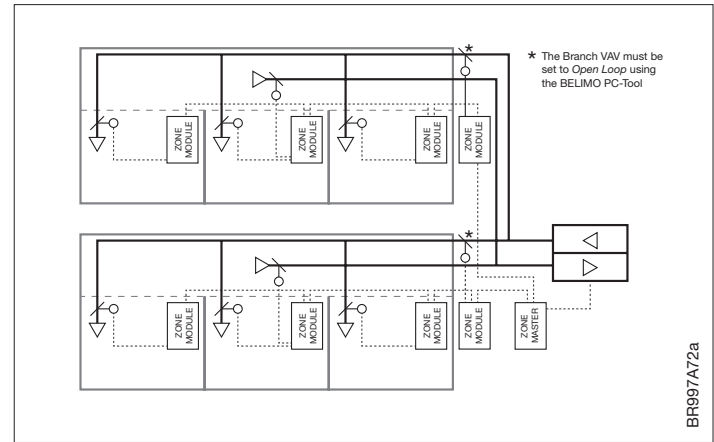


Fig. 28 - Configuration - Common extract

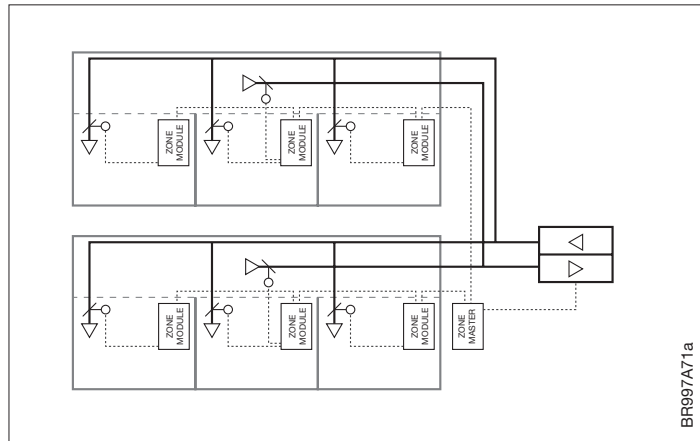


Fig. 30 - Configuration - Pressure protection

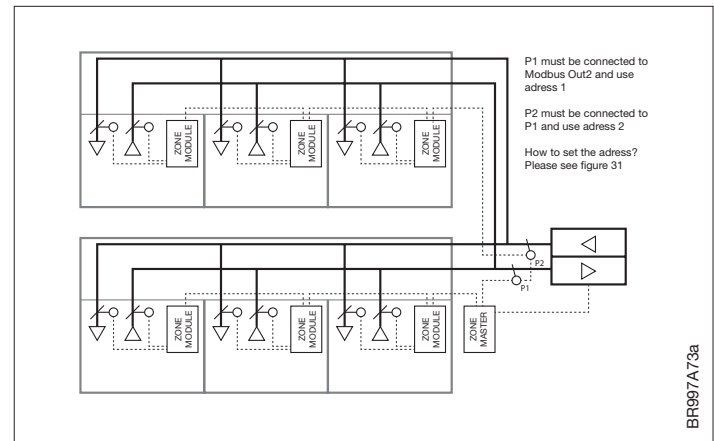


Fig. 31 - Configuration - Large room slave

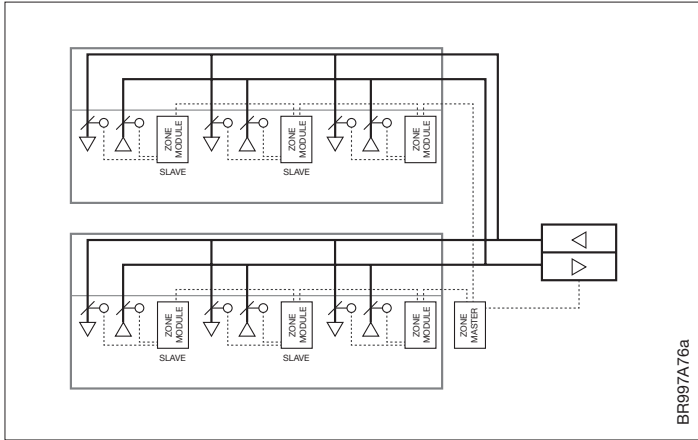
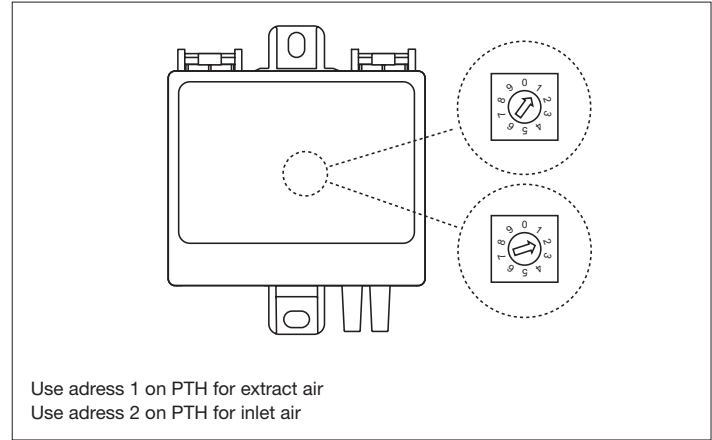


Fig. 32 - Configuration - How to set the adress?







**OJ ELECTRONICS A/S**

Stenager 13B · DK-6400 Sønderborg

Tel. +45 73 12 13 14 · Fax +45 73 12 13 13

oj@ojelectronics.com · www.ojelectronics.com