

Thermostat

ETD

HVAC CONTROLS AND POWER

Differential Thermostat ETD

- Electronic ON/OFF thermostat
- For difference control between two temperatures
- Adjustable start and stop difference
- Operation temperature 0-60°C
- LED shows activated relay
- Switch for overriding of pump

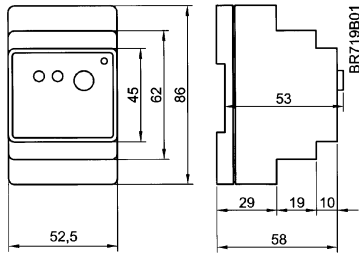
APPLICATION

The ETD is an electronic difference thermostat for ON/OFF control of the temperature difference between the heating source and storage tank in solar heating units and other types of heat recovery plants.

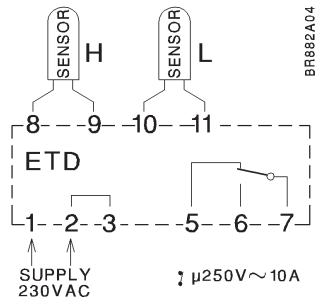
FUNCTION

The thermostat is constructed for ON/OFF control of the difference between two temperatures. The built-in relay is activated as soon as the sensor temperature in the heating source exceeds the temperature in the storage tank with the °C which has been set with the „START DIFF“. The real start difference is the same as the setting of „START DIFF“ + „STOP DIFF“. At the same time the red light diode is on on the front of the thermostat. The relay will be activated until the temperature difference has fallen with the °C which have been set with „STOP DIFF“. Then the relay releases and the LED goes out.

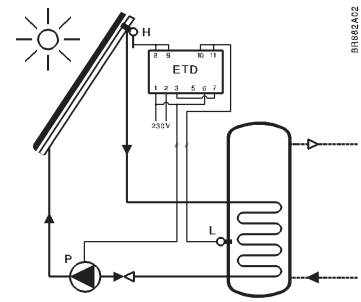
By means of a switch on the front a pump can be guided to constant operation. (Switch in position ON). This function can be used for starting of unit as control of pump. This function may also be used if the solar heating unit has to be secured against boiling over, if there is no need for heating during a longer period of time.



Dimensions



Connection



Application

TECHNICAL DATA

Supply voltage	230V AC
Frequency	50/60 Hz
Consumption	3 VA
Relay	10A / 230V
Start difference:	ETD 1225: 1-5°C ETD 1226: 5-20°C
Stop difference	1-5°C
Operation temperature	0-60°C
Function switch:	
Temperature controlled pump	switch in pos. AUTO
Constant pump operation	switch in pos. ON

Temperature Sensors

Sensor for solar collector/the solar source is connected to clamp 8 and 9. Sensor for tank is connected to clamp 10 and 11.

The sensor cable may be extended up to 50 m with separate cable. Avoid that the sensor cable is placed parallel to cables which may induce noise on the sensor cable and thus disturb the function of the ETD.

PRODUCT PROGRAM

TYPE	PRODUCT
ETD-1226	Difference thermostat - start 5-20°C, stop 1-5°C
ETD-1225	Difference thermostat - start 1-5°C, stop 1-5°C
ACCESSORIES	
ETF-x22	Sensors 0-120°C