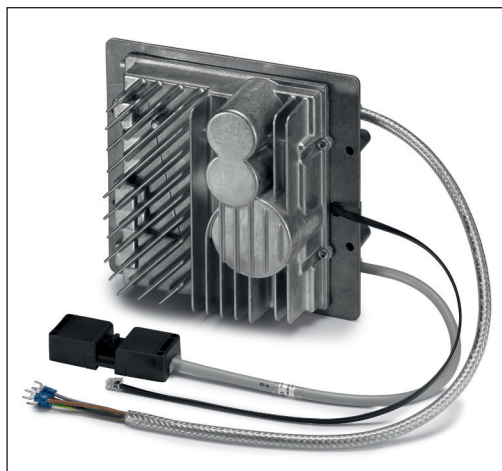


# INSTRUCTIONS

## Type OJ FC-W



67046A 09/14 (KPA)



- English
- Deutsch
- Français
- Svenska
- Norsk
- Dansk

### English

#### LIST OF FIGURES

The following figures are located at the back of the instructions:

- Figure 1: Location within air flow
- Figure 2: Power connection
- Figure 3: Colour coded motor connection
- Figure 4: Pre-made cables
- Figure 5: Internal terminal connections
- Figure 6: Control via OJ Air2 Fan IO
- Figure 7: LED indicator lights
- Figure 8: Dimensions FC-W base
- Figure 9: Dimensions FC-W complete 0,75-3,30 kW
- Figure 10: Dimensions FC-W complete 4,0-5,50 kW
- Figure 11: Relationship between setpoint and min./max. frequency

#### INTRODUCTION

OJ FC-W frequency converters are used to control the speed of standard three-phase synchronous motors used for fan operation. To ensure adequate cooling, the frequency converter must always be positioned directly in the fan air flow (fig. 1). The frequency converter can be mounted on the wall or directly on the motor console. Thanks to its one-piece aluminium housing, it is extremely robust and cannot be damaged by vibration. The frequency converter is controlled via Modbus RTU and can thus be fully integrated with the OJ Air2 system. Operating and range parameters can easily be adjusted for the fan concerned via Modbus. To ensure trouble-free operation and low installation costs, the frequency converters are equipped with built-in EMC filter. The frequency converters are easy to open and have plenty of space to facilitate service and maintenance.

#### FUNCTION

The frequency converter controls the motor by changing frequency and voltage. The frequency converter output signal is based on the "space vector" principle. Voltage can be converted as a linear or quadratic function of frequency and the voltage/frequency ratio can be set to ensure optimum motor excitation current, thus minimising power consumption and noise level. Switching frequency is factory set to 4.5 kHz (low) but can also be set to 9 kHz (medium) and 18 kHz (high). Raising the switching frequency increases energy loss within the motor. The motor therefore becomes less efficient but any audible acoustic noise is also reduced.

As standard the frequency converter has the following built-in features:

- Modbus RTU
- Flying start in both directions
- Automatic restart (5 times) in the event of over/under-voltages, etc.
- Alarm if set number (5 times) of restarts is exceeded
- Alarms for overload, over-voltage and under-voltage
- Motor protector with built-in current limiter
- Short-circuit-protected frequency converter outputs

#### PRODUCT PROGRAMME

##### Frequency converter

Type	Product
OJ-FC0.75	FC 0.75 kW, 1x230 V
OJ-FC110	FC 1.10 kW, 1x230 V
OJ-FC150	FC 1.50 kW, 1x230 V
OJ-FC322	FC 2.20 kW, 3x400 V
OJ-FC322-230	FC 2.20 kW, 3x230 V
OJ-FC330	FC 3.00 kW, 3x400 V
OJ-FC340	FC 4.00 kW, 3x400 V / 3.00 kW, 3x230 V
OJ-FC355	FC 5.50 kW, 3x400 V / 4.00 kW, 3x230 V

#### MODBUS

The frequency converter is controlled via Modbus, for example from an OJ Air2 Fan IO. The Modbus cable should be connected to the RJ12 socket marked "B". The frequency converter can then be addressed from the OJ Air2 Fan IO via the "B" socket.

The frequency converter has the following address area: 0x48 (72), 0x49 (73), 0x4C (76) and 0x4D (77), and its communication protocol is: 38.4 kBd, 1 start bit, 8 data bits, 1 stop bit and no parity.

#### SUPPORTED MODBUS COMMANDS

##### Coil Stat Bit (Length = 2)

Address	Function	Data range	Active level
0	Bit0: Motor ON/OFF (1=ON)	0.1	1 = ON
1	Bit1: Reset (1= Reset/Pulse)	0.1	1 = Reset
2	Save setup to EEPROM	0.1	1 = Save
3	Load setup from EEPROM	0.1	1 = Load

##### Input Stat Bit (Length = 8)

Addr.	Bit name	Description	Data range	Active level
0	Bit0:V_LoAlr	V intermediate circuit LoLimit alarm	0.1	1 = Alarm
1	Bit1:V_HiAlr	V intermediate circuit HiLimit alarm	0.1	1 = Alarm
2	Bit2:I_HiAlr	Over-current alarm	0.1	1 = Alarm
3	Bit3:TempAlr	Over-heating alarm	0.1	1 = Alarm
4	Bit4:PhaseErr	Phase fault	0.1	1 = Error
5	Bit5:VrippelAlr	Ripple voltage alarm	0.1	1 = Alarm
6	Bit6:I_HiLimit	Current limiter active	0.1	1 = Limit
7	Bit7:EkstemStop	External stop input	0.1	1 = Stop
9	Bit9: EEPROM Error	Error in EEPROM (internal error)	0.1	1 = Error
10	Bit10:SPI_Error	Error in Serial Peripheral Interface (SPI) (internal error)	0.1	1 = Error

**HoldingReg (Length = 18)**

Ad-dress	Description	Min.	Max.	Remarks	Factory
0	PrcSet	0 (0%)	10000 (100%)	Speed setpoint in % of interval min./max.	n/a
1	MinHz	0 (0%)	5000 (50 Hz)	Min. speed (frequency)	10 Hz
2	MaxHz	0 (0%)	15000 (150 Hz)	Max. speed (frequency)	82 Hz
3	UpRampTime	0 (0 s)	200 (200 s)	Ramp up time (seconds)	40 s
4	DownRampTime	0 (0 s)	200 (200 s)	Ramp down time (seconds)	40 s
5	VloAlrLimit	0 (0 V)	600 (1000 V)	Alarm for under-voltage	280 V
6	VhiAlrLimit	0 (0 V)	1000 (1000 V)	Alarm for over-voltage	400 V
7	MaxIout	0 (0 A)	20000 (20.0 A)	Max. current output	6 A
8	IoutAlrLimit	0 (0 A)	20000 (20.0 A)	Alarm limit for max. current	10 A
9	VrippleAlrLimit	0 (0 V)	200 (200 V)	Alarm limit for max. ripple voltage	50 V
A	SwitchMode	0 (3 kHz)	2 (18 kHz)	Switching frequency (4.5 / 9 / 18 kHz)	0 (4.5 kHz)
B	UminHz	0 (0 V)	100 (100 V)	Voltage at minimum frequency	25 V
C	FreqUmax	0 (Hz)	15000 (150 Hz)	Frequency at maximum voltage	70 Hz
D	Umax	240 (240 V)	400 (400 V)	Max. voltage	240/400 V
E	ExpSet	1 (linear)	100 (quadratic)	Voltage/frequency ratio	50
F	UsedSetup	0 (user type)	-1 (save EEPROM)	Parameter block	0
10	MinBrakeTime	0 (0 s)	100 (100 s)	Min. braking time	15 s
11	MaxBrakeTime	0 (0 s)	100 (100 s)	Max. braking time	40 s

**InputReg (Length = 10)**

Ad-dress	Description	Min.	Max.	Remarks	Factory
0	UsedSetup	n/a	n/a		
1	FV-swver	n/a	n/a		
2	Swver	n/a	n/a		
3	PrcOut	0 (0%)	10000 (100%)	Speed in %	n/a
4	HzOut	0 (0%)	15000 (150 Hz)	Speed in Hz (frequency)	n/a
5	InternTemp	0 (0°C)	120 (120°C)	Temperature in power module (top section)	n/a
6	Vout	0 (0 V)	1000 (1000 V)	DC voltage	n/a
7	Iout	0 (0 A)	20000 (20.0 A)	Motor current	n/a
8	Power	0 (0 kW)	15000 (15.0 kW)	Power	n/a
9	EksternSet	0 (0%)	10000 (100%)	External setpoint input (0-10 V DC)	n/a

**PROHIBITION ON USE**

It is hereby declared that the product must not be taken into use until the machine/system in which it is to be incorporated has in its entirety been declared to be in conformity with all relevant requirements of the Machinery Directive 98/37/ EEC and any applicable national regulations. The product must not be energised until the entire installation complies with ALL relevant EU directives. The product carries a manufacturer's warranty if installed in accordance with these installation instructions and applicable installation regulations. If the product has been damaged in any way, e.g. during transport, it must be inspected and repaired by authorised personnel before being connected to the power supply.

**INSTALLATION**

The frequency converter is designed to be installed within the ventilation unit and must be positioned directly in the air flow to ensure sufficient frequency converter cooling (fig. 1). It is not necessary to dismantle the frequency converter in order to install it. The frequency converter is equipped with pre-made cables, all of which are connected internally within the frequency converter (figs 4 & 5)

**Fitting the base**

To ensure sufficient cooling of the frequency converter, it must be installed in such a way as to allow the fan air flow to pass across the cooling fins.

There must also be free air passage between the fins. The frequency converter can either be mounted horizontally or vertically on the inner wall of the air handling unit or directly on the fan console, and is secured in place by four screws (fig. 9).

**Connecting the motor cable**

The motor cable consists of screened cable of suitable length. It is already connected within the frequency converter and all four wires are equipped with terminals for easy, trouble-free fitting.

The wires are colour coded (fig. 3):

- "Black" = "U"
- "Brown" = "V"
- "Grey" = "W"
- "Yellow/Green" = "PE"

**Connecting the power supply**

Connect a power cable to the power connector, which is already wired to the frequency converter.

With 1 x 230 VAC models, connect the power cable to terminals "L1", "N" and "PE" (figs 2 & 4). With 3 x 400 VAC models, connect the power cable to terminals "L1", "L2", "L3" and "PE" (figs 2 & 4).

**Connecting Modbus**

Connect the Modbus cable from OJ Air2 Fan IO to the RJ12 connector, which is already connected to the MODBUS socket within the frequency converter (figs 5 & 6).

If it is necessary to extend the Modbus communication cable, standard telecom cable of type MPFK6S or similar flat cable should be used. A crossover Category 3 extension cable, RJ12-RJ12 6P6C (OJ nr. 81257), can be used.

Lead the Modbus cable into the frequency converter through the slot moulded into the base of the frequency converter. The small piece of foam rubber over which the cable is led must not be removed as it acts to seal the cable entry. Secure the Modbus cable using the strain relief cable clamp located beside the cable entry.

**Fitting the top**

Place the accompanying frequency converter top above the base. Insert the three connectors on the leads in the top into the corresponding sockets in the base. Secure the top in position using four screws (fig. 9).

**TECHNICAL DATA**

**Inputs**

Supply voltage.....1x230/3x400 V AC -10/+15%, 50/60 Hz  
 Modbus RTU ..... 1 x RJ12 6P6C

**Outputs**

Output voltage..... Pulsed AC voltage (PWM)  
 Output frequency ..... 10-200 Hz  
 Output voltage at max. frequency..... 10-97%  
 Voltage/frequency ratio ..... Linear/quadratic  
 Switching frequency..... 4.5 kHz (can be set to 9 or 18 kHz)

**Other data**

Type	Power 1x230 V AC		Max. current	Max. fuse	Dimen- sions	Weight (kg)
	Sup- plied	Shaft				
FC075	1.0 kW	0.75 kW	3x4.5 A	3x16 A	Fig 9	4.6
FC110	1.4 kW	1.1 kW	3x5.5 A	3x16 A	Fig 9	4.6
FC150	2.0 kW	1.5 kW	3x6.0 A	3x16 A	Fig 9	4.6

Type	Power 3x230 V AC		Power 3x400 V AC		Max. current	Max. fuse	Dimen- sions	Weight (kg)
	Sup- plied	Shaft	Sup- plied	Shaft				
FC322-230	2.6 kW	2.2 kW			3x10 A	3x25 A	Fig 9	4,6
FC322			2.6 kW	2.2 kW	3x7 A	3x25 A	Fig 9	4,6
FC330			3.6 kW	3.0 kW	3x10 A	3x25 A	Fig 9	4,6
FC340	3.8 kW	3.0 kW	4.8 kW	4.0 kW	3x12 A	3x25 A	Fig 10	5.4
FC355	5.1 kW	4.0 kW	6.6 kW	5.5 kW	3x15 A	3x25 A	Fig 10	5.4

**Environment**

Enclosure rating..... IP54  
 Ambient air humidity ..... 10-95% (non-condensing)  
 Ambient temperature..... -30 - +50°C (startup) / -20 - +40°C (operation)  
 Cooling ..... The frequency converter must be installed in the air flow

**OPERATION**

**Frequency converter control**

The frequency converter can be controlled via Modbus.

**Control via Modbus**

See "Modbus" section in these instructions.

**LED INDICATION**

The frequency converter has two built-in LEDs (fig. 7), which have the following functions:

- Alarm LED (LED1) lights in alarm situations.
- Com LED (LED2) flashes whenever data is received correctly.

**Safety features**

The frequency converter is protected against phase-to-phase short circuiting and has built-in current limitation to protect the motor. Reinforced insulation requirements (3750 V RMS) have been met. It is the responsibility of the electrician installing the unit to ensure proper earthing and any other protection required by applicable local regulations and standards. Residual current devices (RCD), multiple protective earthing or standard earthing can be used as additional precautions, provided they comply with local safety regulations. Earth leakage currents are higher

than 3.5 mA. The unit therefore requires fixed permanent installation and reinforced protective earthing.

*Note! When earth faults occur, the fault current may contain a DC component. If RCDs are used, they must therefore be capable of detecting such current and must be installed in accordance with applicable local and international regulations.*

**SERVICE AND MAINTENANCE**

No special maintenance is required.  
 Please contact your supplier if faults arise.

**ALARM**

When an alarm situation arises, the frequency converter is stopped and the alarm LED (LED1) lights up.

When the alarm situation passes, the alarm is automatically reset and the frequency converter restarted.

If the maximum number of restarts (5 times) is exceeded, the alarm must be reset manually.


The alarm is reset by pulsing CoilStatBit, address 1 = "1".

If the power supply is disconnected, the alarm is automatically reset.

**DISPOSAL AND ENVIRONMENTAL PROTECTION**

Help protect the environment by disposing of the packaging and redundant products in a responsible manner.

**Product disposal**

 Products marked with this symbol must not be disposed of along with household refuse but must be delivered to a waste collection centre in accordance with current local regulations.

**OJ ELECTRONICS A/S**

Stenager 13B · DK-6400 Sønderborg  
 Tel. +45 73 12 13 14 · Fax +45 73 12 13 13  
 oj@ojelectronics.com · www.ojelectronics.com

**CE MARKING**

OJ Electronics A/S hereby declares that the product is manufactured in accordance with Council Directive 92/31/EEC on electromagnetic compatibility (and subsequent amendments) and Council Directive 73/23/EEC on electrical equipment designed for use within certain voltage limits.

**Applied standards**

EN-61800-2  
 "Adjustable speed electrical power drive systems.  
 Part 2: General requirements."

**EMC DIRECTIVE**

---

EMC EMISSION EN 61000-6-3:2001  
 EMC IMMUNITY EN 61000-6-2:2001

---

The product may only be used if the complete installation complies with applicable directives. The product carries a manufacturer's warranty if installed in accordance with these instructions and applicable regulations. If the product has been damaged by physical impact, e.g. during transport, it must be inspected and checked by authorised personnel before being taken into use and connected to the power supply.

## TROUBLESHOOTING

### Opening the frequency converter

The power supply must be disconnected for at least 2 minutes before the frequency converter is opened. Otherwise the unit may contain residual current capable of causing serious injury.

#### Troubleshooting when the frequency converter is controlled by external signals:

Symptom	Cause	Action
Motor inoperative	Lacking supply voltage	Check voltage supply to frequency converter: terminals "L" and "N" on 230 V models; "L1", "L2" and "L3" on 3 x 400 V and 3 x 230 V models. (The correct supply voltage is stated on the nameplate on the side of the frequency converter).
	Lacking operating signal	0001H: Bit 0: Motor ON/OFF (1=On) 0-1
	Poor electrical connections	Check pin connectors and all other electrical connections.
	Lacking speed setpoint	0001H: PrcSet 0-10000 (0-100.00%)
	Internal motor protector has cut out 5 times due to overloading	0002H: Bit 1: Reset (1 = Reset/pulse) 0-1 The alarm can also be reset by disconnecting the power source and reconnecting it again after approx. 15 seconds.
	Defective frequency converter	Replace frequency converter.
	Defective motor	Replace motor.
Frequency converter noisier than acceptable	Switching frequency too low	Increase switching frequency. 000BH: SwitchMode 0 = Low, 1 = Medium, 2 = High 0, 1, 2 frequency Raising the switching frequency increases energy loss within the motor. The motor therefore becomes less efficient and less economic to run.
Frequency converter cuts out	At least 2 phases short-circuited on motor terminals	Remove short-circuit on motor terminals*.
* Note: Remember to reset the alarm by setting 0002H: Bit 1: Reset (1 = Reset/pulse) 0-1  The alarm can also be reset by disconnecting the power source and reconnecting it again after approx. 15 seconds.	Defective motor	Replace motor*.
	Overloaded motor	Relieve motor overload*.

## Deutsch

### ABBILDUNGEN

Am Ende dieser Anleitung finden sich folgende Abbildungen:

- Abbildung 1: Platzierung im Luftstrom
- Abbildung 2: Netzanschluss
- Abbildung 3: Farbkennzeichnung Motoranschluss
- Abbildung 4: Vorkonfektionierte Kabel
- Abbildung 5: Interne Klemmenanschlüsse
- Abbildung 6: Steuerung mit OJ Air2 Fan IO
- Abbildung 7: LED-Anzeige
- Abbildung 8: Abmessungen des FC-W-Unterteils
- Abbildung 9: Außenabmessungen des FC-W 0,75-3,30 kW
- Abbildung 10: Außenabmessungen des FC-W 4,0-5,50 kW
- Abbildung 11: Verhältnis zwischen Sollwert und min./max. Frequenz

### ALLGEMEINES

Die OJ-FC-W-Frequenzumrichter dienen zur Drehzahlregelung von standardmäßigen Drehstrommotoren in Gebläsen. Der Frequenzumrichter ist mit Rücksicht auf seine Kühlung direkt im Luftstrom des Lüfters zu montieren (Abb. 1). Der Frequenzumrichter kann auf einer Wand oder direkt auf der Motorenkonsole montiert werden und ist dank seines in einem Stück gegossenen Aluminiumgehäuses ausgesprochen robust, und daher schwingungsunempfindlich. Der Frequenzumrichter wird über Modbus RTU gesteuert und lässt sich daher völlig in das OJ-Air2-System integrieren. Betriebs- und Grenzparameter lassen sich über Modbus leicht an das aktuelle Gebläse anpassen. Zur Gewährleistung eines problemlosen Betriebs und niedriger Installationskosten verfügt der Frequenzumrichter über ein eingebautes EMV-Filter. Der Frequenzumrichter lässt sich einfach öffnen und ist für Wartung und Inspektion gut zugänglich.

### FUNKTION

Der Frequenzumrichter steuert den Motor durch Verändern von Frequenz und Spannung. Das Ausgangssignal des Frequenzumrichters basiert auf dem „Raumzeiger“-Prinzip. Die Spannung ändert sich linear oder quadratisch als Funktion der Frequenz, und das Spannung/Frequenz-Verhältnis kann auf optimalen Magnetisierungsstrom im Motor eingestellt werden. Damit lassen sich Energieverbrauch und Geräuschentwicklung auf ein Minimum reduzieren. Die Schaltfrequenz ist werkseits auf 4,5 kHz (niedrig) eingestellt, lässt sich aber auf 9 kHz (mittel) und 18 kHz (hoch) ändern. Bei hochgesetzter Schaltfrequenz erhöhen sich die Verluste und der Wir-

kungsgrad des Motors sinkt, jedoch werden eventuell hörbare akustische Geräusche reduziert.

Der Frequenzumrichter verfügt standardmäßig über folgende Funktionen:

- Modbus RTU
- Fliegender Start in beide Richtungen
- Automatischer Wiederanlauf (5x) z. B. bei Über-/Unterspannung
- Alarm, wenn eingestellte Anzahl (5x) Wiederanlaufversuche überschritten wird
- Alarm für Überlast, Überspannung und Unterspannung
- Motorschutz mit eingebauter Strombegrenzung
- Gegen Kurzschluss geschützte Frequenzumrichterausgänge

### PRODUKTPROGRAMM

#### Frequenzumrichter

Typ	Produkt
OJ-FC0.75	FC 0,75 kW, 1 × 230 V
OJ-FC110	FC 1,10 kW, 1 × 230 V
OJ-FC150	FC 1,50 kW, 1 × 230 V
OJ-FC322	FC 2,20 kW, 3 × 400 V
OJ-FC322-230	FC 2,20 kW, 3 × 230 V
OJ-FC330	FC 3,00 kW, 3 × 400 V
OJ-FC340	FC 4,00 kW, 3 × 400 V / 3,00 kW, 3 × 230 V
OJ-FC355	FC 5,50 kW, 3 × 400 V / 4,00 kW, 3 × 230 V

### MODBUS

Der Frequenzumrichter wird über Modbus von beispielsweise einem OJ Air2 Fan IO gesteuert; das Modbuskabel ist an den mit „B“ gekennzeichneten RJ12-Modbusstecker anzuschließen. Die Adressierung des Frequenzumrichters wird vom OJ Air2 Fan IO über den „B“-Stecker vorgenommen. Der Frequenzumrichter hat den Adressenbereich 0x48 (72), 0x49 (73), 0x4C (76) und 0x4D (77) und folgendes Kommunikationsprotokoll: 38,4 kBaud, 1 Startbit, 8 Datenbits, 1 Stoppbit und keine Parität.

## UNTERSTÜTZTE MODBUSKOMMANDOS

### Coil Stat Bit (Length = 2)

Adresse	Funktion	Datenbereich	Aktives Niveau
0	Bit0: Motor ON/OFF (1=ON)	0,1	1 = ON
1	Bit1: Reset (1=Reset/Pulse)	0,1	1 = Reset
2	Save setup to EEPROM	0,1	1 = Save
3	Load setup from EEPROM	0,1	1 = Load

### Input Stat Bit (Length = 8)

Adr.	Bitname	Beschreibung	Datenbereich	Aktives Niveau
0	Bit0:V_LoAlr	V-Zwischenkreis Niedriggrenze-Alarm	0,1	1 = Alarm
1	Bit1:V_HiAlr	V-Zwischenkreis Hochgrenze-Alarm	0,1	1 = Alarm
2	Bit2:I_HiAlr	Überstromalarm	0,1	1 = Alarm
3	Bit3:TempAlr	Übertemperaturalarm	0,1	1 = Alarm
4	Bit4:PhaseErr	Phasenfehler	0,1	1 = Error
5	Bit5:VrippelAlr	Vrippel-Alarm	0,1	1 = Alarm
6	Bit6:I_HiLimit	Strombegrenzer aktiv	0,1	1 = Limit
7	Bit7:EksternStop	Externer Stopp-Eingang	0,1	1 = Stop
9	Bit9: EEPROM Error	Störung im EEPROM (interner Fehler)	0,1	1 = Error
10	Bit10:SPI_Error	Störungen in der seriellen Schnittstelle (SPI) (interner Fehler)	0,1	1 = Error

### HoldingReg (Length = 18)

Adresse	Beschreibung	Min.	Max.	Bemerkungen	Werk
0	PrcSet	0 (0 %)	10 000 (100 %)	Drehzahlsollwert in % des Min/Max-Intervalls	k. A.
1	MinHz	0 (0 %)	5000 (50 Hz)	Minimale Drehzahl (Frequenz)	10 Hz
2	MaxHz	0 (0 %)	15 000 (150 Hz)	Maximale Drehzahl (Frequenz)	82 Hz
3	UpRampTime	0 (0 Sek.)	200 (200 Sek.)	Hochlaufzeit (Sekunden)	40 Sek.
4	DownRampTime	0 (0 Sek.)	200 (200 Sek.)	Bremszeit (Sekunden)	40 Sek.
5	VloAlrLimit	0 (0 V)	600 (1000 V)	Alarm für Unterspannung	280 V
6	VhiAlrLimit	0 (0 V)	1000 (1000 V)	Alarm für Überspannung	400 V
7	MaxIout	0 (0 A)	20 000 (20,0 A)	Max. Ausgangsstrom	6 A
8	IoutAlrLimit	0 (0 A)	20 000 (20,0 A)	Alarmgrenze für Maximalstrom	10 A
9	VrippleAlrLimit	0 (0 V)	200 (200 V)	Alarmgrenze für max. Rippelspannung	50 V
A	SwitchMode	0 (3 kHz)	2 (18 kHz)	Schaltfrequenz (4,5/9/18 kHz)	0 (4,5 kHz)
B	UminHz	0 (0 V)	100 (100 V)	Spannung bei minimaler Frequenz	25 V
C	FreqUmax	0 (Hz)	15 000 (150 Hz)	Frequenz bei maximaler Spannung	70 Hz
D	Umax	240 (240 V)	400 (400 V)	Max. Spannung	240/400 V
E	ExpSet	1 (linear)	100 (quadratisch)	Spannung/Frequenz-Verhältnis	50
F	UsedSetup	0 (Usertype)	-1 (EEProm speichern)	Parameterblock	0
10	MinBrakeTime	0 (0 Sek.)	100 (100 Sek.)	Minimale Bremszeit	15 Sek.
11	MaxBrakeTime	0 (0 Sek.)	100 (100 Sek.)	Maximale Bremszeit	40 Sek.



## InputReg (Length = 10)

Adresse	Beschreibung	Min.	Max.	Bemerkungen	Werk
0	UsedSetup	k. A.	k. A.		
1	FV-swver	k. A.	k. A.		
2	Swver	k. A.	k. A.		
3	PrcOut	0 (0 %)	10 000 (100 %)	Drehzahl in %	k. A.
4	HzOut	0 (0 %)	15 000 (150 Hz)	Drehzahl in Hz (Frequenz)	k. A.
5	InternTemp	0 (0 °C)	120 (120 °C)	Temperatur im Leistungsmodul (Oberteil)	k. A.
6	Vout	0 (0 V)	1000 (1000 V)	Gleichspannung	k. A.
7	Iout	0 (0 A)	20 000 (20,0 A)	Motorstrom	k. A.
8	Power	0 (0 kW)	15 000 (15,0 kW)	Leistung	k. A.
9	EksternSet	0 (0 %)	10 000 (100 %)	Externer Sollwerteingang (0-10 V=)	k. A.

## VERBOT DER INBETRIEBNAHME

Eine Inbetriebnahme ist so lange ausdrücklich verboten, bis die Maschine/das Produkt, in die/das das oben erwähnte Produkt eingebaut wird, insgesamt als in Übereinstimmung mit allen relevanten Bestimmungen der Maschinenrichtlinie 98/37/EWG sowie der nationalen Gesetzgebung, z.B. Bekanntmachungen der Gewerbeaufsicht, erklärt wurde. Das Produkt darf erst unter Spannung gesetzt werden, wenn die gesamte Installation die Anforderungen ALLER relevanten EU-Richtlinien einhält. Ist das Produkt gemäß dieser Installationsanleitung und geltenden Installationsvorschriften installiert, wird das Produkt von der Werksgarantie umfasst. Ist das Produkt beschädigt, z. B. während des Transports, ist es zu untersuchen und von dazu autorisiertem Personal zu reparieren, bevor das Produkt unter Spannung gesetzt wird.

## INSTALLATION

Der Frequenzumrichter ist für den Einbau im Lüfteraggregat ausgelegt und ist mit Rücksicht auf seine Kühlung direkt im Luftstrom zu montieren (Abb. 1). Ein Zerlegen des Frequenzumrichters ist bei der Montage nicht erforderlich. Der Frequenzumrichter ist mit vorkonfektionierten Kabeln ausgestattet, die alle intern im Frequenzumrichter angeschlossen sind (Abb. 4 und 5).

## Montage des Unterteils

Um eine ausreichende Kühlung des Frequenzumrichters zu gewährleisten ist er so zu montieren, dass der Luftstrom des Lüfters entlang der Kühlrippen geführt wird und freie Passage zwischen ihnen besteht. Der Frequenzumrichter kann entweder horizontal oder vertikal im Inneren der Lüftungsanlage oder direkt auf der Lüfterkonsole montiert und mit 4 Schrauben befestigt werden (Abb. 9).

## Montage der Motorkabel

Das Motorkabel, ein geschirmtes Kabel in passender Länge, ist im Frequenzumrichter intern angeschlossen, und die 4 Kabelliter sind alle mit Kabelschuhen für eine einfache und problemlose Montage ausgestattet. Die Leiter haben folgende Farbkennzeichnung (Abb. 3):

- „Schwarz“ = „U“
- „Braun“ = „V“
- „Grau“ = „W“
- „Gelb/Grün“ = „PE“

## Anschluss der Netzversorgung

Das Netzkabel ist am vorkonfektionierten Kabel mit Steckverbinder des Frequenzumrichters anzuschließen. Das Netzkabel ist bei der 1x230V-Ausführung an die Klemmen „L1“ und „N“ sowie „PE“ anzuschließen (Abb. 2 und 4). Bei 3x400V-Ausführungen ist das Netzkabel an „L1“, „L2“ und „L3“ sowie „PE“ anzuschließen (Abb. 2 und 4).

## Anschluss des Modbus<sup>1</sup>

Das Modbuskabel vom OJ Air2 Fan IO wird an den Frequenzumrichter im RJ12-Stecker angeschlossen, der intern im Frequenzumrichter mit dem „MODBUS“-Stecker verbunden ist (Abb. 5 und 6).

Falls das Modbuskommunikationskabel verlängert werden muss, ist ein standardmäßiges Modulkabel, Typ MPFK 6S oder ein entsprechendes Flachkabel zu benutzen. Es kann ein Cat3-Twisted-Pair-Verlängerungskabel, RJ12-RJ12 6P6C (OJ nr. 81257) benutzt werden. Das Modbuskabel wird durch den im Frequenzumrichterunterteil gegossenen Schlitz in den Frequenzumrichter eingeführt. Das kleine Schaumgummiteil, über welches das Modbuskabel geführt wird, darf nicht entfernt werden, da es als Dichtung der Modbus-Kabeldurchführung dient. Das Modbuskabel wird mit dem unmittelbar bei der Durchführung platzierten Kabelbügel zugentlastet.

## Montage des Oberteils

Den zugehörigen Frequenzumrichteroberteil auf dem Unterteil anbringen. Die drei Kabelstecker im Oberteil an den entsprechenden Steckdosen im Unterteil anschließen. Den Oberteil mit 4 Schrauben befestigen (Abb. 9).

## TECHNISCHE DATEN

### Eingänge

Versorgungsspannung..... 1 x 230/3 x 400 V~, -10/+15 %, 50/60 Hz  
Modbus RTU ..... 1 x RJ12 6P6C

### Ausgänge

Ausgangsspannung..... Pulsierende Wechselspannung (PBM)  
Ausgangsfrequenz..... 10-200 Hz  
Ausgangsspannung b. max. Frequenz..... 10-97 %  
Spannung/Frequenz-Verhältnis ..... linear/quadratisch  
Schaltfrequenz..... 4,5 kHz (einstellbar auf 9 und 18 kHz)

## Sonstige Daten

Typ	Leistung 1 x 230 V~		Max. Strom	Max. Sicherung	Abmessungen	Gewicht (kg)
	Zugeführt	Welle				
FC075	1,0 kW	0,75 kW	3 x 4,5 A	3 x 16 A	Abb. 9	4,6
FC110	1,4 kW	1,1 kW	3 x 5,5 A	3 x 16 A	Abb. 9	4,6
FC150	2,0 kW	1,5 kW	3 x 6,0 A	3 x 16 A	Abb. 9	4,6

Typ	Leistung 3 x 230 V~		Leistung 3 x 400 V~		Max. Strom	Max. Sicherung	Abmessungen	Gewicht (kg)
	Zugeführt	Welle	Zugeführt	Welle				
FC322-230	2,6 kW	2,2 kW			3 x 10 A	3 x 25 A	Abb. 9	4,6
FC322			2,6 kW	2,2 kW	3 x 7 A	3 x 25 A	Abb. 9	4,6
FC330			3,6 kW	3,0 kW	3 x 10 A	3 x 25 A	Abb. 9	4,6
FC340	3,8 kW	3,0 kW	4,8 kW	4,0 kW	3 x 12 A	3 x 25 A	Abb. 10	5,4
FC355	5,1 kW	4,0 kW	6,6 kW	5,5 kW	3 x 15 A	3 x 25 A	Abb. 10	5,4

## Umfeld

Schutzart ..... IP54  
Luftfeuchtigkeit..... 10-95 % – nicht kondensierend  
Umgebungstemperatur ... -30 bis +50 °C (Anlauf) / -20 bis +40 °C (Betrieb)  
Kühlung ..... Der Frequenzumrichter muss im Luftstrom montiert sein.

## BETRIEB

### Steuerung des Frequenzumrichters

Der Frequenzumrichter lässt sich auf folgende Arten steuern Modbus.

### Steuerung mit Modbus

Siehe unter Abschnitt „Modbus“ in dieser Anleitung.

### LED-ANZEIGEN

Der Frequenzumrichter hat zwei eingebaute Leuchtdioden (Abb. 7) mit folgenden Funktionen:

- Alarm-Leuchtdiode (LED1) leuchtet bei Alarm.
- Com-Leuchtdiode (LED2) blinkt jeweils bei Empfang korrekter Daten.

**Sicherheitsfunktionen**

Der Frequenzumrichter ist gegen Phase-Phase-Kurzschlüsse geschützt und verfügt über eine eingebaute Strombegrenzung zum Schutz des Motors. Die Anforderung an verstärkte Isolierung bei 3750 Veff wird eingehalten. Der Elektroinstallateur hat für eine korrekte Erdung sowie für Schutzmaßnahmen gemäß geltenden lokalen Vorschriften und Standards zu sorgen. FI-Relais, Mehrfach-Schutzerdung oder gewöhnliche Erdung können als zusätzlicher Schutz benutzt werden, vorausgesetzt die lokalen Sicherheitsvorschriften werden eingehalten. Die Erdschlussfehlerströme sind höher als 3,5 mA, weshalb eine feste, permanente Installation und verstärkte Schutzerdung erforderlich sind.

*NB! Bei Erdschluss kann der Fehlerstrom Gleichstromanteile enthalten, weshalb FI-Relais für deren Erkennung geeignet sein müssen, und bei deren Anwendung gemäß geltenden lokalen und internationalen Vorschriften zu installieren sind.*

**SERVICE UND WARTUNG**

Erfordert keine spezielle Wartung.  
Bei Problemen bitte mit dem Zulieferer Kontakt aufnehmen.


**ALARM**

Bei Alarm stoppt der Frequenzumrichter, und die Alarm-Leuchtdiode (LED1) leuchtet auf. Nach Fehlerbehebung wird der Alarm automatisch rückgestellt und der Frequenzumrichter läuft an. Wird die maximale Anzahl von Wiederanläufen (5x) überschritten, ist der Alarm rückzustellen. Die Alarmrückstellung erfolgt mittels Pulssignal CoilStatBit, Adresse 1 = „1“. Wird die Netzversorgung unterbrochen, erfolgt eine automatische Rückstellung des Alarms.

**UMWELT UND ENTSORGUNG**

Helfen Sie mit, die Umwelt zu schützen durch umweltgerechte Entsorgung der Verpackung und gebrauchten Produkten.

**Entsorgung des gebrauchten Produkts**

 Produkte mit dieser Kennzeichnung dürfen nicht als normaler Hausmüll entsorgt werden, sondern sind gemäß den geltenden lokalen Vorschriften gesondert einzusammeln.

**OJ Electronics A/S**

Stenager 13B · DK-6400 Sønderborg  
Tel +45 73 12 13 14 · Fax +45 73 12 13 13  
oj@ojelectronics.com · www.ojelectronics.com

**CE-KENNZEICHNUNG**

OJ Electronics A/S erklärt in Eigenverantwortung, dass dieses Produkt die EU-Richtlinie 92/31/EWG und spätere Änderungen über elektromagnetische Verträglichkeit sowie die EU-Richtlinie 73/23/EWG und spätere Änderungen über elektrische Betriebsmittel zur Anwendung innerhalb bestimmter Spannungsgrenzen erfüllt.

**Angewandte Standards**

EN-61800-2  
„Drehzahlveränderbare elektrische Antriebe, Allgemeine Anforderungen“

**EMV-RICHTLINIE**

EMV-EMISSION EN 61000-6-3:2001  
EMV-Immunität EN 61000-6-2:2001

Das Produkt darf nur in Anwendung genommen werden, wenn die gesamte Installation die geltenden Richtlinienanforderungen erfüllt. Nur wenn das Produkt gemäß dieser Anleitung und geltenden Installationsvorschriften installiert ist, wird es von der Werksgarantie umfasst. Wurde das Produkt physischer Überlast oder Beschädigung ausgesetzt, z. B. während des Transports, ist das Produkt durch qualifiziertes Personal zu inspizieren und zu kontrollieren, bevor das Produkt in Anwendung genommen und an das Netz angeschlossen wird.

**FEHLERSUCHE**

**Öffnen des Frequenzumrichters**

Vor dem Öffnen des Frequenzumrichters muss die Spannungsversorgung min. 2 Minuten abgeschaltet sein, da sonst berührungsgefährliche Restspannungen im Apparat auftreten können.

**Fehlersuche, bei Steuerung des Frequenzumrichters mit externen Signalen:**

Symptom	Ursache	Aktion
Motor läuft nicht	Fehlende Spannungsversorgung	Kontrollieren, ob Spannung am Frequenzumrichter anliegt. Klemme „L“ und „N“ bei 230V-Modellen. „L1“, „L2“ und „L3“ bei 3x400V- und 3x230V-Modellen. (Die Betriebsspannung des Frequenzumrichters ist auf dem seitlich am Frequenzumrichter platzierten Typenschild angegeben).
	Fehlendes Betriebssignal	0001h: Bit 0: Motor ON/OFF (1=On) 0-1
	Schlechte elektrische Verbindung	Steckverbindungen und andere elektrische Anschlüsse kontrollieren.
	Fehlender Drehzahlsollwert	0001h: PrcSet 0-10000 (0-100,00 %)
	Der Motor wurde aufgrund von Überlast fünfmal hintereinander vom eingebauten Motorschutz abschaltet.	0002h: Bit 1: Reset (1 = Reset/pulse) 0-1 Der Alarm kann auch durch ca. 15 Sek. langes Spannungslosmachen des Frequenzumrichters rückgestellt werden.
	Defekter Frequenzumrichter	Frequenzumrichter austauschen.
	Defekter Motor	Motor austauschen.
Frequenzumrichter lärmt über akzeptablem Niveau	Zu niedrige Schaltfrequenz	Schaltfrequenz erhöhen. 000BH: SwitchMode 0 = Niedrig, 1 = Mittel, 2 = Hoch 0, 1, 2 Frequenz Bei einer erhöhten Schaltfrequenz erhöhen sich die Motorverluste; damit ergibt sich ein niedrigerer Wirkungsgrad und geringere Wirtschaftlichkeit.
Frequenzumrichter schaltet ab  <i>* Bitte beachten: Alarm durch Einstellen von 0002H auf: Bit 1: Reset (1 = Reset/pulse) 0-1</i>  <i>Der Alarm kann auch durch ca. 15 Sek. langes Spannungslosmachen des Frequenzumrichters rückgestellt werden.</i>	Min. 2 Phasen an den Motorklemmen sind kurzgeschlossen	Kurzschluss an den Motorklemmen beheben*.
	Defekter Motor	Motor austauschen*.
	Überbelasteter Motor	Motor entlasten*.

## LISTE DES FIGURES

Les figures suivantes sont situées au dos des instructions :

- Figure 1 : Positionné dans le débit d'air
- Figure 2 : Raccord d'alimentation
- Figure 3 : Raccord moteur identifié par code de couleur
- Figure 4 : Câbles préfabriqués
- Figure 5 : Raccordements aux bornes internes
- Figure 6 : Contrôle par le OJ Air2 Fan IO
- Figure 7 : Lampes témoins DEL
- Figure 8 : Dimensions base FC-W
- Figure 9 : Dimensions complètes FC-W, 0,75-3,30 kW
- Figure 10 : Dimensions complètes FC-W, 4,0-5,50 kW
- Figure 11 : Relation entre le point de consigne et la fréquence min./max.

## INTRODUCTION

Les convertisseurs de fréquence OJ FC-W sont utilisés pour le contrôle de la vitesse de moteurs synchrones trois phases standards utilisés pour l'entraînement de ventilateurs. Pour assurer son refroidissement adéquat, le convertisseur de fréquence doit toujours être positionné directement dans le débit d'air du ventilateur (fig. 1). Le convertisseur de fréquence peut être monté sur les parois ou directement sur la console du moteur. Grâce à son boîtier monobloc en aluminium, il est extrêmement robuste et ne peut subir de dommages par la vibration. Le convertisseur de fréquence est contrôlé par un Modbus RTU et peut donc être totalement intégré au système OJ Air2. Les paramètres d'opération et de plage peuvent facilement être réglés pour le ventilateur en question par le Modbus. Pour assurer une opération sans problème et de faibles coûts d'installation, les convertisseurs de fréquence sont munis de filtres CEM intégrés. Les convertisseurs de fréquence sont faciles à ouvrir et offre suffisamment d'espace pour faciliter le service et l'entretien.

## FONCTION

Le convertisseur de fréquence contrôle le moteur en changeant la fréquence et la tension. Le signal de sortie du convertisseur de fréquence est basé sur le principe de la modulation de largeur d'impulsion (MLI). La tension peut être convertie par une fonction linéaire ou quadratique de fréquence et le rapport tension/fréquence peut être réglé pour assurer un courant d'excitation optimum du moteur ce qui réduit la consommation de puissance et le niveau de bruit. La fréquence de commutation est réglée en usine à 4,5 kHz (basse), mais elle peut également être réglée à 9 kHz (moyenne) et 18 kHz (haute). Augmenter la fréquence de commutation accroît les pertes d'énergie dans le moteur. Le moteur devient donc moins efficace, mais tout bruit acoustique audible est également réduit. Le convertisseur de fréquence standard possède les caractéristiques suivantes qui sont intégrées :

- Modbus RTU
- Démarrage rapide dans les deux directions
- Redémarrage automatique (5 fois) en cas de sur/sous-tensions, etc.
- Alarme si le nombre maximum de redémarrages est dépassé
- Alarmes pour surcharge, surtension et sous-tension
- Protection du moteur avec limiteur de courant intégré
- Sorties du convertisseur de fréquence protégées contre les courts-circuits

## GAMME DE PRODUITS

### Convertisseur de fréquence

Type	Produit
OJ-FC0.75	FC 0,75 kW, 1 x 230 V
OJ-FC110	FC 1,10 kW, 1 x 230 V
OJ-FC150	FC 1,50 kW, 1 x 230 V
OJ-FC322	FC 2,20 kW, 3 x 400 V
OJ-FC322-230	FC 2,20 kW, 3 x 230 V
OJ-FC330	FC 3,00 kW, 3 x 400 V
OJ-FC340	FC 4,00 kW, 3 x 400 V / 3,00 kW, 3 x 230 V
OJ-FC355	FC 5,50 kW, 3 x 400 V / 4,00 kW, 3 x 230 V

## MODBUS

Le convertisseur de fréquence est contrôlé via Modbus, par exemple, par un OJ Air2 Fan IO. Le câble Modbus devrait être raccordé à la douille RJ12 identifiée par « B ». Le convertisseur de fréquence peut alors être contrôlé par l'OJ Air2 Fan IO via la douille « B ».

Le convertisseur de fréquence possède la zone d'adresse suivante : 0x48 (72), 0x49 (73), 0x4C (76) et 0x4D (77), et son protocole de communication est : 38,4 kBd, 1 bit de départ, 8 bits de données, 1 bit d'arrêt et pas de parité.

## COMMANDES MODBUS SUPPORTÉES

### Bit état de bobine (longueur = 2)

Adresse	Fonction	Plage de données	Niveau actif
0	Bit0: Moteur ON/OFF (1 = ON)	0,1	1 = ON (marche)
1	Bit1: Réarmement (1 = réarmement/impulsion)	0,1	1 = Réarmement
2	Enregistrer réglage dans EEPROM	0,1	1 = Enregistrer
3	Charger réglage de l'EEPROM	0,1	1 = Charger

### Bit état d'entrée (longueur = 8)

Adresse	Nom de bit	Description	Plage de données	Niveau actif
0	Bit 0:V_LoAlr	Circuit intermédiaire V alarme Basse Limite	0,1	1 = alarme
1	Bit 1:V_HiAlr	Circuit intermédiaire V alarme Haute Limite	0,1	1 = alarme
2	Bit 2:I_HiAlr	Alarme surintensité de courant	0,1	1 = alarme
3	Bit 3:TempAlr	Alarme surchauffe	0,1	1 = alarme
4	Bit 4:PhaseErr	Faute de phase	0,1	1 = Erreur
5	Bit 5:VripplAlr	Alarme tension d'ondulation	0,1	1 = alarme
6	Bit 6:I_HiLimit	Limiteur de courant actif	0,1	1 = limite
7	Bit 7:EksternStop	Entrée d'arrêt externe	0,1	1 = Arrêt
9	Bit 9 : Erreur EEPROM	Erreur dans l'EEPROM (erreur interne)	0,1	1 = Erreur
10	Bit10:SPL_Error	Erreur dans l'interface périphérique de série (SPI) (erreur interne)	0,1	1 = Erreur

## INTERDICTION D'USAGE

Nous déclarons par la présente que ce produit ne doit pas être mis en fonction avant que la machine / le système dans lequel il doit être incorporé ait été entièrement déclaré conforme à toutes les exigences pertinentes de la directive machines 98/37/CEE et tous règlements nationaux applicables. Le produit ne doit pas être mis sous tension avant que toute l'installation soit conforme à TOUTES les directives UE applicables. Le produit comporte une garantie du fabricant s'il est installé en respectant ces instructions pour installation et les règlements d'installation applicables. Si le produit a été endommagé de quelque manière que ce soit, par exemple lors du transport, il doit être contrôlé et vérifié par un personnel autorisé avant tout raccordement à l'alimentation électrique.

## INSTALLATION

Le convertisseur de fréquence est conçu pour être installé dans le cabinet de ventilation et doit être positionné directement dans le débit d'air pour assurer un refroidissement adéquat du convertisseur de fréquence (fig. 1). Il n'est pas nécessaire de démonter le convertisseur de fréquence pour l'installer. Le convertisseur de fréquence est muni de câbles préfabriqués qui sont tous raccordés à l'intérieur du convertisseur de fréquence (fig. 4 & 5).

### Montage de la base

Pour assurer un refroidissement suffisant du convertisseur de fréquence, il doit être installé de façon à ce que l'air du ventilateur puisse passer au travers des ailettes de refroidissement. L'air doit également passer librement entre les ailettes. Le convertisseur de fréquence peut être monté à l'horizontale ou à la verticale sur la paroi interne de l'unité de ventilation ou directement sur la console du ventilateur et il est fixé en place par quatre vis (fig. 9).

### Raccordement du câble du moteur

Le câble du moteur est un câble blindé de longueur adéquate. Il est déjà raccordé à l'intérieur du convertisseur de fréquence et les quatre fils sont munis de cosses pour un raccordement facile, sans problème.

Les fils sont identifiés par code de couleur (fig. 3):

- « Noir » = « U »
- « Brun » = « V »
- « Gris » = « W »
- « Jaune/Vert » = « PE »

### Raccordement de la source d'alimentation

Raccordez un câble d'alimentation sur le connecteur du câble d'alimentation du convertisseur de fréquence.

Pour les modèles 1 x 230 V, raccordez le câble d'alimentation aux bornes « L1 », « N » et « PE » (fig. 2 & 4). Pour les modèles 3 x 400 V, raccordez le câble d'alimentation aux bornes « L1 », « L2 », « L3 » et « PE » (fig. 2 & 4).



**Registre d'attente (longueur = 18)**

Adresse	Description	Min.	Max.	Remarques	Usine
0	PrcSet	0 (0 %)	10 000 (100 %)	Consigne de vitesse en % d'intervalle minimum/maximum	n/d
1	MinHz	0 (0 %)	5 000 (50 Hz)	Vitesse minimum (fréquence)	10 Hz
2	MaxHz	0 (0 %)	15 000 (150 Hz)	Vitesse maximum (fréquence)	82 Hz
3	UpRampTime	0 (0 s)	200 (200 s)	Montée en rampe (secondes)	40 s
4	DownRampTime	0 (0 s)	200 (200 s)	Descente en rampe (secondes)	40 s
5	VloAlrLimit	0 (0 V)	600 (1 000 V)	Alarme de sous-tension	280 V
6	VhiAlrLimit	0 (0 V)	1 000 (1 000 V)	Alarme de surtension	400 V
7	MaxIout	0 (0 A)	20 000 (20,0 A)	Courant de sortie maximum	6 A
8	IoutAlrLimit	0 (0 A)	20 000 (20,0 A)	Alarme de limite pour courant maximum	10 A
9	VrippleAlrLimit	0 (0 V)	200 (200 V)	Alarme de limite pour tension d'ondulation maximum	50 V
A	SwitchMode	0 (3 kHz)	2 (18 kHz)	Fréquence de commutation (4,5 / 9 / 18 kHz)	0 (4,5 kHz)
B	UminHz	0 (0 V)	100 (100 V)	Tension à fréquence minimum	25 V
C	FreqUmax	0 (Hz)	15 000 (150 Hz)	Fréquence à tension maximum	70 Hz
D	Umax	240 (240 V)	400 (400 V)	Tension maximum	240/400 V
E	ExpSet	1 (linéaire)	100 (quadratique)	Rapport tension/fréquence	50
F	UsedSetup	0 (type utilisateur)	-1 (sauvegarde EEPROM)	Bloc de paramètre	0
10	MinBrakeTime	0 (0 s)	100 (100 s)	Temps minimum de freinage	15 s
11	MaxBrakeTime	0 (0 s)	100 (100 s)	Temps maximum de freinage	40 s

**Registre d'entrée (longueur = 10)**

Adresse	Description	Min.	Max.	Remarques	Usine
0	UsedSetup	n/d	n/d		
1	FV-swver	n/d	n/d		
2	Swver	n/d	n/d		
3	PrcOut	0 (0 %)	10 000 (100 %)	Vitesse en %	n/d
4	HzOut	0 (0 %)	15 000 (150 Hz)	Vitesse en Hz (fréquence)	n/d
5	InternTemp	0 (0 °C)	120 (120 °C)	Température dans le module de puissance (section du haut)	n/d
6	Vout	0 (0 V)	1 000 (1 000 V)	Tension CC	n/d
7	Iout	0 (0 A)	20 000 (20,0 A)	Courant moteur	n/d
8	Power	0 (0 kW)	15 000 (15,0 kW)	Puissance	n/d
9	EksternSet	0 (0 %)	10 000 (100 %)	Entrée point de consigne externe (0-10 V CC)	n/d

**Raccordement Modbus**

Raccordez le câble Modbus de l'OJ Air2 Fan IO au connecteur RJ12 qui est déjà raccordé à la douille Modbus dans le convertisseur de fréquence (fig. 5 & 6).

S'il est nécessaire d'allonger le câble de communication Modbus, un câble standard télécom du type MPFK6S ou un câble plat similaire doit être utilisé. Un câble de rallonge croisé de catégorie 3, RJ12-RJ12 6P6C (No OJ 81257), peut être utilisé.

Introduisez le câble Modbus dans le convertisseur de fréquence par l'ouverture incorporée à la base du convertisseur de fréquence. La petite pièce de mousse de caoutchouc par-dessus laquelle le câble passe ne doit pas être enlevée, car elle agit comme scellement de l'entrée du câble. Fixez le câble Modbus à l'aide de la pince à câble de décharge de traction située à côté de l'entrée du câble.

**Montage du couvercle**

Placez le couvercle qui accompagne le convertisseur de fréquence par-dessus la base. Insérez les trois connecteurs des fils du couvercle dans les douilles correspondantes de la base. Fixez le couvercle en position à l'aide de quatre vis (fig. 9).

**CARACTÉRISTIQUES TECHNIQUES**
**Entrées**

Tension d'alimentation.....1x230/3x400 V CA -10/+ 15 %, 50/60 Hz  
 Modbus RTU ..... 1 x RJ12 6P6C

**Sorties**

Tension de sortie ..... Tension d'impulsion CA (PWM)  
 Fréquence de sortie.....10-200 Hz  
 Tension de sortie à fréquence maximum ..... 10-97 %  
 Rapport tension/fréquence ..... Linéaire/quadratique  
 Fréquence de commutation ..... 4,5 kHz (peut être réglée à 9 ou 18 kHz)

## Autres données

Type	Puissance 1 x 230 V CA		Courant max.	Fusible max.	Dimen- sions	Poids (kg)
	Fourni	Arbre				
FC075	1,0 kW	0,75 kW	3 x 4,5 A	3 x 16 A	Fig. 9	4,6
FC110	1,4 kW	1,1 kW	3 x 5,5 A	3 x 16 A	Fig. 9	4,6
FC150	2,0 kW	1,5 kW	3 x 6,0 A	3 x 16 A	Fig. 9	4,6

Type	Puissance 3 x 230 V CA		Puissance 3 x 400 V CA		Courant max.	Fusible max.	Dimen- sions	Poids (kg)
	Fourni	Arbre	Fourni	Arbre				
FC322-230	2,6 kW	2,2 kW			3 x 10 A	3 x 25 A	Fig. 9	4,6
FC322			2,6 kW	2,2 kW	3 x 7 A	3 x 25 A	Fig. 9	4,6
FC330			3,6 kW	3,0 kW	3 x 10 A	3 x 25 A	Fig. 9	4,6
FC340	3,8 kW	3,0 kW	4,8 kW	4,0 kW	3 x 12 A	3 x 25 A	Fig. 10	5,4
FC355	5,1 kW	4,0 kW	6,6 kW	5,5 kW	3 x 15 A	3 x 25 A	Fig. 10	5,4

## Environnement

Norme du boîtier ..... IP 54  
Humidité de l'air ambiant ..... 10-95 % RH, sans condensation  
Température ambiante..... - 30 - + 50 °C (démarrage) / -20 - + 40 °C (fonctionnement)  
Refroidissement ..... Le convertisseur de fréquence doit être installé dans le débit d'air.

## FONCTIONNEMENT

### Contrôle du convertisseur de fréquence

Le convertisseur de fréquence peut être contrôlé par Modbus.

### Contrôle par Modbus

Voir la section « Modbus » de ces instructions.

## INDICATION PAR DEL

Le convertisseur de fréquence est muni de deux DEL intégrées (fig. 7) qui possèdent les fonctions suivantes :

- DEL d'alarme (DEL 1) s'allume en cas d'alarmes.
- DEL com. (DEL 2) clignote quand les données sont reçues correctement.

## Mesures de sécurité

Le convertisseur de fréquence est protégé contre les courts-circuits de phase à phase et est muni d'un limiteur de courant pour protéger le moteur. Les exigences de renforcement d'isolation (3750 V quadratiques) ont été respectées.

C'est la responsabilité de l'électricien faisant l'installation de l'appareil d'assurer une mise à la terre adéquate et toute autre protection requise par les normes et règlements locaux qui sont applicables. Des dispositifs différentiels à courant résiduel (DDR), des mises à la terre multiples ou standards peuvent être utilisés comme précautions supplémentaires pour autant qu'ils satisfassent les exigences des règlements de sécurité locaux. Les courants de fuite à la terre sont plus élevés que 3,5 mA. L'appareil requiert donc une installation permanente fixe et une mise à la terre renforcée.

*Noter ! Quand des fautes à la terre se produisent, le courant de faute peut contenir une composante CC. Si des DDR sont utilisés, ils doivent donc être capables de détecter de tels courants et doivent être installés en conformité avec les règlements locaux et internationaux applicables.*

## SERVICE ET ENTRETIEN

Aucune maintenance spéciale n'est requise.

Veuillez communiquer avec votre fournisseur si un défaut apparaît.

## ALARME

Si un état d'alarme survient, le convertisseur de fréquence est arrêté et la DEL alarme (DEL 1) s'allume.

Quand l'état d'alarme est terminé, l'alarme est automatiquement réinitialisée et le convertisseur de fréquence est redémarré.

Si le nombre maximum de redémarrages (5 fois) est dépassé, l'alarme doit être réinitialisée manuellement.

L'alarme est réinitialisée par impulsion au CoilStatBit, adresse 1 = « 1 ».

Si l'alimentation est coupée, l'alarme est réinitialisée automatiquement.

## MISE AU REBUT ET PROTECTION DE L'ENVIRONNEMENT

Aidez à la protection de l'environnement en jetant l'emballage et les produits superflus de façon responsable.

## Mise au rebut de produits



Les produits marqués de ce symbole ne doivent pas être rebutés avec les déchets domestiques, mais doivent être livrés à un centre de collecte de rebus en conformité avec les règlements locaux en vigueur.

## OJ ELECTRONICS A/S

Stenager 13B · DK-6400 Sønderborg  
Tél. : +45 73 12 13 14 · Fax +45 73 12 13 13  
oj@ojelectronics.com · www.ojelectronics.com

## HOMOLOGATION CE

OJ Electronics A/S déclare par les présentes que le produit est fabriqué en conformité à la directive européenne 92/31/CEE (et amendements subséquents) concernant la compatibilité électromagnétique et à la directive 73/23/CEE relative à des équipements électriques conçus pour utilisation avec certaines limites de tension.

## Normes appliquées

EN 61800-2

« Systèmes d'entraînements électriques de puissance à vitesse variable. Partie 2 : Exigences générales. »

## DIRECTIVE CEM

ÉMISSION CEM EN 61000-6-3:2001

IMMUNITÉ CEM EN 61000-6-2:2001

Le produit ne peut être utilisé que lorsque l'installation dans son ensemble est conforme aux directives applicables. Le produit bénéficie d'une garantie constructeur (du fabricant) s'il est installé conformément aux présentes instructions et à la législation en vigueur.

Si le produit a subi un dommage par impact physique, par ex. pendant le transport, il doit être inspecté et vérifié par le personnel autorisé avant d'être utilisé et raccordé à un bloc d'alimentation.

## DIAGNOSTIC DE PANNES

### Ouverture du convertisseur de fréquence

L'alimentation doit avoir été coupée pendant au moins 2 minutes avant l'ouverture du convertisseur de fréquence. Autrement, l'appareil peut contenir un courant résiduel capable de causer de sérieuses blessures.

#### Recherche de panne quand le convertisseur de fréquence est contrôlé par des signaux externes :

Symptôme	Cause	Action
Moteur inopérant	Défaut de la tension d'alimentation	Vérifier la tension d'alimentation du convertisseur de fréquence : Les bornes « L » et « N » sur les modèles à 230 V ; « L1 », « L2 » et « L3 » sur les modèles 3 x 400 V et 3 x 230 V. (La bonne tension d'alimentation est indiquée sur la plaque signalétique sur le côté du convertisseur de fréquence).
	Signal d'opération manquant	0001H: Bit 0: Moteur ON/OFF (1 = On) 0-1
	Mauvais raccordements électriques	Vérifier les connecteurs à broches et tout autre raccord électrique.
	Manque de consigne de vitesse	0001H: PrcSet 0-10 000 ( 0-100,00 %)
	La protection interne du moteur a coupé 5 fois à cause de surcharge	0002H: Bit 1: Réarmement (1 = réarmement/impulsion) 0-1 L'alarme peut aussi être réarmée en coupant la source d'alimentation et en la rebranchant à nouveau après environ 15 secondes.
	Faute du convertisseur de fréquence	Remplacer le convertisseur de fréquence.
Moteur défectueux	Remplacer le moteur.	
Convertisseur de fréquence plus bruyant qu'acceptable	Fréquence de commutation trop basse	Augmenter la fréquence de commutation 000BH: Mode de commutation 0 = bas, 1 = moyen, 2 = haut 0, 1, 2 fréquence Augmenter la fréquence de commutation accroît les pertes d'énergie dans le moteur. Le moteur devient alors moins efficace et moins économique à faire fonctionner.
Le convertisseur de fréquence coupe	Au moins 2 phases court-circuitées sur les bornes du moteur	Éliminez le court-circuit sur les bornes* du moteur.
	Moteur défectueux	Remplacer le moteur*.
	Moteur surchargé	Éliminez la surcharge* du moteur.

\* Remarque : Souvenez-vous de réarmer l'alarme en réglant 0002H : Bit 1: Réarmement (1 = réarmement/impulsion) 0-1

L'alarme peut aussi être réarmée en coupant la source d'alimentation et en la rebranchant à nouveau après environ 15 secondes.

**FIGURÖVERSIKT**

Följande figurer finns längst bak i anvisningen:

- Figur 1: Placering i luftflödet  
 Figur 2: Matningsanslutning  
 Figur 3: Färgkod motoranslutning  
 Figur 4: Förkonfektionerade kablar  
 Figur 5: Intern plintanslutning  
 Figur 6: Styrning med OJ Air2 Fan IO  
 Figur 7: LED-indikeringar  
 Figur 8: Mått FC-W bottendel  
 Figur 9: Mått FC-W komplett 0,75-3,30 kW  
 Figur 10: Mått FC-W komplett 4,0-5,50 kW  
 Figur 11: Förhållandet mellan börvärdet och min/max frekvens

**ALLMÄNT**

Frekvensomvandlarna OJ FC-W används för styrning av hastigheten på en 3-fas standard asynkron växelströmsmotor i en fläkt. På grund av kylningen ska frekvensomvandlaren placeras direkt i fläktens luftflöde. Se fig. 1. Frekvensomvandlaren kan monteras på vägg eller direkt på motorkonsolen. Den helgjutna aluminiumkapslingen gör den mycket robust, vilket innebär att den inte skadas eller förstörs av vibrationer. Frekvensomvandlaren styrs via Modbus RTU och kan därför helintegreras i OJ Air2-systemet. Drift- och gränsparemetrarna är lätta att anpassa till den aktuella fläkten via Modbus. Frekvensomvandlaren har ett inbyggt EMC-filtrer för att säkerställa problemfri drift och låga installationskostnader. Frekvensomvandlaren är lätt att öppna och det finns gott om utrymme i samband med service och underhåll.

**FUNKTION**

Frekvensomvandlaren styr motorn genom att ändra frekvensen och spänningen. Frekvensomvandlarens utgångssignal baseras på principen "space vector". Spänningen kan ändras linjärt eller kvadratisk som funktion av frekvensen, och spännings/frekvensförhållandet kan ställas in för optimal magnetiseringsström i motorn. Därmed kan energiförbrukningen och bullernivån reduceras till ett minimum. Switchfrekvensen är fabriksinställd på 4,5 kHz (låg) och kan ställas in på 9 kHz (medel) och 18 kHz (hög). Om switchfrekvensen ökas ökar också förlusterna samtidigt som motorns verkningsgrad sänks, men samtidigt reduceras också det hörbara akustiska bullret. Frekvensomvandlaren har som standard följande inbyggda funktioner:

- Modbus RTU
- Flygande start i båda riktningarna
- Automatisk återstart (5x) vid t.ex. över-/underspänningar
- Larm när inställt antal (5x) återstartförsök överskrids
- Larm för överlast, överspänning och underspänning
- Motorskydd med inbyggd strömbegränsning
- Kortslutningsskyddade frekvensomvandlarutgångar

**PRODUKTPROGRAM****Frekvensomvandlare**

Typ	Produkt
OJ-FC0.75	FC 0,75 kW, 1 x 230 V
OJ-FC110	FC 1,10 kW, 1 x 230 V
OJ-FC150	FC 1,50 kW, 1 x 230 V
OJ-FC322	FC 2,20 kW, 3 x 400 V
OJ-FC322-230	FC 2,20 kW, 3 x 230 V
OJ-FC330	FC 3,00 kW, 3 x 400 V
OJ-FC340	FC 4,00 kW, 3 x 400 V / 3,00 kW, 3 x 230 V
OJ-FC355	FC 5,50 kW, 3 x 400 V / 4,00 kW, 3 x 230 V

**MODBUS**

Frekvensomvandlaren styrs via Modbus från t.ex. en OJ Air2 Fan IO, och Modbuskabeln ansluts till RJ12-kontakten märkt "B". Adresseringen av frekvensomvandlaren sker från OJ Air2 Fan IO genom "B"-kontakten. Frekvensomvandlaren har adresseringsområdet 0x48 (72), 0x49 (73), 0x4C (76) och 0x4D (77). Kommunikationsprotokollet är: 38,4 kBAud, 1 startbit, 8 databitar, 1 stopbit och ingen paritet.

**MODBUSKOMMANDON SOM STÖDS****Coil Stat Bit (Length = 2)**

Adress	Funktion	Dataområde	Aktiv nivå
0	Bit0: Motor ON/OFF (1 = ON)	0,1	1 = ON
1	Bit1: Reset (1=Reset/Pulse)	0,1	1 = Reset
2	Save setup to EEPROM	0,1	1 = Save
3	Load setup from EEPROM	0,1	1 = Load

**Input Stat Bit (Length = 8)**

Adr.	Bitnamn	Beskrivning	Dataområde	Aktiv nivå
0	Bit0:V_LoAlr	V-mellankrets LoLimit larm	0,1	1 = Alarm
1	Bit1:V_HiAlr	V-mellankrets HiLimit larm	0,1	1 = Alarm
2	Bit2:L_HiAlr	Överströmslarm	0,1	1 = Alarm
3	Bit3:TempAlr	Övertemperaturlarm	0,1	1 = Alarm
4	Bit4:PhaseErr	Fasfel	0,1	1 = Error
5	Bit5:VrippelAlr	Rippelspänningslarm	0,1	1 = Alarm
6	Bit6:L_HiLimit	Strömbegränsare aktiv	0,1	1 = Limit
7	Bit7:EksternStop	Ingång externt stopp	0,1	1 = Stop
9	Bit9: EEPROM Error	Fel i EEPROM (internt fel)	0,1	1 = Error
10	Bit10:SPI_Error	Fel i Serial Peripheral Interface (SPI) (Internt fel)	0,1	1 = Error

**FÖRBUD MOT DRIFTSTART**

Det är förbjudet att starta driften tills hela den maskin/produkt där den ovan nämnda produkten byggs in förklaras överensstämmande med relevanta bestämmelser i Maskindirektivet 98/37/EG samt med eventuellt förekommande nationell lagstiftning. Produkten får inte spänningssättas förrän hela installationen uppfyller kraven i ALLA relevanta EG-direktiv. Produkten täcks av fabriksgarantin när den är installerad enligt denna installationsanvisning och gällande installationsföreskrifter. Om produkten har utsatts för skada, t.ex. under transport, ska den undersökas och repareras av behörig personal innan spänningen ansluts till produkten.

**INSTALLATION**

Frekvensomvandlaren är avsedd att monteras internt i ett ventilationsaggregat och ska, på grund av kylningen av frekvensomvandlaren, monteras direkt i luftflödet. Se fig. 1.

Frekvensomvandlaren behöver inte öppnas när den monteras. Frekvensomvandlaren är försedd med förkonfektionerade kablar, som alla är anslutna inne i frekvensomvandlaren. Se fig. 4 och 5.

**Montering av bottendelen**

För att säkerställa tillräcklig kylning av frekvensomvandlaren ska den monteras så att fläktens luftflöde passerar förbi kylflänsarna och att det är fri passage mellan dem. Frekvensomvandlaren kan monteras antingen horisontellt eller vertikalt inne i ventilationsanläggningen eller direkt på fläktkonsolen. Den ska fästas med fyra skruvar. Se fig. 9.

**Montering av motorkablar**

Motorkabeln är internt ansluten i frekvensomvandlaren med skärmd kabel i lämplig längd. Kabelns fyra ledare är alla försedda med kabelsko för enkel och problemfri montering.

Ledarna är färgkodade. Se fig. 3.

- "Svart" = "U"
- "Brun" = "V"
- "Grå" = "W"
- "Gul/Grön" = "PE"

**Montering av matning**

Matningskabeln ska anslutas till frekvensomvandlarens anslutningskontakt, som är förkonfektionerad i frekvensomvandlaren.

Matningskabeln ska anslutas till plintarna "L1" och "N" samt "PE" för modellerna 1 x 230 V. Se fig. 2 och 4. För modellerna 3 x 400 V ska matningskabeln anslutas till "L1", "L2" och "L3" samt "PE". Se fig. 2 och 4.

**Montering av Modbus**

Modbuskabeln från OJ Air2 Fan IO ska anslutas till frekvensomvandlaren med RJ12-kontakten, som är internt ansluten i frekvensomvandlaren till kontakten "MODBUS". Se fig. 5 och 6.

Om Modbuskommunikationskabeln behöver skarvas ska detta göras med en standard telefonkabel typ MPFK6S eller motsvarande flatkabel. Du kan använda en korsad skarvsladd kategori 3, RJ12-RJ12 6P6C (OJ nr. 81257).

**HoldingReg (Length = 18)**

Adress	Beskrivning	Min	Max	Kommentar	Fabrik
0	PrcSet	0 (0 %)	10 000 (100 %)	Hastighetsbörvärde i % av intervallet min/max	Används ej
1	MinHz	0 (0 %)	5 000 (50 Hz)	Lägsta hastighet (frekvens)	10 Hz
2	MaxHz	0 (0 %)	15 000 (150 Hz)	Maximal hastighet (frekvens)	82 Hz
3	UpRampTime	0 (0 s)	200 (200 s)	Upprampningstid (sekunder)	40 s
4	DownRampTime	0 (0 s)	200 (200 s)	Nedrampningstid (sekunder)	40 s
5	VloAlrLimit	0 (0 V)	600 (1 000 V)	Underspänningslarm	280 V
6	VhiAlrLimit	0 (0 V)	1 000 (1 000 V)	Överspänningslarm	400 V
7	MaxIout	0 (0 A)	20 000 (20,0 A)	Utgång max ström	6 A
8	IoutAlrLimit	0 (0 A)	20 000 (20,0 A)	Larmgräns för max ström	10 A
9	VrippleAlrLimit	0 (0 V)	200 (200 V)	Larmgräns för max rippelspänning	50 V
A	SwitchMode	0 (3 kHz)	2 (18 kHz)	Switchfrekvens (4,5 / 9 / 18 kHz)	0 (4,5 kHz)
B	UminHz	0 (0 V)	100 (100 V)	Spänning vid min frekvens	25 V
C	FreqUmax	0 (Hz)	15 000 (150 Hz)	Frekvens vid max spänning	70 Hz
D	Umax	240 (240 V)	400 (400 V)	Max spänning	240/400 V
E	ExpSet	1 (linjär)	100 (kvadratisk)	Spänning/frekvensförhållandet	50
F	UsedSetup	0 (Användartyp)	-1 (spara i EEPROM)	Parameterblock	0
10	MinBrakeTime	0 (0 s)	100 (100 s)	Minsta bromstid	15 s
11	MaxBrakeTime	0 (0 s)	100 (100 s)	Max bromstid	40 s

**InputReg (Length = 10)**

Adress	Beskrivning	Min	Max	Kommentar	Fabrik
0	UsedSetup	Används ej	Används ej		
1	FV-swver	Används ej	Används ej		
2	Swver	Används ej	Används ej		
3	PrcOut	0 (0 %)	10 000 (100 %)	Hastighet i %	Används ej
4	HzOut	0 (0 %)	15 000 (150 Hz)	Hastighet i Hz (frekvens)	Används ej
5	InternTemp	0 (0 °C)	120 (120 °C)	Temperatur i kraftmodulen (överdelen)	Används ej
6	Vout	0 (0 V)	1 000 (1 000 V)	Likspänning (DC)	Används ej
7	Iout	0 (0 A)	20 000 (20,0 A)	Motorström	Används ej
8	Effekt	0 (0 kW)	15 000 (15,0 kW)	Effekt (Power)	Används ej
9	EksternSet	0 (0 %)	10 000 (100 %)	Externt börvärde ingång (0 – 10 V DC)	Används ej

Modbuskabeln dras in i frekvensomvandlaren genom slitsen som är gjuten i frekvensomvandlaren botten del. Den lilla biten skumgummi Modbuskabeln leds in över får inte tas bort, eftersom den fungerar som tätning för Modbuskabelinföringen. Modbuskabeln ska dragavlastas med kabelbygeln som är placerad omedelbart vid införingen.

**Montering av överdelen**

Den tillhörande överdelen för frekvensomvandlaren ska placeras uppe på botten delen. De tre kontaktarna på lockets kablar ska monteras i motsvarande kontakter på botten delen. Överdelen ska fästas med fyra skruvar. Se fig. 9.

**TEKNISKA DATA**
**Ingångar**

Strömförsörjning.....1 x 230/3 x 400 V AC -10/+15 %, 50/60 Hz  
Modbus RTU ..... 1 x RJ12 6P6C

**Utgångar**

Utgångsspänning .....Pulserande växelspanning (PBM)  
Utgångsfrekvens ..... 10 – 200 Hz  
Utgångsspänning vid max frekvens ..... 10 – 97 %  
Spänning/frekvensförhållande..... Linjärt / kvadratisk  
Switchfrekvens ..... 4,5 kHz (kan ställas in mellan 9 och 18 kHz)

**Övriga data**

Typ	Effekt 1 x 230 V AC		Max ström	Max säkring	Mått	Vikt (kg)
	Tillförd	Axel				
FC075	1,0 kW	0,75 kW	3 x 4,5 A	3 x 16 A	Fig. 9	4,6
FC110	1,4 kW	1,1 kW	3 x 5,5 A	3 x 16 A	Fig. 9	4,6
FC150	2,0 kW	1,5 kW	3 x 6,0 A	3 x 16 A	Fig. 9	4,6

Typ	Effekt 3 x 230 V AC		Effekt 3 x 400 V AC		Max ström	Max säkring	Mått	Vikt (kg)
	Tillförd	Axel	Tillförd	Axel				
FC322-230	2,6 kW	2,2 kW			3 x 10 A	3 x 25 A	Fig. 9	4,6
FC322			2,6 kW	2,2 kW	3 x 7 A	3 x 25 A	Fig. 9	4,6
FC330			3,6 kW	3,0 kW	3 x 10 A	3 x 25 A	Fig. 9	4,6
FC340	3,8 kW	3,0 kW	4,8 kW	4,0 kW	3 x 12 A	3 x 25 A	Fig. 10	5,4
FC355	5,1 kW	4,0 kW	6,6 kW	5,5 kW	3 x 15 A	3 x 25 A	Fig. 10	5,4



## Miljö

Kapslingsklass..... IP54  
Luftfuktighet ..... 10 – 95 % - ej kondenserande  
Omgivningstemperatur..... -30 - +50 °C (start) / -20 - +40 °C (drift)  
Kylning..... Frekvensomvandlaren ska monteras i luftflödet

## DRIFT

### Styrning av frekvensomvandlaren

Frekvensomvandlaren kan styras med Modbus.

### Styrning med Modbus

Se under avsnittet "Modbus" i denna anvisning.

## LED-INDIKERINGAR

Frekvensomvandlaren har två inbyggda lysdioder (fig. 7) med följande funktioner:

- Larmlysdioden (LED1) lyser vid larm
- COM-lysdioden (LED2) blinkar varje gång enheten tar emot korrekta data.

## Säkerhetsfunktioner

Frekvensomvandlaren är kortslutningsskyddad mot kortslutning fas-fas och har inbyggd strömbegränsning som skydd för motorn. Kravet på förstärkt isolering på 3 750 Vrms är uppfyllt.

Det är elinstallatörens ansvar att säkerställa korrekt jordning samt skydd enligt gällande lokala normer och föreskrifter. Jordfelsbrytare, multipel-skyddsjordning eller vanlig jordning kan användas som extra skydd, under förutsättning att de lokala säkerhetsföreskrifterna uppfylls. Jordläckströmmarna överstiger 3,5 mA. Det krävs därför en fast, permanent installation och förstärkt skyddsjordning.

*OBS! Vid jordfel kan det finnas en likströmskomponent i felströmmen. Jordfelsbrytare ska därför vara avsedda att kunna upptäcka detta och installeras enligt gällande nationella och internationella föreskrifter, där de används.*

## SERVICE OCH UNDERHÅLL

Frekvensomvandlaren kräver inget särskilt underhåll. Kontakta leverantören om det uppstår problem.

## LARM

Frekvensomvandlaren stannar vid larm, och larmlysdioden (LED1) tänds.

När felet försvinner återställs larmet automatiskt, och frekvensomvandlaren startar igen.

Om det maximala antalet återstarter (5x) överskrids ska larmet återställas. Du återställer larmet genom att pulsa ColStatBit, adress 1 = "1".

Larmet återställs automatiskt om nätspänningen bryts.

## FELSÖKNING

### Öppna frekvensomvandlaren

Innan du öppnar frekvensomvandlaren ska strömförsörjningen ha varit bruten i minst 2 minuter, eftersom det annars kommer att finnas livsfarliga restspänningar i apparaten.

### Felsökning när frekvensomvandlaren styrs med externa signaler:

Symptom	Orsak	Åtgärd
Motorn roterar inte	Matningsspänning saknas	Kontrollera att det finns spänning på frekvensomvandlaren, plintarna "L" och "N" på modeller för 230 V. "L1", "L2" och "L3" på modeller för 3 x 400 V och 3 x 230 V. (Frekvensomvandlaren spänning anges på märkskylten, som är placerad på frekvensomvandlaren sida).
	Driftsignal saknas	0001H: Bit 0: Motor ON/OFF (1 = ON) 0 - 1
	Dåliga elanslutningar	Kontrollera anslutningskontaktarna och andra elanslutningar.
	Börvärde för hastigheten saknas	0001H: PrcSet 0 – 10 000 (0 - 100,00 %)
	Motorn har stängts av 5 gånger av det interna motorskyddet på grund av överlast	0002H: Bit 1: Återställning (1 = Återställning/puls) 0-1 Larmet kan också återställas genom att stänga av matningsspänningen till frekvensomvandlaren och slå på den igen efter ca 15 sekunder.
	Defekt frekvensomvandlare	Byt frekvensomvandlaren.
Defekt motor	Byt motorn.	
Frekvensomvandlaren bullernivå överstiger den acceptabla	För låg switchfrekvens	Öka switchfrekvensen. 000BH: SwitchMode 0 = Low, 1 = Medium, 2 = High 0, 1, 2 frekvens När du ökar switchfrekvensen ökar också förlusterna i motorn, och motorn får därför lägre verkningsgrad och sämre driftekonomi.

## MILJÖ OCH AVFALLSHANTERING

Hjälp till att skydda miljön genom att ta hand om emballage och använda produkter enligt gällande miljöföreskrifter.

## Bortskaffning av produkten



Produkter med detta märke får inte kastas som vanliga hushållsso-por. De ska samlas in separat enligt gällande lokala regler.

## OJ Electronics A/S

Stenager 13B, DK-6400 Sønderborg, Danmark  
Tel. +45 73 12 13 14 · Fax +45 73 12 13 13  
oj@ojelectronics.com · www.ojelectronics.com

## CE-MÄRKNING

OJ Electronics förklarar under eget ansvar att denna produkt uppfyller Rådets direktiv 92/31/EG med följande ändringar om elektrisk kompatibilitet samt Rådets direktiv 73/23/EG om elektrisk materiel för användning inom vissa spänningsgränser.

## Använda normer

SS-EN-61800-2

"Elektriska motordrifter med variabel hastighet, allmänna krav"

## EMC-DIREKTIVET

EMC-EMISSION SS-EN 61000-6-3:2001

EMC-IMMUNITET SS-EN 61000-6-2:2001

Produkten får bara användas när hela installationen uppfyller kraven i gällande direktiv. Först när produkten är installerad enligt denna anvisning och gällande installationsföreskrifter omfattas den av fabriksgarantin. Om produkten har utsatts för fysisk överlast eller har skadats, t.ex. vid transport, ska produkten undersökas och kontrolleras av kvalificerad personal innan den används och ansluts till matningsspänningen.

# Norsk

## FIGUROVERSIKT

Fig. figurer finnes bakerst i instruksjonen:

Figur 1: Plassering i luftstrøm

Figur 2: Nettilkobling

Figur 3: Fargekode motortilkobling

Figur 4: Forkonfeksjonerte kabler

Figur 5: Intern klemmetilkobling

Figur 6: Styling med OJ Air2 Fan IO

Figur 7: LED-visninger

Figur 8: Mål FC-W bunddel

Figur 9: Mål FC-W komplett 0,75-3,30 kW

Figur 10: Mål FC-W komplett 4,0-5,50 kW

Figur 11: Forholdet mellom settpunkt og min./maks. frekvens

## GENERELT

OJ-FC-W frekvensomformere benyttes til styring av hastigheten på en 3-faset standard asynkron AC-motor på en vifte. Av hensyn til kjølingen må frekvensomformeren plasseres direkte i luftstrømmen til viften (fig. 1). Frekvensomformeren kan monteres på vegg eller direkte på motorens konsoll og er via sin helstøpte aluminiumskapsling særdeles robust, slik at vibrasjoner ikke ødelegger eller skader den. Frekvensomformeren styres via Modbus RTU og kan dermed integreres helt i OJ Air2-systemet. Drifts- og grenseparametre kan lett tilpasses den aktuelle viften via Modbus. For å sikre problemfri drift og lave installasjonskostnader har frekvensomformeren innebygd EMC-filter. Frekvensomformeren er enkel å åpne, og det er riktig god plass i forbindelse med service og ettersyn.

## FUNKSJON

Frekvensomformeren styrer motoren ved å endre frekvens og spenning. Frekvensomformerens utgangssignal er basert på "space vector"-prinsippet. Spenningen kan endres lineært eller kvadratisk som funksjon av frekvensen, og spenning/frekvens-forholdet kan innstilles til optimal magnetiseringsstrøm i motoren. Dermed kan energiforbruk og støynivå reduseres til lavest mulig nivå. Switchfrekvensen er fabrikkinnstilt til 4,5 kHz (lav) og kan innstilles til 9 kHz (mellom) og 18 kHz (høy). Økes switchfrekvensen, økes tapene og motorens virkningsgrad reduseres, men samtidig reduseres eventuell hörbar akustisk støy.

Frekvensomformeren har som standard følgende innebygde funksjoner:

- Modbus RTU
- Flygende start i begge retninger
- Automatisk omstart (5x) ved f.eks. over-/underspenninger
- Alarm når innstilt antall (5x) omstartforsøk overskrides
- Alarm for overlast, overspenning og underspenning
- Motorvern med innebygd strømbegrensning
- Kortslutningsverned frekvensomformerutganger

## PRODUKTPROGRAM

### Frekvensomformer

Type	Produkt
OJ-FC0.75	FC 0,75 kW, 1x230 V
OJ-FC110	FC 1,10 kW, 1x230 V
OJ-FC150	FC 1,50 kW, 1x230 V
OJ-FC322	FC 2,20 kW, 3x400 V
OJ-FC322-230	FC 2,20 kW, 3x230 V
OJ-FC330	FC 3,00 kW, 3x400 V
OJ-FC340	FC 4,00 kW, 3x400 V / 3,00 kW, 3x230 V
OJ-FC355	FC 5,50 kW, 3x400 V / 4,00 kW, 3x230 V

## MODBUS

Frekvensomformeren styres via Modbus fra for eksempel en OJ Air2 Fan IO, og Modbuskabelen kobles til RJ12-Modbuskontakt merket med "B". Adresseringen av frekvensomformeren foretas fra OJ Air2 Fan IO gjennom "B"-kontakten.

Frekvensomformeren har adresseområdet 0x48 (72), 0x49 (73), 0x4C (76) og 0x4D (77) og kommunikasjonsprotokollen er: 38,4 kBaund, 1 startbit, 8 databits, 1 stoppbit, ingen paritet.

## STØTTEDE MODBUSSKOMMANDOER

### Coil Stat Bit (Length = 2)

Adresse	Funksjon	Dataområde	Aktivt nivå
0	Bit0: Motor ON/OFF (1=ON)	0,1	1 = ON
1	Bit1: Reset (1=Reset/Pulse)	0,1	1 = Reset
2	Save setup to EEPROM	0,1	1 = Save
3	Load setup from EEPROM	0,1	1 = Load

### Input Stat Bit (Length = 8)

Adr.	Bitnavn	Beskrivelse	Dataområde	Aktivt nivå
0	Bit0:V_LoAlr	V-mellomkrets LoLimit Alarm	0,1	1 = Alarm
1	Bit1:V_HiAlr	V-mellomkrets HiLimit Alarm	0,1	1 = Alarm
2	Bit2:I_HiAlr	Overstrømsalarm	0,1	1 = Alarm
3	Bit3:TempAlr	OverTemp-alarm	0,1	1 = Alarm
4	Bit4:PhaseErr	Fasefeil	0,1	1 = Error
5	Bit5:VrippelAlr	Vripple-alarm	0,1	1 = Alarm
6	Bit6:I_HiLimit	Strømbegrenser aktiv	0,1	1 = Limit
7	Bit7:EksternStop	Ekstern Stopp-inngang	0,1	1 = Stop
9	Bit9: EEPROM Error	Feil i EEPROM (intern feil)	0,1	1 = Error
10	Bit10:SPI_Error	Feil i Serial Peripheral Interface (SPI) (intern feil)	0,1	1 = Error

## FORBUD MOT IGANGSETTING

Det erklæres forbud mot igangsetting inntil den maskinen/produktet som ovenfor nevnte produkt skal utgjøre en del av, i sin helhet er erklært i overensstemmelse med alle relevante bestemmelser av Maskindirektivet 98/37/EØF samt nasjonal lovgivning ifølge det danske Arbejdstilsynets forskrift 561/94. Det må først kobles strøm til produktet når hele installasjonen overholder kravene i ALLE relevante EU-direktiver. Når produktet er installert i henhold til denne installasjonsveiledningen og gjeldende installasjonskrav, er produktet dekket av fabrikkgarantien. Hvis produktet har vært utsatt for skade, f.eks. under transport, må det undersøkes og repareres av autorisert personell innen det kobles strøm til produktet.

## INSTALLASJON

Frekvensomformeren er designet til montering internt i et ventilasjonsaggregat og må, av hensyn til avkjøling av frekvensomformeren, monteres direkte i luftstrømmen (fig. 1).

Det er ikke nødvendig å demontere frekvensomformeren i forbindelse med montering. Frekvensomformeren er utstyrt med forkonfeksjonerte kabler, som alle er koblet sammen internt i frekvensomformeren (fig. 4 og 5).

### Montering av bunddel

For å sikre tilstrekkelig kjøling av frekvensomformeren må den monteres slik at luftstrømmen fra viften passerer forbi kjøleribbene, og at det er fri passasje mellom dem. Frekvensomformeren kan enten monteres horisontalt eller vertikalt på den innvendige siden av ventilasjonsanlegget eller direkte på viftekonsollen og festes med 4 skruer (fig. 9).

### Montering av motorledninger

Motorkabel er koblet sammen internt i frekvensomformeren med skjermet kabel i passende lengde, og de 4 lederne i kabelen er alle utstyrt med kabelsko for enkel og problemfri montering.

Ledningene er fargekodet (fig. 3):

- "Svart" = "U"
- "Brun" = "V"
- "Grå" = "W"
- "Gul/Grønn" = "PE"

### Montering av nettkabel

Nettkabelen kobles til frekvensomformerstøpset, som er forkonfeksjonert i frekvensomformeren.

Nettkabelen kobles til klemmene "L1" og "N" og "PE" for 1 x 230 V-modeller (fig. 2 og 4). For 3 x 400 V-modellene kobles nettkabelen til "L1", "L2" og "L3" samt "PE" (fig. 2 og 4).

### Montering av Modbus

Modbuskabelen fra OJ Air2 Fan IO kobles til frekvensomformeren med RJ12-støpset, som er koblet internt til frekvensomformeren i støpset "MODBUS" (fig. 5 og 6).

**HoldingReg (Length = 18)**

Adresse	Beskrivelse	Min.	Maks.	Kommentar	Fabrikk
0	PrcSet	0 (0 %)	10000 (100 %)	Hastighetssettpunkt i % av intervall min./maks.	n/a
1	MinHz	0 (0 %)	5000 (50 Hz)	Minimum hastighet (frekvens)	10 Hz
2	MaxHz	0 (0 %)	15000 (150 Hz)	Maksimum hastighet (frekvens)	82 Hz
3	UpRampTime	0 (0 sek.)	200 (200 sek.)	Akselerasjonstid (sekunder)	40 sek.
4	DownRampTime	0 (0 sek.)	200 (200 sek.)	Deselerasjonstid (sekunder)	40 sek.
5	VloAlrLimit	0 (0 V)	600 (1000 V)	Alarm for underspenning	280 V
6	VhiAlrLimit	0 (0 V)	1000 (1000 V)	Alarm for overspenning	400 V
7	MaxIout	0 (0 A)	20000 (20,0 A)	Maks. strøm utgang	6 A
8	IoutAlrLimit	0 (0 A)	20000 (20,0 A)	Alarmgrense for maks. strøm	10 A
9	VrippleAlrLimit	0 (0 V)	200 (200 V)	Alarmgrense for maks. Vripple-spenning	50 V
A	SwitchMode	0 (3 kHz)	2 (18 kHz)	Switch-frekvens (4,5 / 9 / 18 kHz)	0 (4,5 kHz)
B	UminHz	0 (0 V)	100 (100 V)	Spenning ved minimum frekvens	25 V
C	FreqUmax	0 (Hz)	15000 (150 Hz)	Frekvens ved maksimum spenning	70 Hz
D	Umax	240 (240 V)	400 (400 V)	Maks. spenning	240/400 V
E	ExpSet	1 (lineær)	100 (kvadratisk)	Spenning/frekvens-forholdet	50
F	UsedSetup	0 (Usertype)	-1 (save EEPROM)	Parameterblokk	0
10	MinBrakeTime	0 (0 sek.)	100 (100 sek.)	Minimum bremsetid	15 sek.
11	MaxBrakeTime	0 (0 sek.)	100 (100 sek.)	Maksimum bremsetid	40 sek.

 **InputReg (Length = 10)**

Adresse	Beskrivelse	Min.	Maks.	Kommentar	Fabrikk
0	UsedSetup	n/a	n/a		
1	FV-swver	n/a	n/a		
2	Swver	n/a	n/a		
3	PrcOut	0 (0 %)	10000 (100 %)	Hastighet i %	n/a
4	HzOut	0 (0 %)	15000 (150 Hz)	Hastighet i Hz (frekvens)	n/a
5	InternTemp	0 (0 °C)	120 (120 °C)	Temperatur i effektmodul (Toppdel)	n/a
6	Vout	0 (0 V)	1000 (1000 V)	DC-spenning	n/a
7	Iout	0 (0 A)	20000 (20,0 A)	Motorstrøm	n/a
8	Power	0 (0 kW)	15000 (15,0 kW)	Effekt (Power)	n/a
9	EksternSet	0 (0 %)	10000 (100 %)	Ekstern settpunktinnngang (0-10 V DC)	n/a

Hvis modbuskommunikasjonskabelen må forlenges, gjøres dette med en standard telekabel av typen MPFK6S eller tilsvarende flatkabel. Man kan bruke et krysset kategori 3-skjøteledd, RJ12-RJ12 6P6C (OJ nr. 81257). Modbuskabelen føres inn i frekvensomformerens gjennom den slissen som er støpt i frekvensomformerens bunn. Den lille biten skumgummi som modbuskabelen føres over, må ikke fjernes siden den virker som tetning av modbus-kabelinnføringen. Modbuskabelen strekkavlastes med kabelbøylen, som er plassert like ved innføringen.

 **Montering av toppdel**

Den tilhørende frekvensomformertoppen plasseres ovenpå bunn delen. De tre stopslene på ledningene til lokket monteres i deres respektive kontakter i bunn delen. Toppen festes vha. 4 skruer (fig. 9).

 **TEKNISKE DATA** **Innganger**

Matespenning ..... 1x230/3x400 V AC -10/+15 %, 50/60 Hz  
 Modbus RTU ..... 1 x RJ12 6P6C

 **Utganger**

Utgangsspenning ..... Pulserende AC-spenning (PWM)  
 Utgangsfrekvens ..... 10-200 Hz  
 Utgangsspenning v. maks. frekvens ..... 10-97 %  
 Spenning/frekvens-forhold ..... Lineær/kvadratisk  
 Switchfrekvens ..... 4,5 kHz (kan innstilles til 9 og 18 kHz)

 **Andre data**

Type	Effekt 1x230 V AC		Maks. strøm	Maks. sikring	Mål	Vekt (kg)
	Tilført	Aksel				
FC075	1,0 kW	0,75 kW	3x4,5 A	3x16 A	Fig. 9	4,6
FC110	1,4 kW	1,1 kW	3x5,5 A	3x16 A	Fig. 9	4,6
FC150	2,0 kW	1,5 kW	3x6,0 A	3x16 A	Fig. 9	4,6

Type	Effekt 3x230 V AC		Effekt 3x400 V AC		Maks. strøm	Maks. sikring	Mål	Vekt (kg)
	Tilført	Aksel	Tilført	Aksel				
FC322-230	2,6 kW	2,2 kW			3x10 A	3x25 A	Fig. 9	4,6
FC322			2,6 kW	2,2 kW	3x7 A	3x25 A	Fig. 9	4,6
FC330			3,6 kW	3,0 kW	3x10 A	3x25 A	Fig. 9	4,6
FC340	3,8 kW	3,0 kW	4,8 kW	4,0 kW	3x12 A	3x25 A	Fig. 10	5,4
FC355	5,1 kW	4,0 kW	6,6 kW	5,5 kW	3x15 A	3x25 A	Fig. 10	5,4

## Miljø

Kapsling..... IP54  
Luftfuktighet ..... 10-95 % - ikke kondenserende  
Omgivelsestemperatur ..... -30 - +50 °C (oppstart) / -20 - +40 °C (drift)  
Kjøling..... Frekvensomformerer skal monteres i luftstrømmen

## DRIFT

### Styring av frekvensomformerer

Frekvensomformerer kan styres med Modbuss.

### Styring med Modbuss

Se under avsnittet "Modbuss" i denne instruksjonen.

## LED-VISNINGER

Frekvensomformerer har to innebygde lysdioder (fig. 7) med flg. funksjoner:

- Alarm-lysdiode (LED1) lyser ved alarm.
- Com-lysdiode (LED2) blinker hver gang det blir mottatt korrekte data.

## Sikkerhetsfunksjoner

Frekvensomformerer er kortslutningssikret mot fase-fase-kortslutning, og har innebygd strømbegrensning for å beskytte motoren. Krav til forsterket isolasjon på 3750 Vrms er overholdt.

Det er elektroinstallatørens ansvar å sikre korrekt jording og beskyttelse etter gjeldende lokale normer og standarder. RCD-er (FI-releer), multipl be- skyttelsesjording eller alminnelig jording kan brukes som ekstrabeskyttelse forutsatt at de lokale sikkerhetsreglene er overholdt. Jordlekkstrømmene er høyere enn 3,5 mA, derfor kreves det en fast, permanent installasjon og forsterket beskyttelsesjording.

*NB! Ved jordfeil kan det være DC-innhold i feilstrømmen, og RCD-er må være egnet til å påvise dette, og installeres i henhold til gjeldende lokale og internasjonale regler, hvis disse benyttes.*

## SERVICE OG VEDLIKEHOLD

Særlig vedlikehold kreves ikke.

Kontakt vennligst leverandøren i tilfelle av problemer.

## ALARM

Ved alarm stopper frekvensomformerer, og alarmlysdioden (LED1) lyser. Når feilen forsvinner, tilbakestilles alarmen automatisk og frekvensomformerer startes. Hvis det maksimale antallet omstarter (5X) er overskredet, må alarmen tilbakestilles.

Alarmer tilbakestilles ved å pulse CoilStatBit, adresse 1 = "1".

Hvis nettspenningen blir brutt, blir alarmen automatisk tilbakestilt.

## FEILSØKING

### Åpning av frekvensomformerer

For frekvensomformerer åpnes, må nettspenningen ha vært avbrutt i min. 2 minutter, siden det ellers vil være berøringsfarlig restspenning i apparatet.

### Feilsøking når frekvensomformerer styres med eksterne signaler:

Symptom	Årsak	Handling
Motor går ikke	Manglende matespenning	Kontroller at det er spenning på frekvensomformerer, klemme "L" og "N" ved 230 V-modeller. "L1", "L2" og "L3" ved 3 x 400 V og 3 x 230 V-modeller. (Driftsspenningen til frekvensomformerer er angitt på merkeskiltet plassert på siden av frekvensomformerer).
	Manglende driftssignal	0001H: Bit 0: Motor ON/OFF (1=On) 0-1
	Dårlig elektrisk forbindelse	Kontroller kontakter og andre elektriske forbindelser.
	Manglende hastighetssettning	0001H: PrcSet 0-10000 ( 0-100,00 %)
	Motoren har koblet ut 5 ganger på det interne motorvernet pga. overlast.	0002H: Bit 1: Reset (1 = Reset / pulse) 0-1 Alarmen kan også tilbakestilles ved å slå av strømmen til frekvensomformerer og slå den på igjen etter ca. 15 sek.
	Defekt frekvensomformer	Bytt frekvensomformer.
	Defekt motor	Bytt motor.
Frekvensomformerer støyer over akseptabelt nivå	For lav switchfrekvens	Øk switchfrekvensen. 000BH: SwitchMode 0 = Low, 1 = Medium, 2 = High 0, 1, 2 frekvens Ved en økt switchfrekvens økes tapene i motoren og motoren får dermed en lavere virkningsgrad og dårligere økonomi.
Frekvensomformerer kobler ut	Min. 2 faser kortsluttet på motorklemmer	Fjern kortslutningen på motorklemmene*.
	Defekt motor	Bytt motor*.
	Overbelastet motor	Fjern overbelastningen fra motoren*.

\* Husk: Å tilbakestille alarmen ved å sette 0002H: Bit 1: Reset (1 = Reset/pulse) 0-1

Alarmen kan også tilbakestilles ved å slå av strømmen til frekvensomformerer og slå den på igjen etter ca. 15 sek.

## MILJØ OG FJERNING AV AVFALL

Vær med på å beskytte miljøet ved å avhende emballasje og brukte produkter på en miljøriktig måte.

## Kassering av produktet



Produkter med dette merket må ikke avhendes som alminnelig husholdningsavfall, men må samles inn særskilt i henhold til de gjeldende lokale regler.

## OJ Electronics A/S

Stenager 13B · DK-6400 Sønderborg  
Tlf. +45 73 12 13 14 · Faks +45 73 12 13 13  
oj@ojelectronics.com · www.ojelectronics.com

## CE-MERKING

OJ Electronics A/S erklærer herved at dette produktet oppfyller Rådets direktiv 92/31/EØF og senere endringer om elektromagnetisk kompatibilitet og Rådets direktiv 73/23/EØF om elektrisk materiell som er bestemt til bruk innenfor visse spenningsgrenser.

## Benyttede standarder

EN-61800-2

"Elektriske motordrifter for variabelt turtall - Del 2: Generelle krav"

## EMC-DIREKTIVET

EMC-EMISJON EN 61000-6-3:2001

EMC-IMMUNITET EN 61000-6-2:2001

Produktet må kun tas i bruk når hele installasjonen oppfyller krav i gjeldende direktiver. Først når produktet er installert i henhold til denne veiledningen og gjeldende installasjonsforskrifter, er det omfattet av fabrikkgarantien.

Hvis produktet har vært utsatt for fysisk overlast eller skade, f.eks. under transport, må det etterses og kontrolleres av kvalifisert personell før produktet tas i bruk og tilkobles forsyningsnettet.

## FIGUROVERSIGT

Fig. figurer findes bagest i instruktionen:

- Figur 1: Placering i luftstrøm
- Figur 2: Forsyningstilslutning
- Figur 3: Farvekode motortilslutning
- Figur 4: Forkonfektionerede kabler
- Figur 5: Intern klemmetilslutning
- Figur 6: Styring med OJ Air2 Fan IO
- Figur 7: LED-indikeringer
- Figur 8: Mål FC-W bundpart
- Figur 9: Mål FC-W komplet 0,75-3,30 kW
- Figur 10: Mål FC-W komplet 4,0-5,50 kW
- Figur 11: Forholdet mellem setpunkt og min./maks.-frekvens

## GENERELT

OJ FC-W frekvensomformerne anvendes til styring af hastigheden på en 3-faset standard asynkron AC-motor på en ventilator. Af hensyn til køling skal frekvensomformerer placeres direkte i ventilatorens luftstrøm (fig.1). Frekvensomformerer kan monteres på væg eller direkte på motorens konsol og er via sin helstøbte aluminiumskapsling særdeles robust, således at vibrationer ikke ødelægger eller skader den. Frekvensomformerer styres via Modbus RTU og kan derved fuldt integreres i OJ Air2 systemet. Drifts- og grænseparametre kan let tilpasses den aktuelle ventilator via Modbus. For at sikre problemfri drift og lave installationsomkostninger har frekvensomformerer indbygget EMC-filter. Frekvensomformerer kan nemt åbnes, og der er rigtig god plads i forbindelse med service og eftersyn.

## FUNKTION

Frekvensomformerer styrer motoren ved at ændre frekvens og spænding. Frekvensomformerens udgangssignal er baseret på "space vector"-princippet. Spændingen kan ændres lineært eller kvadratisk som funktion af frekvensen, og spænding/frekvens-forholdet kan indstilles til optimal magnetiseringsstrøm i motoren. Herved kan energiforbrug og støjniveau reduceres til et minimum. Switchfrekvensen er fabriksindstillet til 4,5 kHz (lav) og kan indstilles til 9 kHz (mellem) og 18 kHz (høj). Øges switchfrekvensen, øges tabene, og motorens virkningsgrad reduceres, men samtidig reduceres eventuel hörbar akustisk støj.

Frekvensomformerer har som standard følgende indbyggede funktioner:

- Modbus RTU
- Flyvende start i begge retninger
- Automatisk genstart (5x) ved f.eks. over-/underspændinger
- Alarm, når indstillet antal (5x) genstartforsøg overskrides
- Alarm for overload, overspænding og underspænding
- Motorbeskyttelse med indbygget strømbegrænsning
- Kortslutningsbeskyttede frekvensomformerudgange

## PRODUKTPROGRAM

### Frekvensomformerer

Type	Produkt
OJ-FC0.75	FC 0,75 kW, 1x230 V
OJ-FC110	FC 1,10 kW, 1x230 V
OJ-FC150	FC 1,50 kW, 1x230 V
OJ-FC322	FC 2,20 kW, 3x400 V
OJ-FC322-230	FC 2,20 kW, 3x230 V
OJ-FC330	FC 3,00 kW, 3x400 V
OJ-FC340	FC 4,00 kW, 3x400 V / 3,00 kW, 3x230 V
OJ-FC355	FC 5,50 kW, 3x400 V / 4,00 kW, 3x230 V

## MODBUS

Frekvensomformerer styres via Modbus fra eksempelvis en OJ Air2 Fan IO, og Modbus-kablet tilsluttes RJ12-Modbus-stikket mærket med "B". Adresseringen af frekvensomformerer foretages fra OJ Air2 Fan IO gennem "B"-stikket.

Frekvensomformerer har adresseområdet 0x48 (72), 0x49 (73), 0x4C (76) og 0x4D (77), og kommunikationsprotokollen er: 38,4 kBaud, 1 startbit, 8 databits, 1 stopbit og ingen paritet.

## SUPPORTEREDE MODBUS-KOMMANDOER

### Coil Stat Bit (Length = 2)

Adresse	Funktion	Dataområde	Aktivt niveau
0	Bit0: Motor ON/OFF (1=On)	0,1	1 = ON
1	Bit1: Reset (1=Reset/Pulse)	0,1	1 = Reset
2	Save setup to EEPROM	0,1	1 = Save
3	Load setup from EEPROM	0,1	1 = Load

### Input Stat Bit (Length = 8)

Adr.	Bitnavn	Beskrivelse	Dataområde	Aktivt niveau
0	Bit0:V_LoAlr	V-mellemkreds LoLimit Alarm	0,1	1 = ALARM
1	Bit1:V_HiAlr	V-mellemkreds HiLimit Alarm	0,1	1 = ALARM
2	Bit2:I_HiAlr	Overstrømsalarm	0,1	1 = ALARM
3	Bit3:TempAlr	OverTemp-alarm	0,1	1 = ALARM
4	Bit4:PhaseErr	Fasefejl	0,1	1 = Error
5	Bit5:VrippelAlr	Vripple-alarm	0,1	1 = ALARM
6	Bit6:I_HiLimit	Strømbegrænsner aktiv	0,1	1 = Limit
7	Bit7:EksternStop	Ekstern Stop-indgang	0,1	1 = Stop
9	Bit9:EEPROM Error	Fejl i EEPROM (intern fejl)	0,1	1 = Error
10	Bit10:SPI_Error	Fejl i Serial Peripheral Interface (SPI) (Intern fejl)	0,1	1 = Error

## FORBUD MOD IBRUGTAGNING

Der erklæres forbud mod ibrugtagning, indtil den maskine/det produkt, hvori ovennævnte produkt inkorporeres, som en helhed er erklæret i overensstemmelse med alle relevante bestemmelser i Maskindirektivet 98/37/EØF samt national lovgivning ifølge Arbejdstilsynets bekendtgørelse 561/94. Der må først kobles strøm til produktet, når hele installationen overholder kravene i ALLE relevante EU-direktiver. Når produktet er installeret i henhold til denne installationsvejledning og gældende installationskrav, er produktet dækket af fabriksgaranti. Hvis produktet har været udsat for skade, f.eks. under transport, skal det undersøges og renoveres af autoriseret personale, inden der tilsluttes spænding til produktet.

## INSTALLATION

Frekvensomformerer er designet til montage internt i et ventilationsaggregat og skal, af hensyn til afkøling af frekvensomformerer, monteres direkte i luftstrømmen (fig. 1).

Det er ikke nødvendigt at adskille frekvensomformerer i forbindelse med montering. Frekvensomformerer er forsynet med forkonfektionerede kabler, som alle er internt forbundet i frekvensomformerer (fig. 4 & 5).

### Montering af bundpart

For at sikre tilstrækkelig køling af frekvensomformerer skal den monteres således, at ventilatorens luftstrøm passerer forbi køleribberne, og at der er fri passage imellem dem. Frekvensomformerer kan enten monteres horisontalt eller vertikalt på den indvendige side i ventilationsanlægget eller direkte på ventilatorkonsol og fastgøres med 4 skruer (fig. 9).

### Montering af motorledninger

Motor-kabel er internt forbundet i frekvensomformerer med skærmet kabel i passende længde, og de 4 ledninger i kablet er alle forsynet med kabelsko for nem og problemfri montage.

Ledningerne er forsynet med farvekode (fig. 3):

- "Sort" = "U"
- "Brun" = "V"
- "Grå" = "W"
- "Gul/Grøn" = "PE"

### Montering af forsyning

Forsyningskabel tilsluttes frekvensomformererstikforbindelsen, som er forkonfektioneret i frekvensomformerer.

Forsyningskabel tilsluttes klemmerne "L1" og "N" samt "PE" for 1 x 230 V-modeller (fig. 2 & 4). For 3 x 400 V-modeller tilsluttes forsyningskabel til "L1", "L2" og "L3" samt "PE" (fig. 2 & 4).

### Montering af Modbus

Modbus-kabel fra OJ Air2 Fan IO tilsluttes frekvensomformerer med RJ12-stikket, som er internt forbundet i frekvensomformerer i stikket "MODBUS" (fig. 5 & 6).



**HoldingReg (Length = 18)**

Adresse	Beskrivelse	Min.	Maks.	Kommentar	Fabrik
0	PrcSet	0 (0 %)	10000 (100 %)	Hastighedssetpunkt i % af interval min./maks.	n/a
1	MinHz	0 (0 %)	5000 (50 Hz)	Minimum hastighed (frekvens)	10 Hz
2	MaxHz	0 (0 %)	15000 (150 Hz)	Maksimum hastighed (frekvens)	82 Hz
3	UpRampTime	0 (0 sek.)	200 (200 sek.)	Rampe-op-tid (sekunder)	40 sek.
4	DownRampTime	0 (0 sek.)	200 (200 sek.)	Rampe-ned-tid (sekunder)	40 sek.
5	VloAlrLimit	0 (0 V)	600 (1000 V)	Alarm for underspænding	280 V
6	VhiAlrLimit	0 (0 V)	1000 (1000 V)	Alarm for overspænding	400 V
7	MaxIout	0 (0 A)	20000 (20,0 A)	Maks. strømudgang	6 A
8	IoutAlrLimit	0 (0 A)	20000 (20,0 A)	Alarmgrænse for maks. strøm	10 A
9	VrippleAlrLimit	0 (0 V)	200 (200 V)	Alarmgrænse for maks. Vripple-spænding	50 V
A	SwitchMode	0 (3 kHz)	2 (18 kHz)	Switchfrekvens (4,5 / 9 / 18 kHz)	0 (4,5 kHz)
B	UminHz	0 (0 V)	100 (100 V)	Spænding ved minimum frekvens	25 V
C	FreqUmax	0 (Hz)	15000 (150 Hz)	Frekvens ved maksimum spænding	70 Hz
D	Umax	240 (240 V)	400 (400 V)	Maks. spænding	240/400 V
E	ExpSet	1 (lineær)	100 (kvadratisk)	Spænding/frekvens-forholdet	50
F	UsedSetup	0 (Usertype)	-1 (save EEPROM)	Parameterblok	0
10	MinBrakeTime	0 (0 sek.)	100 (100 sek.)	Minimum bremsetid	15 sek.
11	MaxBrakeTime	0 (0 sek.)	100 (100 sek.)	Maksimum bremsetid	40 sek.

**InputReg (Length = 10)**

Adresse	Beskrivelse	Min.	Maks.	Kommentar	Fabrik
0	UsedSetup	n/a	n/a		
1	FV-swver	n/a	n/a		
2	Swver	n/a	n/a		
3	PrcOut	0 (0 %)	10000 (100 %)	Hastighed i %	n/a
4	HzOut	0 (0 %)	15000 (150 Hz)	Hastighed i Hz (frekvens)	n/a
5	InternTemp	0 (0 °C)	120 (120 °C)	Temperatur i powermodul (topdel)	n/a
6	Vout	0 (0 V)	1000 (1000 V)	DC-spænding	n/a
7	Iout	0 (0 A)	20000 (20,0 A)	Motorstrøm	n/a
8	Power	0 (0 kW)	15000 (15,0 kW)	Effekt (Power)	n/a
9	EksternSet	0 (0 %)	10000 (100 %)	Ekstern Setpunkt indgang (0-10 V DC)	n/a

I tilfælde af, at Modbus-kommunikationskablet skal forlænges, gøres dette med et standard telekabel af typen MPFK6S eller tilsvarende fladkabel. Der kan benyttes et krydset kategori 3-forlængerled, RJ12-RJ12 6P6C (OJ nr. 81257).

Modbus-kablet føres ind i frekvensomformerens bundpart, der er støbt i frekvensomformerens bundpart. Det lille stykke skumgummi, som Modbus-kablet føres hen over, må ikke fjernes, da dette tjener som tætning af Modbus-kabelindføringen. Modbus-kablet trækafastes med kabelbøjlen, som er placeret umiddelbart ved indføringen.

**Montering af toppart**

Den tilhørende frekvensomformertop placeres oven på bundparten. De tre stik på lågets ledninger monteres i de modsvarende stik i bundparten. Toppen fastgøres vha. 4 skruer (fig. 9).

**TEKNISKE DATA****Indgange**

Forsyningsspænding .....1x230/3x400 V AC -10/+15 %, 50/60 Hz  
Modbus RTU ..... 1 x RJ12 6P6C

**Udgange**

Udgangsspænding .....Pulserende AC-spænding (PWM)  
Udgangsfrekvens .....10-200 Hz  
Udgangsspænding v. maks. frekvens .....10-97 %  
Spænding/frekvens-forhold.....Lineær/kvadratisk  
Switchfrekvens .....4,5 kHz (kan indstilles til 9 og 18 kHz)

**Øvrige data**

Type	Effekt 1x230 V AC		Maks. strøm	Maks. sikring	Mål	Vægt (kg)
	Tilført	Aksel				
FC075	1,0 kW	0,75 kW	3x4,5 A	3x16 A	Fig. 9	4,6
FC110	1,4 kW	1,1 kW	3x5,5 A	3x16 A	Fig. 9	4,6
FC150	2,0 kW	1,5 kW	3x6,0 A	3x16 A	Fig. 9	4,6

Type	Effekt 3x230 V AC		Effekt 3x400 V AC		Maks. strøm	Maks. sikring	Mål	Vægt (kg)
	Tilført	Aksel	Tilført	Aksel				
FC322-230	2,6 kW	2,2 kW			3x10 A	3x25 A	Fig. 9	4,6
FC322			2,6 kW	2,2 kW	3x7 A	3x25 A	Fig. 9	4,6
FC330			3,6 kW	3,0 kW	3x10 A	3x25 A	Fig. 9	4,6
FC340	3,8 kW	3,0 kW	4,8 kW	4,0 kW	3x12 A	3x25 A	Fig. 10	5,4
FC355	5,1 kW	4,0 kW	6,6 kW	5,5 kW	3x15 A	3x25 A	Fig. 10	5,4

## Miljø

Tæthedsklasse..... IP54  
Luftfugtighed ..... 10-95 % - ikke kondenserende  
Omgivelsestemperatur ..... -30 - +50 °C (opstart) / -20 - +40 °C (drift)  
Køling ..... Frekvensomformereren skal monteres i luftstrømmen

## DRIFT

### Styring af frekvensomformereren

Frekvensomformereren kan styres med Modbus.

### Styring med Modbus

Se under afsnittet "Modbus" i denne instruktion.

## LED-VISNINGER

Frekvensomformereren har to indbyggede lysdioder (fig. 7) med flg. funktioner:

- Alarm-lysdiode (LED1) lyser ved alarm.
- Com-lysdiode (LED2) blinker, hver gang der modtages korrekte data.

## Sikkerhedsfunktioner

Frekvensomformereren er kortslutningssikret mod fase-fase-kortslutning og har indbygget strømbegrænsning til beskyttelse af motoren. Krav til forstærket isolation på 3750 V<sub>rms</sub> er overholdt.

Det er el-installatørens ansvar at sikre korrekt jording samt beskyttelse efter gældende lokale normer og standarder. RCD'er (FI-relæer), multipel beskyttelsesjording eller almindelig jording kan benyttes som ekstrabeskyttelse, forudsat de lokale sikkerhedsregler er overholdt. Jordlækstrømmene er højere end 3,5 mA, hvorfor der kræves en fast, permanent installation og forstærket beskyttelsesjording.

*NB! Ved jordfejl kan der være DC-indhold i fejlstrømmen, og RCD'er skal være egnede til at detektere dette og installeres i henhold til gældende lokale og internationale regler, hvis disse anvendes.*

## SERVICE OG VEDLIGEHOLD

Intet særligt vedligehold kræves.

Kontakt venligst leverandøren i tilfælde af problemer.

## ALARM

Ved alarm stopper frekvensomformereren, og alarmlysdioden (LED1) lyser. Når fejlen forsvinder, resettes alarmeren automatisk, og frekvensomformereren startes.

Hvis det maksimale antal genstarter (5x) er overskredet, skal alarmeren resettes.

Alarmer resettes ved at pulse CoilStatBit, adresse 1 = "1".

Afbrydes netspændingen, bliver alarmeren automatisk resat.

## MILJØ OG BORTSKAFFELSE

Hjælp med at beskytte miljøet ved at bortskaffe emballage og brugte produkter på en miljørigtig måde.

## Bortskaffelse af produktet



Produkter med dette mærke må ikke bortskaffes som almindeligt husholdningsaffald, men skal indsamles særskilt i henhold til de gældende lokale regler.

## OJ Electronics A/S

Stenager 13B · DK-6400 Sønderborg

Tel. +45 73 12 13 14 · Fax +45 73 12 13 13

oj@ojelectronics.com · www.ojelectronics.com

## CE MÆRKNING

OJ Electronics A/S erklærer under ansvar, at dette produkt opfylder Rådets Direktiv 92/31/EØF og efterfølgende ændringer om elektromagnetisk kompatibilitet samt Rådets Direktiv 73/23/EØF om elektrisk materiel bestemt til anvendelse inden for visse spændingsgrænser.

## Benyttede standarder

EN-61800-2

"Elektriske motordrev med variabel hastighed, generelle krav"

## EMC DIREKTIVET

EMC-EMISSION EN 61000-6-3:2001

EMC-IMMUNITET EN 61000-6-2:2001

Produktet må kun tages i anvendelse, når hele installationen opfylder gældende direktivkrav. Først når produktet er installeret i henhold til denne vejledning og gældende installationsforskrifter, er det omfattet af fabriksgarantien.

Hvis produktet har været udsat for fysisk overlast eller beskadigelse, f.eks. under transport, skal produktet efterses og kontrolleres af kvalificeret personale, før produktet tages i anvendelse og tilsluttes forsyningsnettet.

## FEJLFINDING

### Åbning af frekvensomformereren

Inden frekvensomformereren åbnes, skal netspændingen have været afbrudt i min. 2 minutter, da der ellers vil være berøringsfarlige restspændinger i apparatet.

### Fejlfinding, når frekvensomformereren styres med eksterne signaler:

Symptom	Årsag	Handling
Motor kører ikke	Manglende forsyningsspænding	Kontroller, at der er spænding på frekvensomformereren, klemme "L" og "N" ved 230 V-modeller. "L1", "L2" og "L3" ved 3 x 400 V- og 3 x 230 V-modeller. (Frekvensomformerens driftsspænding er angivet på mærkeskiltet placeret på siden af frekvensomformereren).
	Manglende driftssignal	0001H: Bit 0: Motor ON/OFF (1=On) 0-1
	Dårlige elektriske forbindelser	Kontroller stikforbindelser og andre elektriske forbindelser.
	Manglende hastighedssetpunkt	0001H: PrcSet 0-10000 (0-100,00 %)
	Motoren er 5 gange koblet fra på den interne motorbeskyttelse pga. overlast	0002H: Bit 1: Reset (1 = Reset/pulse) 0-1 Alarmeren kan også resettes ved at slukke for spændingen til frekvensomformereren og tænde igen efter ca. 15 sek.
	Defekt frekvensomformer	Udskift frekvensomformer.
Defekt motor	Udskift motor.	
Frekvensomformer larmer over acceptabelt niveau	For lav switchfrekvens	Forøg switchfrekvensen. 000BH: SwitchMode 0 = Low, 1 = Medium, 2 = High 0, 1, 2 frekvens Ved en øget switchfrekvens øges tabene i motoren, og motoren får dermed en lavere virkningsgrad og ringere økonomi.
Frekvensomformer kobler fra	Min. 2 faser kortslettet på motorklemmer	Fjern kortslutningen på motorklemmer*.
	Defekt motor	Udskift motor*.
	Overbelastet motor	Fjern overbelastningen fra motoren*.

\* Husk: At resette alarmeren ved at sætte 0002H: Bit 1: Reset (1 = Reset/pulse) 0-1

Alarmeren kan også resettes ved at slukke for spændingen til frekvensomformereren og tænde igen efter ca. 15 sek.

Fig. 1 - Location within air flow

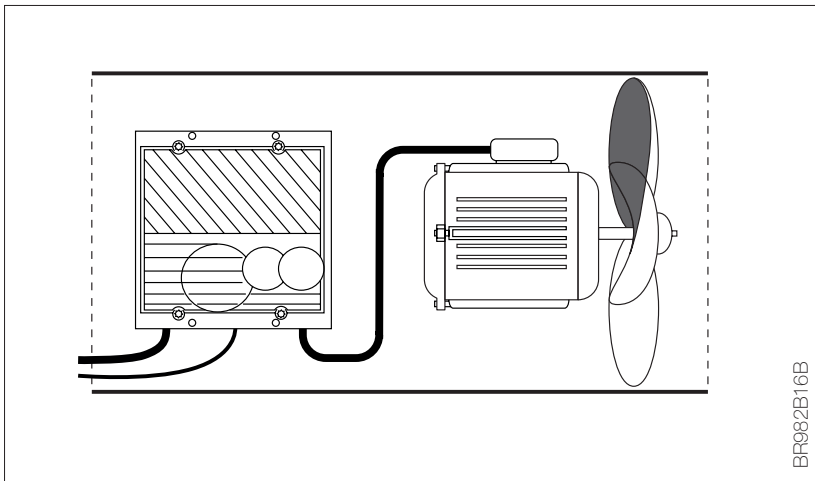


Fig. 2 - Power connection

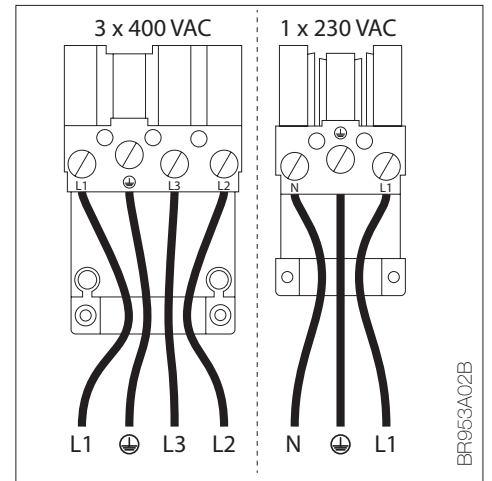


Fig. 3 - Colour coded motor connection

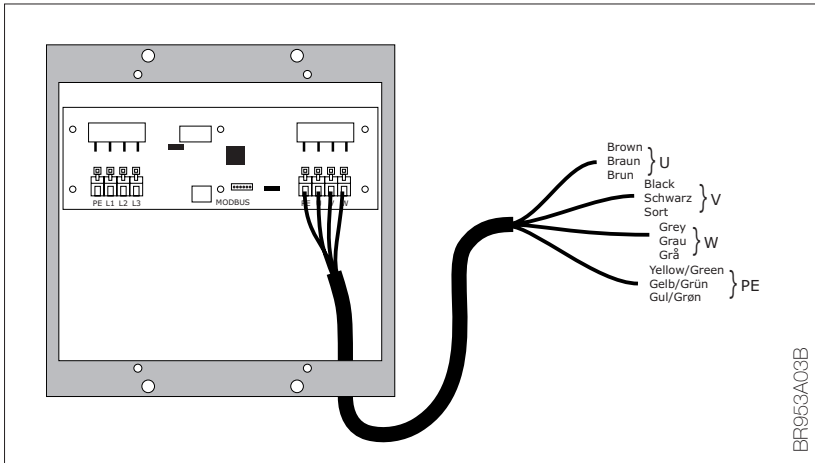


Fig. 5 - Internal terminal connections

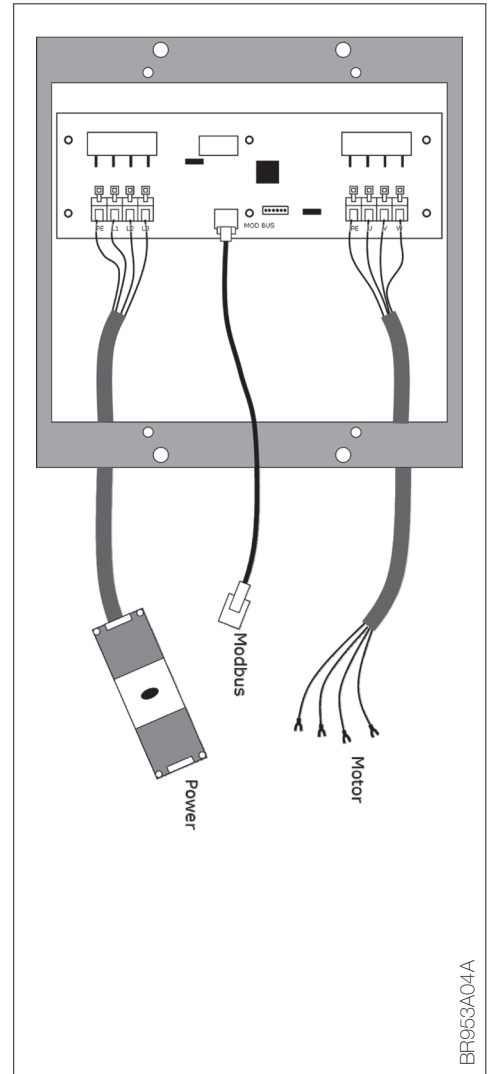


Fig. 4 - Pre-made cables

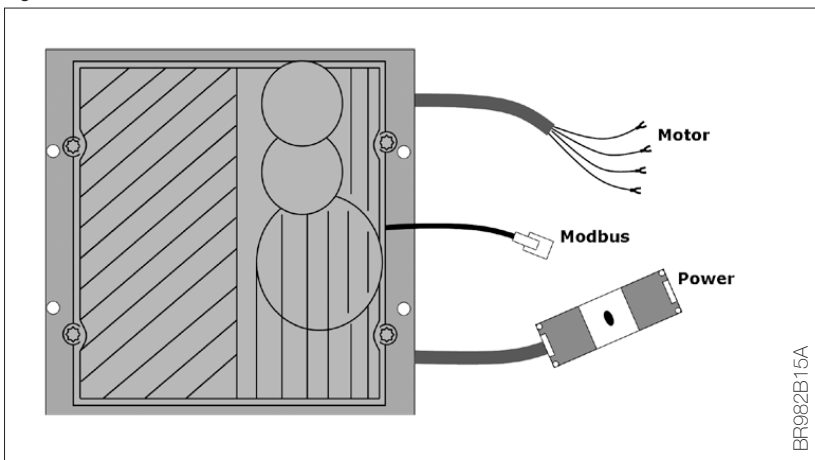


Fig. 6 - Control via OJ Air2 Fan IO

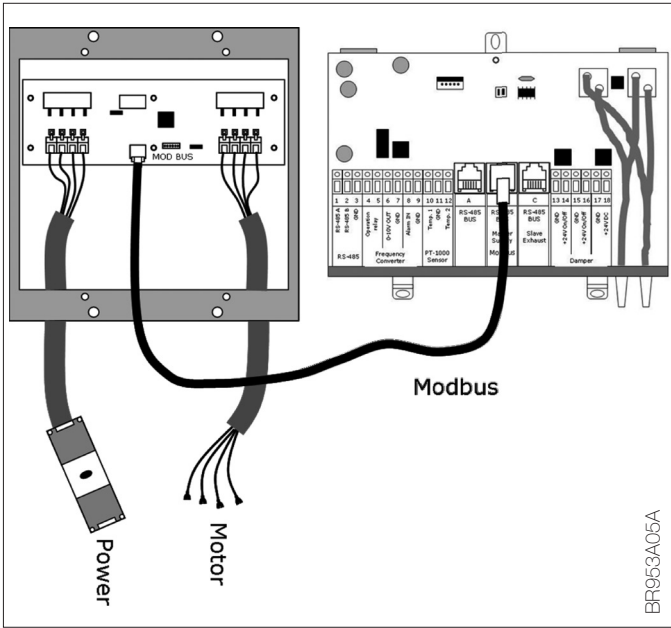


Fig. 7 - LED indicator lights

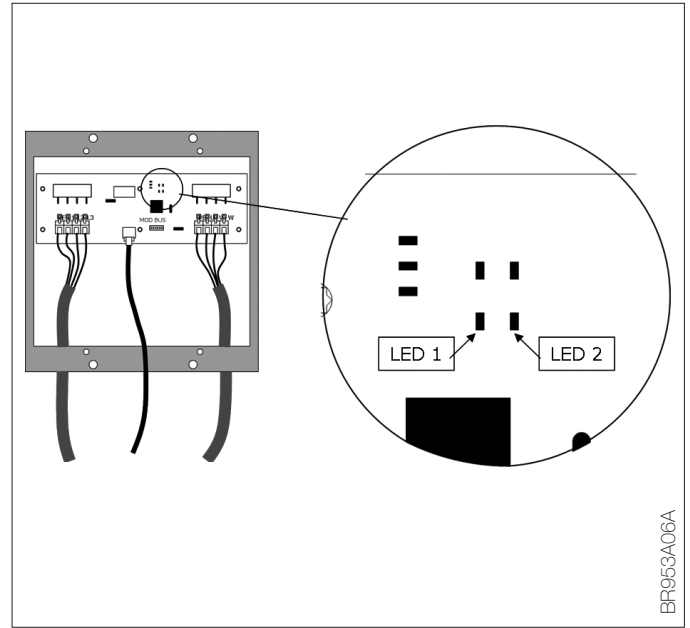


Fig. 8 - Dimensions FC-W base

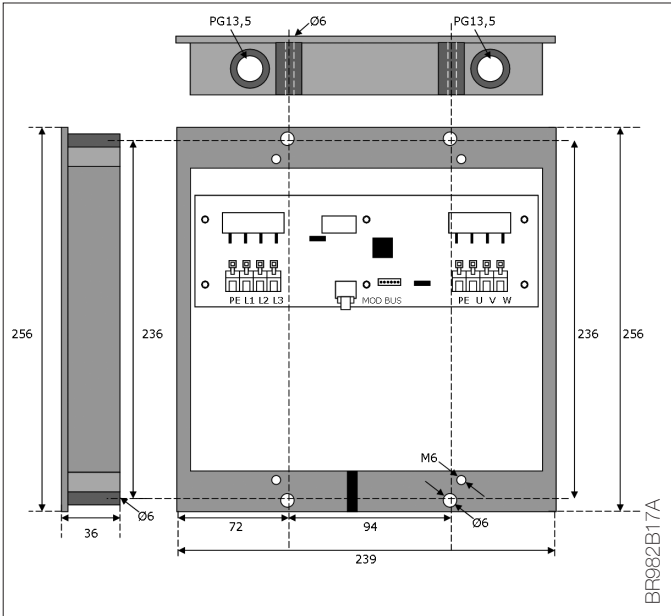


Fig. 9 - Dimensions FC-W complete 0,75-3,30 kW

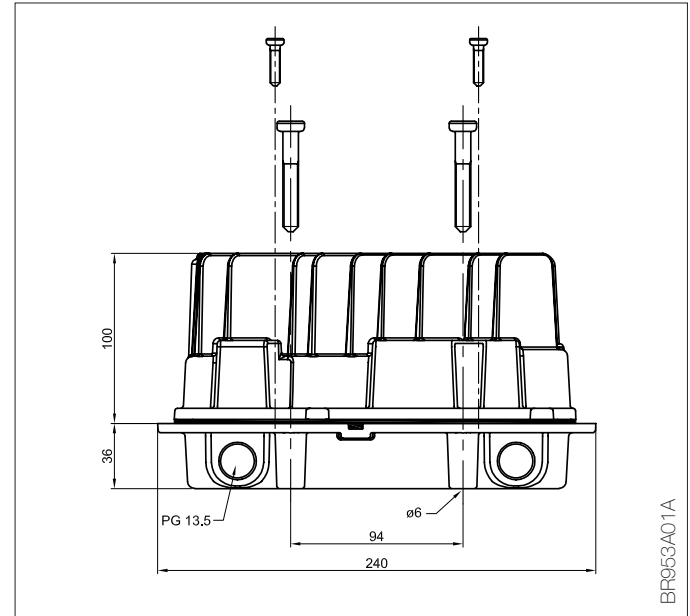


Fig. 10 - Dimensions FC-W complete 4,0-5,50 kW

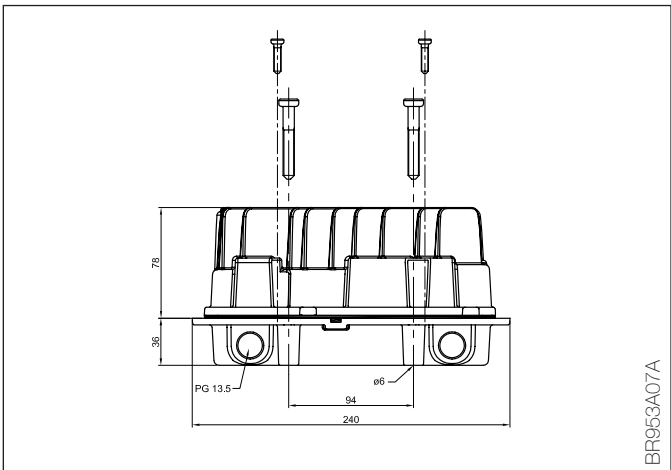
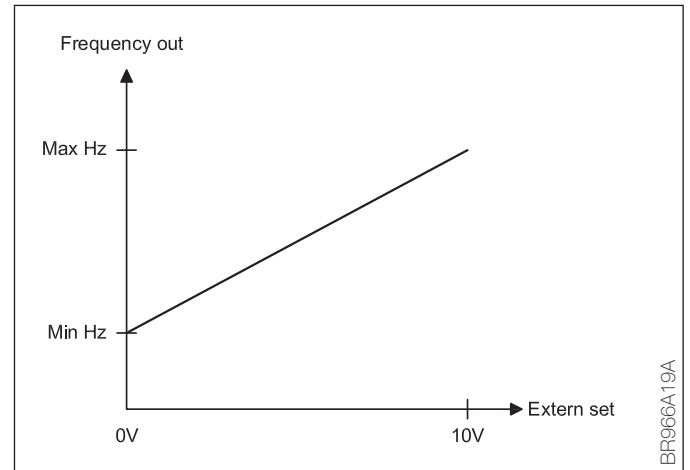


Fig. 11 - Relationship between setpoint and min./max. frequency







**OJ ELECTRONICS A/S**  
Stenager 13B · DK-6400 Sønderborg  
Tel. +45 73 12 13 14 · Fax +45 73 12 13 13  
oj@ojelectronics.com · www.ojelectronics.com