

OJ Microline®

MCS4-10

COMFORT SYSTEM 4™



Intelligent Control
Maximum comfort with
low energy consumption

Save up to 36% CO₂



THERMOSTATS FOR COMFORT HEATING

Central Controller

Make your business complete with the central control system from OJ Electronics.

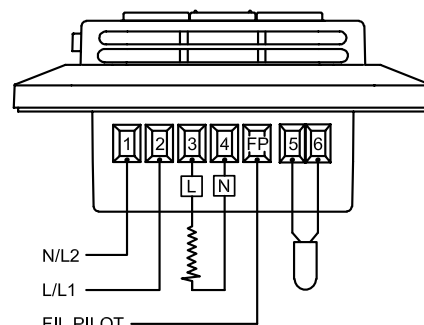
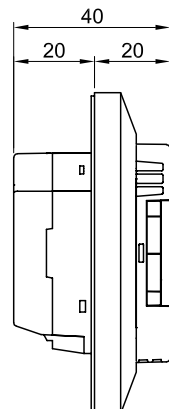
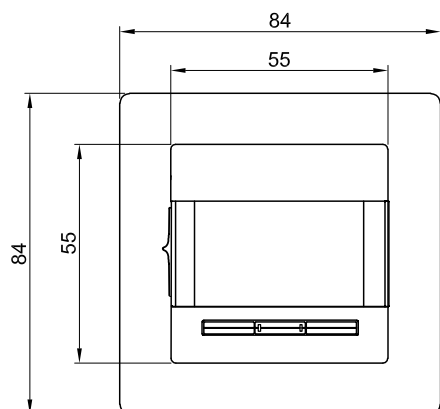
Comfort System 4™ offers maximum comfort in all areas, from installation through operation to servicing. It ensures minimum energy consumption by intelligent radio controlled thermostats following a group's 4-event programme.

The wireless controller and thermostats are recommended for controlling multi-room heating systems with up to 16 rooms.

- Saves at least 20% in energy consumption.
- Easy read-out of energy costs
- Depth of only 20 mm, wireless installation and snap mounting of front cover make installation easier than ever!
- Easy, animated menu navigation and programming. The programming is child's play, ensuring the fastest and easiest set-up.
- Easy set-up – 5 built-in schedules ready for use.
- Innovative – ready for external SMS modem control.
- Automatic daylight saving times and battery backup of clock and calendar.

PRODUCT PROGRAMME

TYPE	PRODUCT
MCS4-10	CS4™ Central controller for up to 15 wirelessly controlled basic thermostats
MSD4-1999	CS4™ Thermostat, for use with MCS4
MSA4-10	CS4™ Panel Heater Controller, for use with MCS4



BR-0984-A02a
© 2010 OJ Electronics A/S

BR-0984-A17b
© 2010 OJ Electronics A/S

Comfort system controller

The controller will automatically and wirelessly ensure comfort control of up to 16 room or floor thermostats.

Easy read-out of energy consumption

The total time the heating has been switched on can be read out in kW/percentage for the last 2, 7, 30 or 365 days. This allows heat consumption to be monitored.

Built-in thermostat

The central controller has a built-in 16 A thermostat, extendable for up to 16 rooms.

IP21 housing

Also suitable for mounting in bathrooms.

Built-in clock/calendar function with power backup.

The controller has a built-in 4-event program for automatic comfort and setback temperatures.

Graphical STN display with exclusive backlighting

Unique user interface with new button-based navigation for easy programming. Backlit with white, low-power LEDs, giving it an exclusive look and feel.

5-group factory-set time programmes

OCS4 is supplied with the following factory-set program:

DAY 1-5

EVENT TIME	TEMPERATURE
1 06:00-08:00	Comfort 21°C
2 08:00-16:00	Setback 15°C
3 16:00-22:30	Comfort 21°C
4 22:30-06:00	Setback 15°C

DAY 6-7

EVENT TIME	TEMPERATURE
1 08:00-23:00	Comfort 21°C
4 23:00-08:00	Setback 15°C

Individual programming of events

The factory-set periods and/or temperatures can be changed as required.

Furthermore, the following programs can be selected:

- 4 events for 5 days and 2(4) events for days 6+7
- 4 events for 6 days and 2(4) events for day 7
- 4 events per day

Comfort mode

The house temperature can be temporarily changed for a single event. The comfort mode temperature is reset after a selected number of hours. The thermostat will then return to the scheduled event program.

Holiday mode

The scheduled event program can be cancelled, e.g. during holidays, and the temperature set for humidity protection purposes instead, e.g. to 10°C. The new setpoint remains valid until the scheduled end date and time. The house will thus be warm on returning from holiday.

TECHNICAL DATA

Supply voltage	230 V AC ±10% 50/60 Hz
Standby power	~ 0.9 Watt
Output relay SPST	16 A resistive load or 1 A inductive load
Interrupter	Software controlled relay
Temperature range	+5/+40°C
Floor limit range	+5/+40°C
Clock function	4-event program
Battery backup	5 years
Ambient temperature	0/+40°C during operation
Regulation principle	PWM / PI
Housing	IP21
Internal sensor type	NTC (12 KΩ) 3 m
Dimensions (H/W/D)	84/84/40 mm (20 mm depth)
Display	100x64 pixel STN - white backlight
EU registered design	001534462-0001 / 2
RF frequency band	868.3 MHz
RF transmission range	up to 100 meters in open field