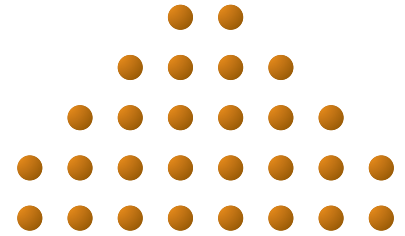


Dimmer

MDC-13



THERMOSTATS FOR UNDERFLOOR HEATING

Microlux Light Dimmer

MDC-13 is an elegant light dimmer with intuitive operation, in classic design.

- Recommended for dimming of electronic transformers or 230V incandescent lamps.
- Electronic dimmer suitable for flush mounting in standard wall socket.
- With built-in 2-pole interrupter discretely located under the touch panel.
- Last setting memory.
- Built-in electronic protection against overload and short-circuit.
- Possibility of remote control via terminals.
- Can be installed in combination with various types of light switches.

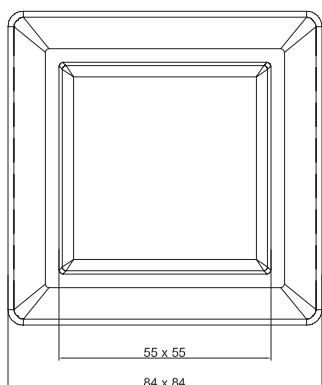
PRODUCT PROGRAMME

TYPE	PRODUCT
MDC-13	Light dimmer
ACCESSORIES	
MTC-VH2	Base box for surface wall mounting

FUNCTION

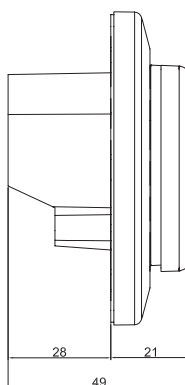
MDC-13 is a reverse phase control dimmer and is thus ideal for controlling light emission from low-voltage lights via electronic transformers and from standard incandescent lighting. The on/off switch is discretely located beneath the cover.

Press briefly to switch on or off. Once the light is on, press until the required light intensity is achieved. To obtain full light intensity, simply press and hold the cover and the dimmer will automatically stop regulating the light when 100% is reached.



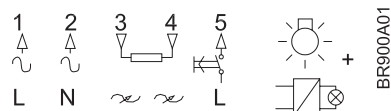
BR900A02a

Dimensions (mm)



BR900A03a

Dimensions (mm)



Connections MDC-13

Memory

The MDC-13 has a status memory for the last intensity setting and whether the dimmer was on or off. The light intensity last used will automatically be provided the next time it is switched on.

In addition, it allows MDC-13 to be connected to a twilight switch or PIR sensor.

Remote control

The dimmer can be remotely controlled via terminals. It is therefore possible to connect several switch buttons to the same dimmer.

Safety features

MDC-13 has built-in electronic cut-out. The fuse need not therefore be changed should a short-circuit occur.

In addition, MDC-13 has a thermal fuse, which cuts out electronically should overload occur.

TECHNICAL DATA

Supply voltage	230V ±10% 50 Hz
Power consumption	2 VA
Pre-fuse	16A max.
Built-in interrupter	2-pole, 10A
External input	230V AC for remote control
Setting range	15-95% or OFF
Ambient temperature	0/+40°C
Humidity	15-90% RH
Dimensions	84 x 84 x 49 mm
Enclosure	IP20
Output:	
Control type:	Reverse phase cut
Ohmic load	10-420W (incandescent lamps)
Capacitive load	10-420 VA (electronic transformer)

Not suitable for inductive loads

Open touch panel



2-pole interrupter

Button for light control