

# OJ Waterline Control system 2

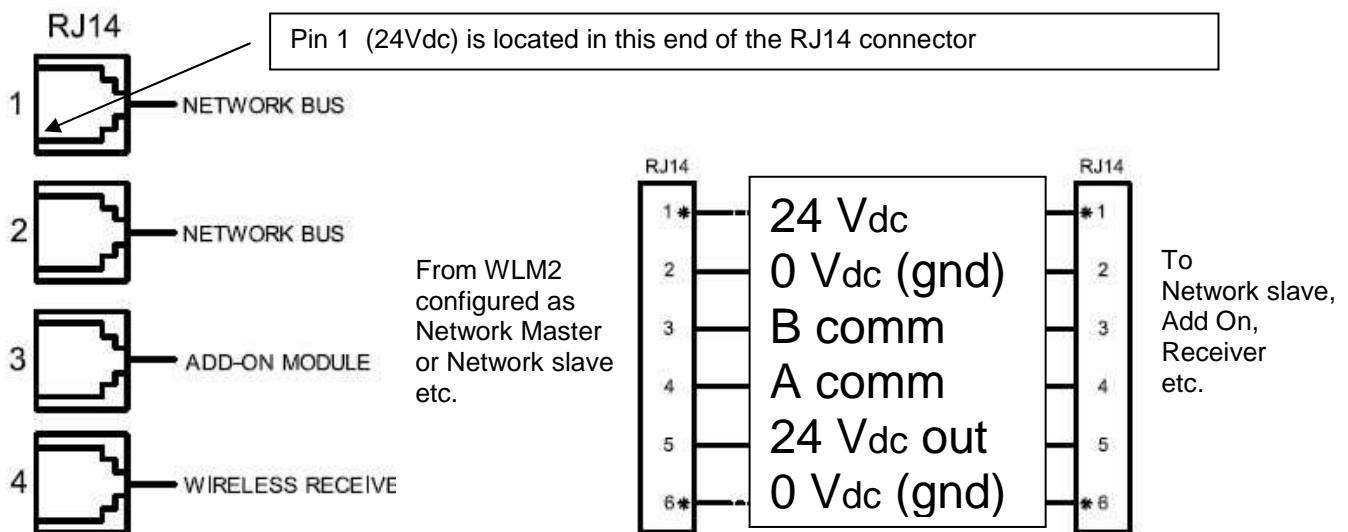
## Information on RJ14 connections.

The RJ connection used in the OJ Waterline system is Based on 6 pole RJ connectors with the following connection.

Since only 4 of these are used, and no power are drained, the connection is called RJ14.

The interface is based on a standard RS-485 hardware platform.

WLM2 Connector	Pin1*	Pin2	Pin3	Pin4	Pin5	Pin6*
Signal type	24Vdc*	GND	B (Data -)	A (Data +)	24Vdc	GND*
WLM-Net terminal colours	Not used	Black	Red	Green	Yellow	Not Used
AO cable colours	White*	Black	Red	Green	Yellow	Blue*



**PLEASE NOTE:** The illustration shows the internal WLM2 master RJ14 connections 1 to 4.

\* These connections are not necessary but are allowed

On the WLM2-xAO module only connection points 3 and 4 are supplied.