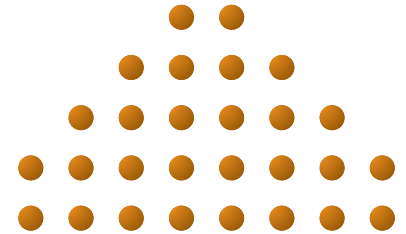
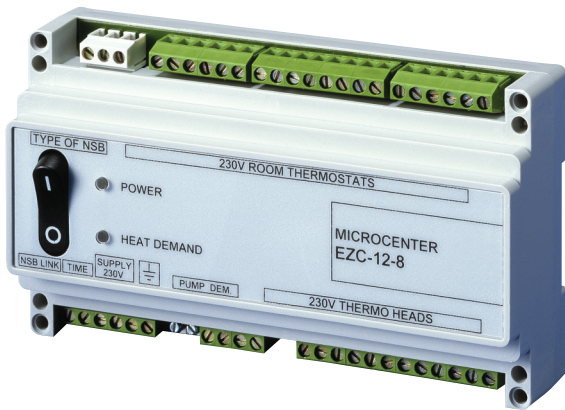


OJ Microcenter

EZC

WATERLINE MICROCENTER FOR UNDERFLOOR HEATING

Microcenter EZC-12 and EZC-32

Application

EZC microcenter is suitable for connecting multiple room thermostats and electric actuators (thermo heads) on, for example, an underfloor heating system.

- Recommended for control of underfloor heating in hydronic installations
- Connection of up to 8 thermostats
- Connection of up to 8 actuators
- Versions for 230V AC or 24V AC connection
- Demand controlled pump relay
- Demand controlled relay for heating source (boiler)
- Built-in switch
- Night setback options

FUNCTION

Time control

An external time control can be connected for either switching off the installation during night times, or for generating night setback signal to the thermostats.

Pump out

The EZC has a volt free relay output for pump control that will be energised when any connected room thermostat calls for heat.

Demand output

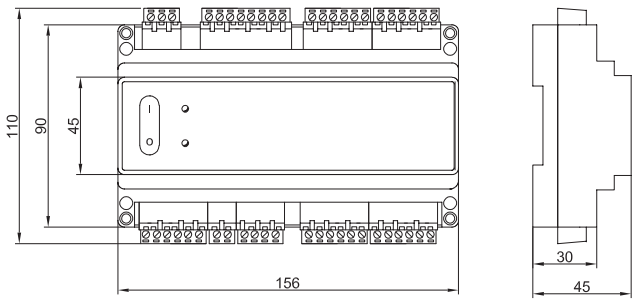
The EZC has a second volt free relay output that can be used to enable a boiler, or to open a motorised valve.

It is permissible to connect more than 1 head to a single terminal, provided that both heads are to be controlled by the same room thermostat.

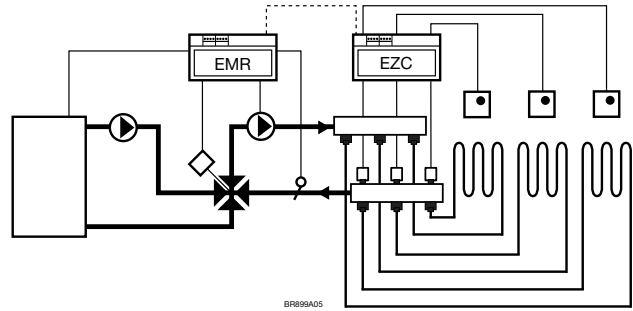
PRODUCT PROGRAMME

| SUPPLY | CONNECTIONS | | TYPE |
|---------|--------------|-------------|----------|
| | THERMO HEADS | THERMOSTATS | |
| 230V AC | 8 | 8 | EZC-12-8 |
| 230V AC | 4 | 4 | EZC-12-4 |
| 24V AC | 8 | 8 | EZC-32-8 |
| 24V AC | 4 | 4 | EZC-32-4 |

EZC Microcenter is delivered including cover type ETT-KH



Dimensions (mm)



Ezc Microcenter in combination with temperature controller type EMR

TECHNICAL DATA

| Type | Supply | Input | Output | Input time switch |
|--------------------------------|--|-------------|----------------------|-------------------|
| EZC-12-8 | 230V AC $\pm 10\%$, 50-60Hz | 8 x 230V AC | 8 x 230V AC, max. 2A | 230V AC |
| EZC-12-4 | - | 4 x 230V AC | 4 x 230V AC, max. 2A | |
| EZC-32-8 | 24V AC $\pm 10\%$, 50-60 Hz | 8 x 24V AC | 8 x 24V AC, max. 2A | 24V AC |
| EZC-32-4 | - | 4 x 24V AC | 4 x 24V AC, max. 2A | |
| Max output total for actuators | 10A | | | |
| Pump and demand relay | 2 x SPST, volt free 24V AC max 6A or 230V AC max. 6A | | | |
| Interrupter, main supply | only EZC-12-8 and EZC 32-8 | | | |

