

3
YEAR warranty

THERMOSTATS FOR COMFORT HEATING

Thermostat for Wall Mounting

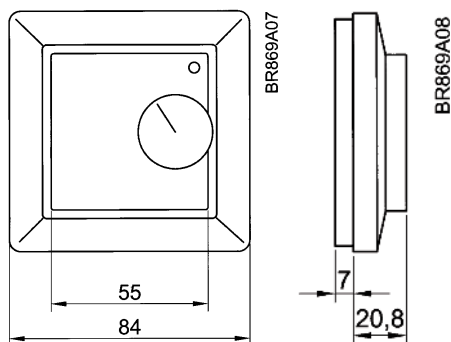
Recommended for control of hydronic underfloor heating with the EZC.

- On/off control up to 450W, 2A.
- With graduated scale, making it easy to set the required floor or room temperature.
- Built-in setback mode for automatic comfort and setback temperature via remote timer.
- Electronic thermostat for accurate temperature regulation ensuring a high comfort of the floor surface or the room temperature.
- Surface wall mounting.

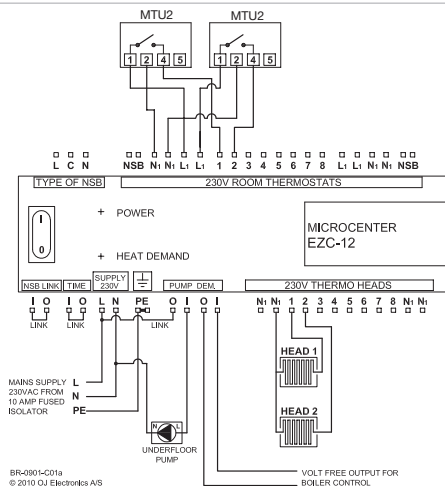
PRODUCT PROGRAMME

TYPE	PRODUCT
MTU2-1999-FHH	Thermostat with setback mode 5°C with internal room sensor
ACCESSORIES	
ETF-144/99A	Floor sensor, 3 m
ETF-944/99-H	Remote room sensor
MTC-AH	Protective cover

- **MTU2-1999-FHH: A floor sensor or a remote room sensor can be applied instead of the built-in sensor by removing a jumper placed below the front cover.**

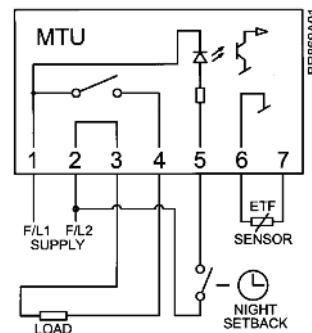


Dimensions (mm)



BR-0901-C01a
 © 2010 OJ Electronics A/S

VOLT FREE OUTPUT FOR
 BOILER CONTROL



Connections MTU

Thermostat control:

Type MTU2-FHH is an electronic on/off thermostat with control of temperature by means of an NTC sensor. The heat output is switched on and off with a difference of only 0.4°C. Red LED indicates when heating is on.

Temperature setback:

Type MTU2-FHH with setback mode 5°C which is activated with a day/week timer, e.g. MM-7595 or via an EZC. The timer is programmed with the required comfort and setback periods.

Adjustment of the thermostat:

Temperature range +5/+45°C for easy setting of required temperature.

TECHNICAL DATA

Supply voltage	230V ±10% 50/60 Hz
Power consumption	6VA
OUTPUT RELAY	230Vac, 2A, 450W
ON/OFF differential	0.4°C
Ambient operating temp.	0/+50°C
Temperature range	+5/+45°C
Temperature setback	Fixed 5°C
Error circuit fuse at	-20°C
Housing	IP20
Dimensions (H/W/D)	84/84/28 mm
Approvals	CE

OJ Thermostat program includes

- Thermostats for flush mounting
- Thermostats for wall mounting
- Thermostats for DIN-rail mounting
- Thermostats for snow melting and frost protection
- Triac thermostat and controllers from 1-44 kW
- Thermostats adjusted to the individual market's needs for design, approvals and standards for electrical material
- Control systems for hydronic underfloor heating.