

# All-in-one thermostat



## MTD3-1999-UA

- Sleek design
- Easy installation
- Energy-efficient
- ECO – directive ready
- Compliance with EN 50559

### MTD3 – the high-quality thermostat for Electric floor heating systems.

This high-quality thermostat is designed to have a minimum of impact on the environment and will at the same time provide long-lasting heating comfort.

It is the perfect choice for new installations and for replacement of outdated thermostats.

Electronic thermostat suitable for flush mounting in a standard wall socket.

With floor sensor. For optimal comfort avoiding cold tiles during spring and autumn, or as protection against damaging wooden floors.

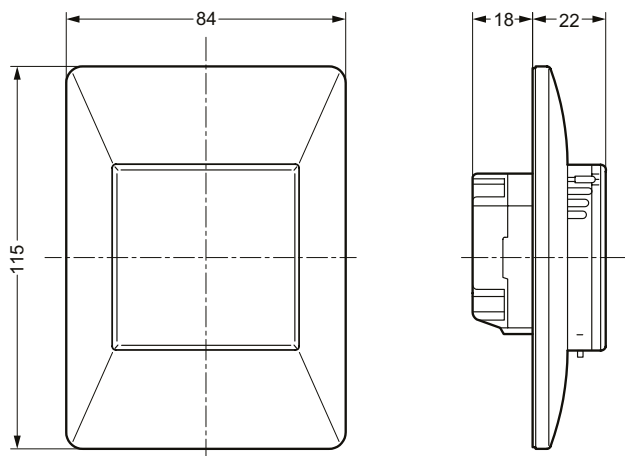
Built-in timer for automatic night setback and possibility to activate night setback or frost protection via external input.

### Product features:

MTD3 has a temperature setting range of 0-40°C, a night setback, frost protection and limit temperatures to ensure comfort and protect property from excessive temperatures.

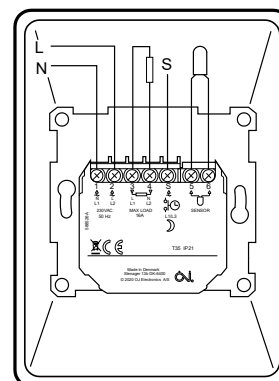
The thermostat comes with preset heating schedules suitable for most homes.

- Sleek design
- User friendly / intuitive menu
- Easy installation
- Energy-efficient
- Back-lit display
- Protective cover included
- Compliance with EN 50559 (hot spot protection)
- ECO directive ready
- Load up to 3,600W, 16A.
- Offset adjustment
- Floor sensor



Dimensioned drawing

BR1033A20a



BR1033A21c

### Thermostat control:

The MTD3 is an electronic thermostat with control of temperature by means of an NTC sensor. A symbol in the display indicates when heating is on.

### Temperature setback:

The thermostat has a built-in adjustable setback timer that can be activated.

### Temperature limitation:

MTD3 is supplied with an external floor sensor and a built-in room sensor.

The thermostat can be set for the following functions:

- Room temperature control
- Floor temperature control
- Room temperature control where the floor sensor is used as a limitation sensor. Maximum and minimum limitation temperatures can be set (e.g. max. 27°C for a wooden floor).

### Adjustment of the thermostat:

Temperature range +0/+40°C for easy setting of required temperature. The temperature range can be set with max. and min. temperatures.

### ECO Directive Ready:

The thermostat can by itself ensure that the installation fulfill the ECO Directive.

### TECHNICAL DATA

Purpose of control	Electrical underfloor heating
Method of mounting	Wall mounting in a socket or mounting box
Supply voltage	230 VAC +/-10% 50 Hz
Max. pre-fuse	16 A
Built-in interupter	2-pole, 16 A
Enclosure rating	P 21
Wire size, terminals	Current ≤ 13 A - 1.5 mm <sup>2</sup> , solid core wire Current > 13 A to 16 A - 2.5 mm <sup>2</sup> , solid core wire
ELV limits realized	SELV 24 VDC
Output relay	Make contact - SPST - NO
Output, load	Max. 16 A / 3600 W
Max. Load/supply	3600 W at 240 Vac
Control principle	PWM/PI
Standby consumption	≤0.75 W
Backup time (timer)	> 5 seconds
Dimensions	H/115, W/84, D/40 mm Build in depth <22mm Weight ≤260 g
Display	21 x 21 mm segment display
Control pollution degree	2
Overvoltage category	III
Type of action	1.B
Software class	A
Rated impulse voltage	4kV
Ball pressure temperature (TB)	125°C
EU registered design	DM/089 338
Sensor type	12KΩ NTC Max cable length: 30 meters
Sensor accuracy	< ±2°C for +5°C – +30°C
Temperature regulation	< ±0.5°C for +5°C – +30°C