

Digital Thermostat



MCD3-1999

- Highest rating according to the European Ecodesign Directive
- Possible to integrate with external control
- Contemporary design, compatible with standard wall sockets and available in several colours
- Intuitive user-interface for trouble-free programming and daily use

Worry-free thermostat for electric underfloor heating

The MCD3 is a full featured digital thermostat designed to the highest standards for control of electric underfloor heating. Meeting all requirements of the European Ecodesign Directive the MCD3 helps lower the environmental impact by eliminating power wastage.

Its flexible features will ensure keeping the indoor temperature warm and comfortable regardless of different climate and individual needs.

The MCD3 benefits from the User Centered Design approach of OJ Electronics. This grants you an effortless handling during both installation and daily use.

Energy efficient to the highest standards

Perfectly in line with the design philosophy of OJ Electronics the fully digital MCD3 controller has, without any compromise, been engineered to meet the European Ecodesign Directive for electric floor heating to the highest degree.

Therefore you are now able to bring your electric floor heating solution in compliance with the requirements without the need for buying and installing any additional controllers.

Tailoring the heating to your specific needs

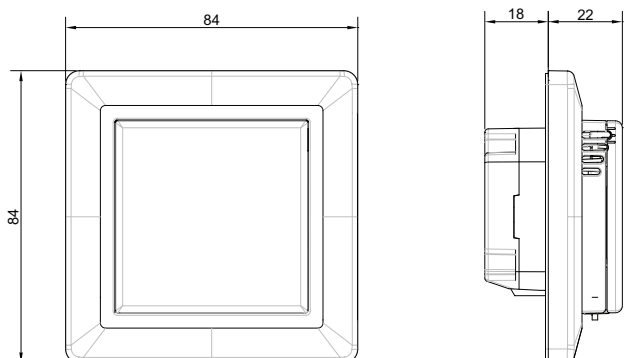
You can pre-programme the MCD3 in a number of ways which all together help you reduce your energy consumption and cost of heating.

The full flexible programming of the build in '4 Event Heating Schedule' lets you tailor the heating to your specific needs for the day and week - intuitively and hassle free.

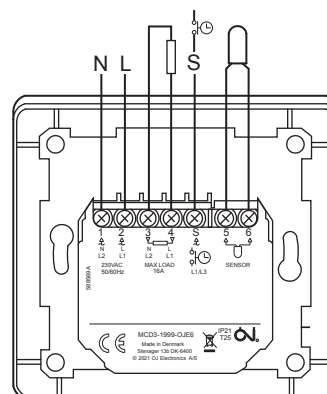
In case you change your plans, the MCD3 does not let you down. The 'Manually Override' function allows you to change the heating to match your actual needs with the push of a button.

The MCD3 also offers an intelligent 'Adaptive Start' function which automatically will adjust the heating to your specific environment. This ensures that you will be enjoying the right temperature at the right time.

With the build in 'Open Window' function activated the MCD3 helps save energy by pausing the heating when a sudden temperature drop happens e.g. when a window or a door to colder air is opened.



BR1033A12



BR1045A01

“Simplicity” the direct way to user-friendliness

The MCD3 thermostat ensures, through the most intuitive user-interface and self-explaining functions, that you can go about your day without having to worry about coming back to a cold home. “Set and forget” - while connected and programmed the MCD3 will keep using your settings to make your floor comfortably warm.

Local and remote control

The comprehensive set of build-in functions makes the MCD3 a full featured thermostat for direct control at home. You can however also choose to connect the MCD3 to a compatible external controller for remote controlling. With this option the MCD3 helps you make your electric floor heating part of your Smart Home.

Wooden floors and tiles

The MCD3 is designed to match the different characteristics of e.g., wooden floors and tile floors. While the floor sensor makes sure that tiles do not feel cold to walk on, it also helps protect wooden floors from being overheated without compromising your comfort.

The stylish choice

With its contemporary design and availability in several colours, the MCD3 pleases the eye and blends well into all homes regardless of your preference for interior design. Should the automatic dimming of the crystal-clear display not meet your requirements in full, a cover is offered for making the MCD3 become “fully invisible”.

TECHNICAL DATA

Purpose of control	Electric underfloor heating
Method of mounting	Wall mounting in a socket or mounting box
Supply voltage	230-240 VAC 50/60 Hz
Max. pre-fuse	16 A
Built-in interupter	2-pole, 16 A
Enclosure rating	P 21
Wire size, terminals	Current ≤ 13 A - 1.5 mm ² , solid core wire Current 13 A to 16 A - 2.5 mm ² , solid core wire
ELV limits realized	SELV 24 VDC
Output relay	Make contact - SPST - NO
Output, load	Max. 16 A / 3600 W
Control principle	PWM/PI
Standby consumption	≤075 W
Backup time (timer)	> 2 minutes
Dimensions	H/84, W/84, D/40 mm Build-in depth <20mm Weight <120 g
Display	21 x 21 mm LCD display
Control pollution degree	2
Overvoltage category	III
Type of action	1.B
Software class	A
Rated impulse voltage	4kV
Ball pressure temperature (TB)	125°C
EU registered design	DM/089 338
External sensor type	NTC 12 kΩ/25 C Max cable length: 30 meters
External sensor accuracy	< ±1°C for +15°C - +35°C
Operating temperature	-10°C..+40°C
Storage temperature	-30°C..+50°C