

# OJ Drives®



## OJ DV GEN II

- 4 - 15kW
- 460 - 600V three phase supply
- IM, PM motors
- Wide-range operation
- CE, UKCA, UL, CSA

### OJ DV GEN II series

OJ DV GEN II is the upgraded version of our successful series of dedicated drives for ventilation applications.

This new version is fully backwards compatible with the same power variants, which hold the exact mechanical dimensions and comes with the same Modbus and BACnet protocols.

This new generation of drives offers excellent possibilities for customisation.

### Design

The OJ DV Gen II offers a flexible installation design – they can be mounted inside or outside the airflow.

OJ DV GEN II is suitable for any system, as it can be configured specifically for your application. Adding option modules and mounting a cooling fan on the OJ DV GEN II enlarge the application use.

Moreover, the OJ DV GEN II series has been extended and can now be provided with a local user interface.

The OJ DV GEN II removable front cover design allows easy access to the connection compartment and provides sufficient space for connecting the option module cables. The OJ DV GEN II front cover facilitates safe mounting on the aluminium frame, securing the desired sealing grade.

### Controlling

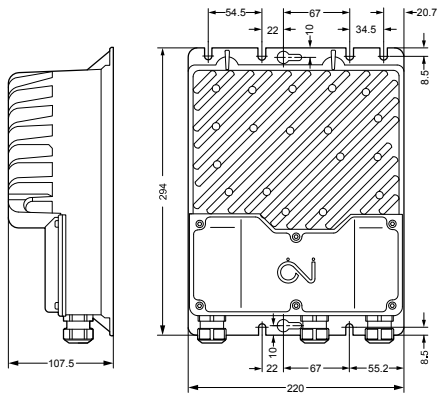
The OJ DV GEN II can be controlled using a 0-10V or a 4-20mA signal and through Modbus RTU or BACnet MS/TP. In addition, the digital input and output interfaces can be used to determine and configure the control method.

### Grid immunity

The OJ DV GEN II offers Over Voltage Detection, allowing the drives to survive in most types of grids worldwide. Our drives are robust and handle grid disturbances, such as notches, spikes and transients.

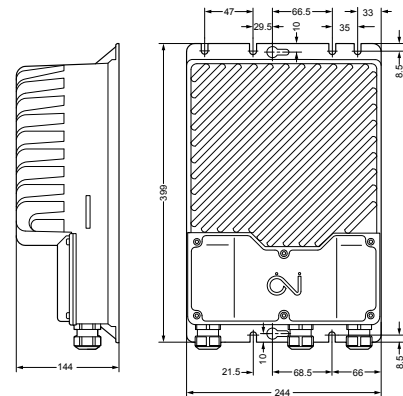
### Built-in EMC filter

The OJ DV GEN II series comes with a fully integrated EMC filter and therefore meets the emissions and immunity norms for industrial and residential areas according to EN 61800-3 (C1 and C2).



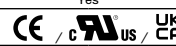
BR1014A24a

Dimensions H4



BR1014A22b

Dimensions H5

	Type	DV-6024	DV-6030	DV-6040	DV-6055	DV-6065	DV-6075	DV-3110	DV-3150	
Frame size		H4							H5	
Power size	kW	2.4	3.0	4.0	5.5	6.5	7.5	11	15	
Horsepower	Hp	3.2	4.0	5.4	7.4	8.7	10.0	12.7	20.1	
Efficiency	%	> 96.5%							> 97.5%	
<b>Power supply</b>										
Voltage	VAC	3 x 460 - 600 VAC 50/60 Hz +/-10%								
Supply current at max. load at nominal supply voltage (400V/480V)	A	3.9/3.0	4.6/3.5	6.2/4.7	8.4/6.5	9.7/7.5	11.5/8.5	23/19.1	31.1/26.1	
Power factor (cos-phi) at max. load		> 0.9								
<b>Motor output</b>										
Nominal motor power (on shaft) *1	kW	2.4	3.0	4.0	5.5	6.5	7.5	11	15	
Frequency	Hz	AC motor: 0-120   PM motor: 0-400								
Max. output voltage	Vrms	3 x 0 - 0.9 x Vin								
Max. output current	Arms	4.9	5.8	7.7	10.5	16.2	18.3	27	35.0 *2	
<b>Protection</b>										
Max. fuse	A	16							32	
Short circuit capacity	A	3500	3500	3500	3500	5000	5000	5000	5000	
FLA	A	5.2	6.6	8.7	12.0	14.2	16.4	23.8	32.5	
Motor output		Short-circuit protected between phases								
Motor		Protected by current limit								
Over-voltage protection		Yes, 700V								
Overload protection		Current and temperature overload protection								
<b>Environment</b>										
Operating temperature	°C/°F	-40°C to +50°C / -40°F to +122°F								
Starting temperature	°C/°F	-40°C to +50°C / -40°F to +122°F								
Storage temperature	°C/°F	-40°C to +70°C / -40°F to +158°F								
Protection rating		IP 54 & 65 / NEMA 4x								
Enclosure material		Aluminium								
Front cover		Plastic								
Weight	kg	3.0			3.9			9.5		
Humidity	% rh	10-95% rh, non-condensing								
Surface		Corrosion resistant to EN/ISO 12944-2:1998 Category C4								
Air flow / cooling		Turbulent air speed of min. 3 m/s to achieve max. output power at max. ambient temperature. Turbulent air speed below 3m/s and higher ambient temperature might lead to reduced output power. (3m/s turbulent air speed is equivalent to 6.5m/s laminar air speed)								
<b>Interfaces</b>										
Field bus		Modbus RTU , BACnet MS/TP								
Analogue Inputs		1 input 0-10 VDC 4-20mA PWM								
Analogue Output		1 output +10 VDC or +24 VDC								
Digital Inputs		2 inputs Internal pull-up to +24VDC								
Digital Output		1 output Open collector, Internal pullup to +10 VDC or +24 VDC								
Status LED		Green/yellow/red								
<b>Features</b>										
Technology		Sinusoidal back-EMF signal controlled via FOC (Field Oriented Control)								
Software updating		Yes, via serial interface								
Motor parameters		Preprogrammed by OJ or on-site configuration								
Short-circuit protection		Yes								
Integrated EMC filters		Yes								
<b>Approvals</b>										
EMC		EN/BS 61800-3 (C1 & C2)								
LVD		EN/BS 61800-5-1 / UL 61800-5-1								
Product standard		EN/BS 61800 Part 2								
North America		UL -61800-5-2 / CS22.2.174								
Overvoltage category		III								
Pollution degree		2								
High over See		2000m								
Supply earthing system		TN / TT / IT								
RoHS Directive		Yes								
Product approvals										

Note: Data are valid at: nominal supply voltage, +25°C and sufficient air flow  
 \* 1: Motor Power Factor = 0.8 and efficiency = 90% / \* 2: H5 OGF variant is limited to 32A