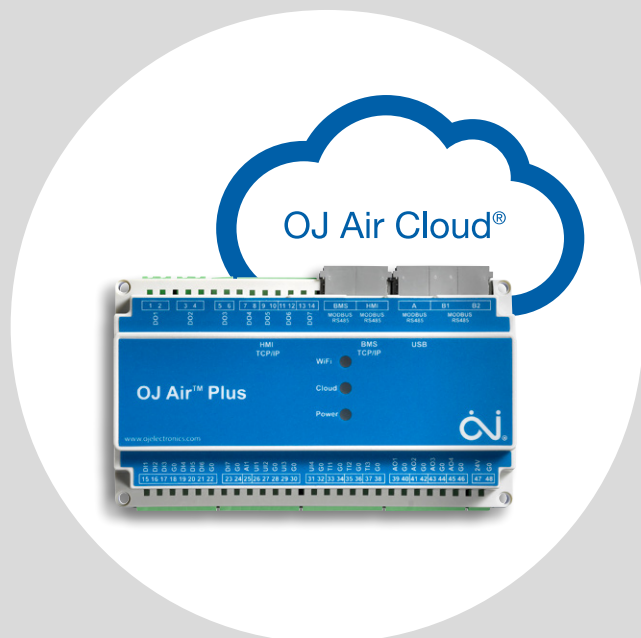


OJ Air AHU control system



OJ Air™ Plus

- Ready to configure
- Five user profiles
- WiFi access point
- Drag-and-drop wizard
- OJ Air Cloud® service

OJ Air Plus system

The OJ Air Plus system has been specially designed to control a wide range of air handling units and forms a complete control system, where optional components, BMS and Cloud service are seamlessly integrated and optimized.

The OJ Air™ Plus is the system's central controller – pre-programmed for approximately 90% of all known applications and easily configured via a drag-and-drop wizard. Built-in flexibility and a comprehensive range of optional system components give you a versatile control solution for your current and future AHU portfolio.

The OJ Air Plus system can be scaled to meet your customers' needs, and is designed to ensure efficient installation, fast AHU commissioning, energy-efficient operation, and minimum maintenance costs.

User-centric interface

The built-in web server features five user profiles that have been specially developed based on end-user research. This puts your customer in the driver's seat and enables fast, efficient and a error-free interaction – so that service staff can hit the ground running. Advanced settings for indoor climate and energy savings are only accessible for more skilled personnel. Experts have access to dedicated features such as commissioning reports and settings.

More flexible access

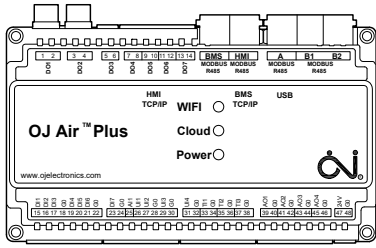
The built-in web server can be accessed anytime from anywhere via our secure OJ Air Cloud service, ensuring fast and efficient service support. Facility managers can access the web server from a local IT network or via a touch panel connected directly to the controller. Thanks to built-in Wifi, service staff can even access the system via their own tablet device. There is no need for security approval or even access to the customer's network, since the unit's HMI and BMS ports operate on two different networks.

Packed with ports

The OJ Air Plus bundle of classic IO, universal IO, and communication ports supports a large part of the AHU market. Built-in Modbus drivers for a range of commercially available plug fans and actuators make it easy to benefit from a seamless digital bus inside the Air Handling Unit. The comprehensive range of OJ Electronics QuickPlug™ Modbus drives, sensors and IO extensions makes it easy to adapt your AHU to current and future customer needs.

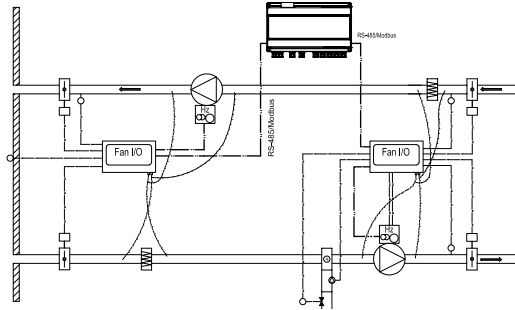
The OJ Air family

The OJ Air™ Plus supports all OJ Air2Master applications and then some. Since the OJ Air™ Plus features a higher IO count, migration from OJ-Air2Master to OJ Air™ Plus can be as simple as just reassigning IO terminals and wiring. Upgrading an OJ Air AHC-3000 system to OJ Air Plus system is also very easy, since all IOs are physically mapped the same way. You only need to replace a single connector.



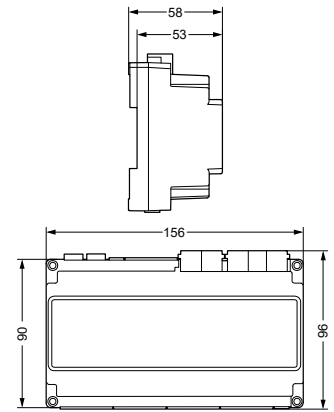
BR-10G2A10a

Connection



BR-096A01a

Application example



BR-0970A04a

Dimensioned drawing

Unit installation

The OJ Air™ Plus is mounted on 35mm DIN rails in an enclosure with the appropriate classification for the location where it is installed. The control must be supplied with 24 V AC or 24 V DC power.

PRODUCT PROGRAMME

TYPE	PRODUCT
AHU controller	
OJ-Air-Plus-A3	OJ Air™ Plus AHU controller AC/DC
OJ-Air-Plus-A6	OJ Air™ Plus AHU controller DC
OJ-Air-PLUS CONNECT	OJ Air Plus Mating connect kit
HMI touch panels	
OJ-AIR-PLUS-HMI-35T	OJ Air Plus Touch HMI 3.5"
OJ-Air2-HMI-20T	OJ-Air2 Touch screen
IO extension modules	
OJ-Air2Ext	QuickPlug™ I/O Add-on module
OJ-Air2Ext45	QuickPlug™ I/O Add-on module
Sensors - air quality, pressure, temperature	
VTH-6202	QuickPlug™ VOC transmitter
HTH-6202	QuickPlug™ Humidity transmitter
PTH-3202	Pressure transmitter
PTH-6202	QuickPlug™ Pressure transmitter
PTH-6202-2	QuickPlug™ Dual pressure transmit./temp.
OJ-Air2FANIO	QuickPlug™ Dual pressure transmitter/I/O
OJ-Air2FANIO21	QuickPlug™ Dual pressure transmitter/I/O
TTH-6202	QuickPlug™ Duct temperature sensor Modbus
TTH-6040-W	QuickPlug™ Room temperature transmitter
TTH-6040-O	QuickPlug™ Outside temperature transmitter
ETF-xx98	PT-1000 Temperature sensor
ETF-xx22/44	NTC 12K Temperature sensor
OJ Drives®	
OJ-DV	QuickPlug™ Drives for ventilation fans
OJ-DC	QuickPlug™ Drives for compressors
OJ-DRHX	QuickPlug™ Motor control for rotor heat recovery
Accessories	
OJ-AIR2SPLIT	Cable adapter
OJ-Air2PWR80	230 V to 2 x 24 V AC Transformer

TECHNICAL DATA

Data for OJ-Air-Plus-A3

Supply voltage	24VDC or 24VAC (nominal)
Supply range	23.0VDC to 30.0VDC or 24VAC +/-10% 50/60Hz
Load on port B1 and B2 in total	+24VDC output, max. 260mA

Data for OJ-Air-Plus-A6

Supply voltage	24VDC only (nominal)
Supply range	24VDC +/-5%
Load on port B1 and B2 in total	+24VDC output, max. 2500mA

Electrical connection	Screw terminals 1 – 4: Max. 4mm ² Screw terminals 5 - 48: Max. 1.5mm ²
OJ Air Cloud®	Via TCP/IP port
BMS protocols	BACnet TCP/IP Modbus TCP/IP Modbus RTU
BMS TCP/IP port	10/100Mbit Ethernet, RJ45 socket
HMI TCP/IP port	10/100Mbit Ethernet, RJ45 socket
WiFi	IEEE 802.11b/g Open/WPA2 PSK
Modbus RS485 port	5 x RJ12 (6P6C)
USB port	USB 2.0 /USB 1.1 max. 100mA
Universal inputs	4 Digital/Analogue/Sensor
Digital inputs	7 (11) x internal pull-up 2 x potential free contact relay, 230 V AC 3A/ 24 V DC 3 A, 5 x potential free contact relay, 24 V AC/DC 3A
Digital outputs	
Analogue inputs	1 (5) x 0-10V
Analogue outputs	4 x 0-10V
Sensor inputs	3 (7) x PT-1000 / NTC 12K
Ambient temperature, operation	-40/+50°C
Ambient temperature, storage	-50/+70°C
Dimensions	156 x 96 x 58 mm
Enclosure	IP20, ABS
Weight	312g

CE marking

OJ Air™ Plus complies with the requirements of the following directives:
 EMC Directive: EN 61000-6-2, EN 61000-6-3
 Low Voltage Directive: EN 60730-1
 The RED Directive: ETSI EG 203 367

OJ cannot be held liable for any errors in the material. OJ reserves the right to alter its products without notice. This also applies to products already on order, provided that such alterations can be made without requiring subsequent changes in specifications already agreed. The contents of this material may be subject to copyright and other intellectual property rights and is either the property of or used under license by OJ Electronics. The OJ trademark is a registered trademark of OJ Electronics.