

OJ Air Plus Touch Control Panel



OJ-Air-Plus-HMI-35T

- OJ Air Plus compatible
- Intuitive user interface
- 3.5" colour touchscreen
- 12 languages
- Optional bumper cover

OJ Air Plus touch control panel

OJ-Air-Plus-HMI-35T is a user-friendly control panel for installation on an air handling unit or on the wall in a room. The panel is used together with an OJ Air™ Plus AHU controller. It has been developed by interaction designers, resulting in easy and intuitive operation. The menus are logical, easy to navigate and have easily recognisable symbols.

OJ-Air-Plus-HMI-35T is used for everyday operation of the air handling unit and in connection with service. All system values can be seen while the settings are password protected.

Intuitive touch operation

Want to change the temperature setting? Then simply tap the temperature shown on the screen and enter the new setpoint. It has never been easier, and the entire menu system is designed according to the same principle.

No secrets

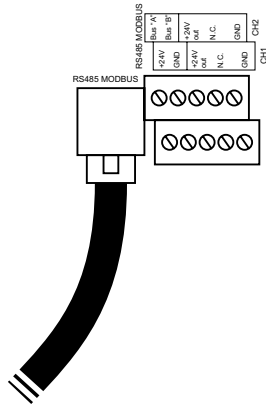
All values are visible to everyone, and a complete overview of system operation is provided for users in clear displays. Settings which are only of relevance for installers and service technicians are, however, password protected.

12 languages

The HMI is ready for your current and future markets. 12 European and Nordic languages are included. You will always have the right version on stock, since the HMI is automatically updated from the OJ Air™ Plus controller.

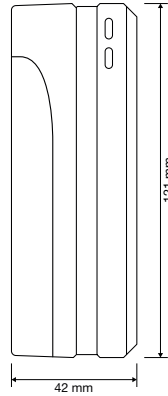
Complete overview of components

Does the filter need to be replaced? Simply tap the filter icon for an immediate answer. Other components of the air handling unit work in the same intuitive way. The status of fans and temperature control are always at hand.



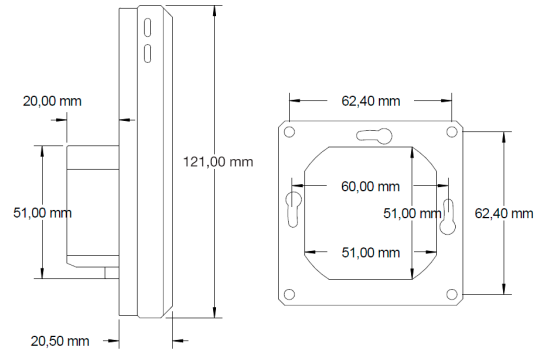
Connection

BR1029A18a



Dimensioned drawing

BR1029A19b



Dimensioned drawing

BR1029A014b

Bumper cover

The optional bumper cover protects the HMI against damage if it's handheld. The built-in magnets makes it easy to place the HMI on the outside of your Air Handling Unit.

Installing the control panel

OJ-Air-Plus-HMI-35T should be flush mounted in a wall box approximately 1.5 m above the floor. Or the accompanying back cover can be used if the panel is to be held in the hand or hung on the wall.

Cable connections

OJ-Air-Plus-HMI-35T is connected to the OJ Air™ Plus controller with a Quick Plug™ Modbus connection using standard telecom cable, e.g. INEC TD6006, fitted with RJ12 connectors. Alternatively, cables can be connected to screw terminals, in which case the wires must be max. 1 mm².

PRODUCT PROGRAMME

| TYPE | PRODUCT |
|---------------------|---------------------------------|
| OJ-Air-Plus-HMI-35T | OJ Air Plus touch control panel |
| OJ-HMI-Bumper-Cover | Magnetic and protective cover |
| OJ-Air-Plus-x | AHU controller |

TECHNICAL DATA

| | |
|-------------------------------|---|
| Display | 3.5" TFT colour touchscreen |
| Languages | Danish, Dutch, English, Finnish, French, German, Italian, Norwegian, Polish, Russian, Spanish, Swedish. |
| Supply voltage | 24 V DC ±10% |
| Power consumption | <0.9 W |
| Electrical connection | screw terminals, max. 1 mm ² |
| QuickPlug™ Modbus | 1 x RJ12 (6P6C) |
| Ambient operating temperature | -10/+40°C |
| Dimensions | 80 x 121 x 42 mm |
| Installation depth | 22 mm |
| Enclosure | IP20 |
| Weight | 190 g |

CE marking

OJ-Air-Plus-HMI-35T meets the requirements of the following directives:

EMC Directive EN 61000-6-2, EN 61000-6-3